

DIGITAL SOUND PROJECTOR YSP-3000/YSP-30D/ HTY-7030 SERVICE MANUAL

IMPORTANT NOTICE

This manual has been provided for the use of authorized YAMAHA Retailers and their service personnel. It has been assumed that basic service procedures inherent to the industry, and more specifically YAMAHA Products, are already known and understood by the users, and have therefore not been restated.

WARNING: Failure to follow appropriate service and safety procedures when servicing this product may result in personal injury, destruction of expensive components, and failure of the product to perform as specified. For these reasons, we advise all YAMAHA product owners that any service required should be performed by an authorized YAMAHA Retailer or the appointed service representative.

IMPORTANT: The presentation or sale of this manual to any individual or firm does not constitute authorization, certification or recognition of any applicable technical capabilities, or establish a principle-agent relationship of any form.

The data provided is believed to be accurate and applicable to the unit(s) indicated on the cover. The research, engineering, and service departments of YAMAHA are continually striving to improve YAMAHA products. Modifications are, therefore, inevitable and specifications are subject to change without notice or obligation to retrofit. Should any discrepancy appear to exist, please contact the distributor's Service Division.

WARNING: Static discharges can destroy expensive components. Discharge any static electricity your body may have accumulated by grounding yourself to the ground buss in the unit (heavy gauge black wires connect to this buss).

IMPORTANT: Turn the unit OFF during disassembly and part replacement. Recheck all work before you apply power to the unit.

■ CONTENTS

TO SERVICE PERSONNEL	2	SELF-DIAGNOSTIC FUNCTION /	
FRONT PANELS	3	ダイアグ (自己診断機能)	30-51
REAR PANELS	4	DISPLAY DATA	52
BOTTOM PANEL	5	IC DATA	53-62
REMOTE CONTROL PANELS	5	BLOCK DIAGRAM	63
SPECIFICATIONS / 参考仕様	6-7	PRINTED CIRCUIT BOARDS	64-75
INTERNAL VIEW	7	PIN CONNECTION DIAGRAMS	76-77
SET MENU TABLE / セットメニュー	8	SCHEMATIC DIAGRAMS	79-86
SERVICE PRECAUTIONS / サービス時の注意事項	9	REPLACEMENT PARTS LIST	87-107
DISASSEMBLY PROCEDURES / 分解手順	9-17	REMOTE CONTROL	108-110
UPDATING FIRMWARE /		ADJUSTING SYSTEM PARAMETERS /	
ファームウェアの書き込み	18-29	拡張メニュー	111-115



このサービスマニュアルは、エコマーク認定の再生紙を使用しています。
This Service Manual uses recycled paper.

101059

© 2007 YAMAHA CORPORATION All rights reserved.
This manual is copyrighted by YAMAHA and may not be copied or
redistributed either in print or electronically without permission.



YAMAHA

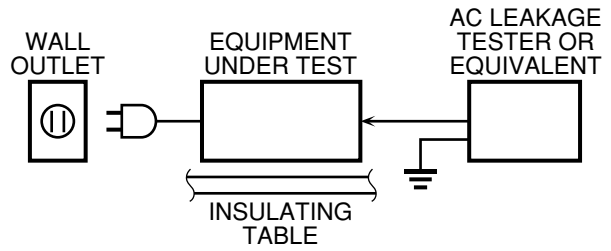
YAMAHA CORPORATION
P.O.Box 1, Hamamatsu, Japan

07.10

YSP-3000/YSP-30D/
HTY-7030

■ TO SERVICE PERSONNEL

1. Critical Components Information
Components having special characteristics are marked ⚠ and must be replaced with parts having specifications equal to those originally installed.
 2. Leakage Current Measurement (For 120V Models Only)
When service has been completed, it is imperative to verify that all exposed conductive surfaces are properly insulated from supply circuits.
- Meter impedance should be equivalent to 1500 ohms shunted by 0.15μF.



- Leakage current must not exceed 0.5mA.
- Be sure to test for leakage with the AC plug in both polarities.



For U model

“CAUTION”

“F501: FOR CONTINUED PROTECTION AGAINST RISK OF FIRE, REPLACE ONLY WITH SAME TYPE 4A, 125V FUSE.”

For C model

CAUTION

F501: REPLACE WITH SAME TYPE 4A, 125V FUSE.

ATTENTION

F501: UTILISER UN FUSIBLE DE RECHANGE DE MÊME TYPE DE 4A, 125V.

WARNING: CHEMICAL CONTENT NOTICE!

This product contains chemicals known to the State of California to cause cancer, or birth defects or other reproductive harm.

DO NOT PLACE SOLDER, ELECTRICAL/ELECTRONIC OR PLASTIC COMPONENTS IN YOUR MOUTH FOR ANY REASON WHAT SO EVER!

Avoid prolonged, unprotected contact between solder and your skin! When soldering, do not inhale solder fumes or expose eyes to solder/flux vapor!

If you come in contact with solder or components located inside the enclosure of this product, wash your hands before handling food.

About lead free solder / 無鉛ハンダについて

All of the P.C.B.s installed in this unit and solder joints are soldered using the lead free solder.

Among some types of lead free solder currently available, it is recommended to use one of the following types for the repair work.

- Sn + Ag + Cu (tin + silver + copper)
- Sn + Cu (tin + copper)
- Sn + Zn + Bi (tin + zinc + bismuth)

Caution:

As the melting point temperature of the lead free solder is about 30°C to 40°C (50°F to 70°F) higher than that of the lead solder, be sure to use a soldering iron suitable to each solder.

本機に搭載されているすべての基板およびハンダ付けによる接合部は無鉛ハンダでハンダ付けされています。

無鉛ハンダにはいくつかの種類がありますが、修理時には下記のような無鉛ハンダの使用を推奨します。

- ・ Sn+Ag+Cu(錫+銀+銅)
- ・ Sn+Cu(錫+銅)
- ・ Sn+Zn+Bi(錫+亜鉛+ビスマス)

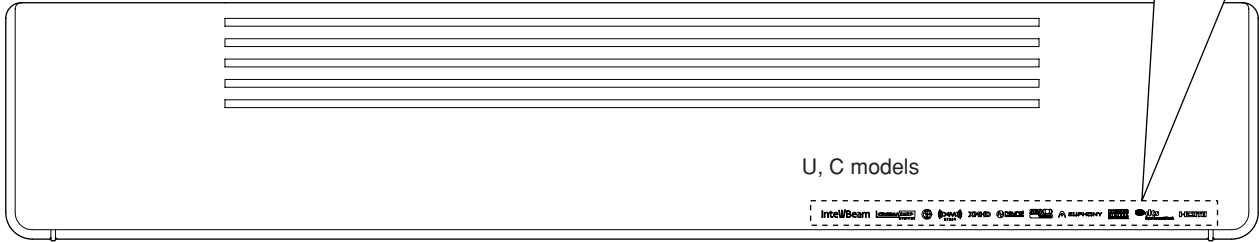
注意：

無鉛ハンダの融点温度は通常の鉛入りハンダに比べ30～40℃程度高くなっていますので、それぞれのハンダに合ったハンダごてをご使用ください。

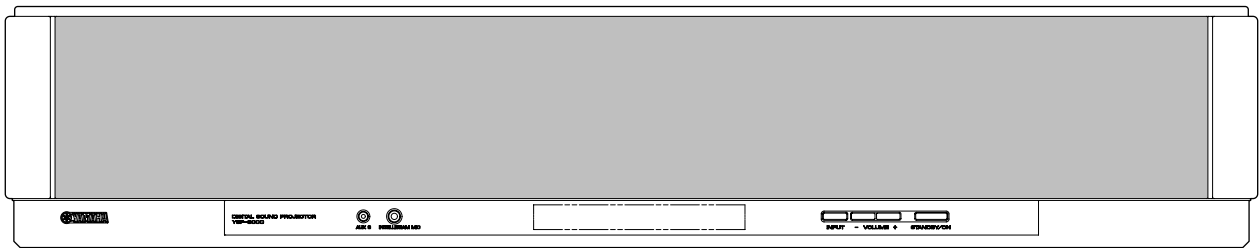
FRONT PANELS

YSP-3000 (U, C, K, A, G, E, L, V, J models)

Top view

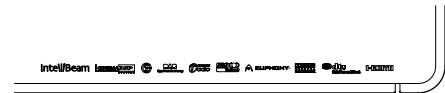


Front view

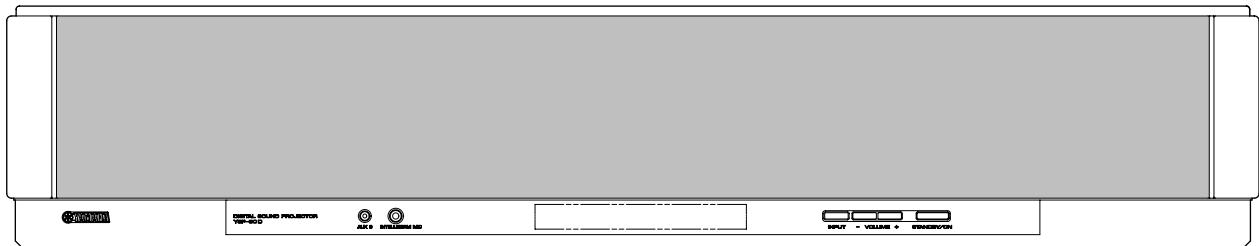


YSP-30D (B model)

Top view



Front view

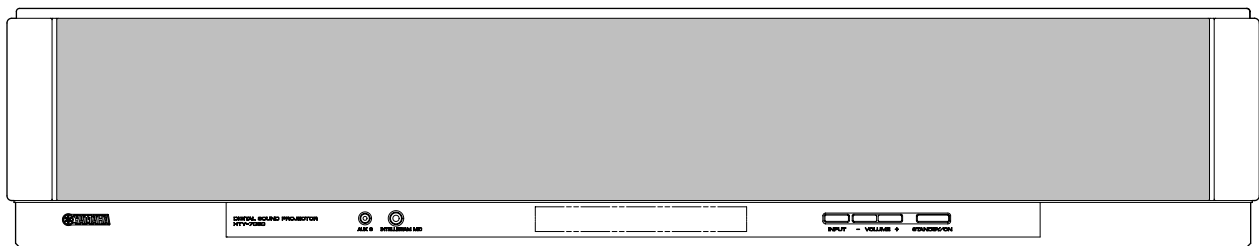


HTY-7030 (G, E models)

Top view



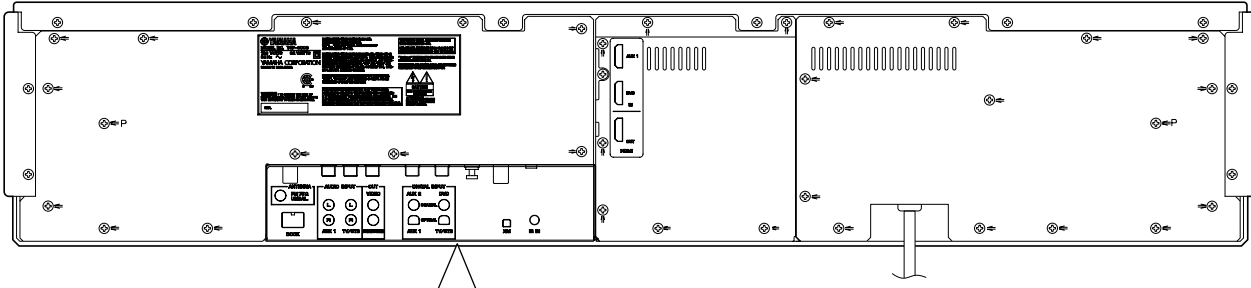
Front view



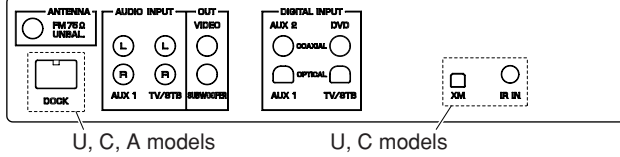
YSP-3000/YSP-30D/
HTY-7030

REAR PANELS

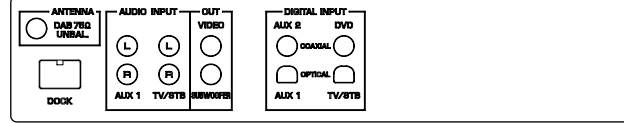
YSP-3000 (U, C models)



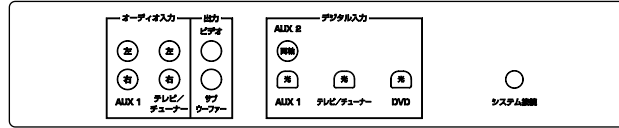
YSP-3000 (U, C, K, A, G, E, L, V models) HTY-7030 (G, E models)



YSP-30D (B model)



YSP-3000 (J model)



(K model)

YAMAHA CORPORATION
MODEL NO. YSP-3000
220-240 VOLTS
32 WATTS 60/80 Hz ~

MADE IN MALAYSIA

MANUFACTURED UNDER LICENSE FROM DOLBY LABORATORIES. "DOLBY", "PRO LOGIC", AND THE DOUBLE-D SYMBOL ARE TRADEMARKS OF DOLBY LABORATORIES.

"TheBass" TECHNOLOGY IS INCORPORATED UNDER LICENSE FROM SRS LABS, INC.

(A model)

YAMAHA CORPORATION
MODEL NO. YSP-3000
220-240 VOLTS
32 WATTS 60/80 Hz ~

MADE IN MALAYSIA

MANUFACTURED UNDER LICENSE FROM DOLBY LABORATORIES. "DOLBY", "PRO LOGIC", AND THE DOUBLE-D SYMBOL ARE TRADEMARKS OF DOLBY LABORATORIES.

"TheBass" TECHNOLOGY IS INCORPORATED UNDER LICENSE FROM SRS LABS, INC.

(G, E models)

YAMAHA CORPORATION
MODEL NO. YSP-3000
220-240 VOLTS
32 WATTS 60/80 Hz ~

MADE IN MALAYSIA

MANUFACTURED UNDER LICENSE FROM DOLBY LABORATORIES. "DOLBY", "PRO LOGIC", AND THE DOUBLE-D SYMBOL ARE TRADEMARKS OF DOLBY LABORATORIES.

"TheBass" TECHNOLOGY IS INCORPORATED UNDER LICENSE FROM SRS LABS, INC.

(L model)

YAMAHA CORPORATION
MODEL NO. YSP-3000
220-240 VOLTS
32 WATTS 60/80 Hz ~

MADE IN MALAYSIA

MANUFACTURED UNDER LICENSE FROM DOLBY LABORATORIES. "DOLBY", "PRO LOGIC", AND THE DOUBLE-D SYMBOL ARE TRADEMARKS OF DOLBY LABORATORIES.

"TheBass" TECHNOLOGY IS INCORPORATED UNDER LICENSE FROM SRS LABS, INC.

(V model)

YAMAHA CORPORATION
MODEL NO. YSP-3000
110-120 VOLTS
32 WATTS 60/80 Hz ~

MADE IN MALAYSIA

MANUFACTURED UNDER LICENSE FROM DOLBY LABORATORIES. "DOLBY", "PRO LOGIC", AND THE DOUBLE-D SYMBOL ARE TRADEMARKS OF DOLBY LABORATORIES.

"TheBass" TECHNOLOGY IS INCORPORATED UNDER LICENSE FROM SRS LABS, INC.

(J model)

YAMAHA CORPORATION
MODEL NO. YSP-3000
100V 38W 60/80Hz

MADE IN MALAYSIA

MANUFACTURED UNDER LICENSE FROM DOLBY LABORATORIES. "DOLBY", "PRO LOGIC", AND THE DOUBLE-D SYMBOL ARE TRADEMARKS OF DOLBY LABORATORIES.

"TheBass" TECHNOLOGY IS INCORPORATED UNDER LICENSE FROM SRS LABS, INC.

YSP-30D

(B model)

YAMAHA CORPORATION
MODEL NO. YSP-30D
220-240 VOLTS
32 WATTS 60/80 Hz ~

MADE IN MALAYSIA

MANUFACTURED UNDER LICENSE FROM DOLBY LABORATORIES. "DOLBY", "PRO LOGIC", AND THE DOUBLE-D SYMBOL ARE TRADEMARKS OF DOLBY LABORATORIES.

"TheBass" TECHNOLOGY IS INCORPORATED UNDER LICENSE FROM SRS LABS, INC.

HTY-7030

(G, E models)

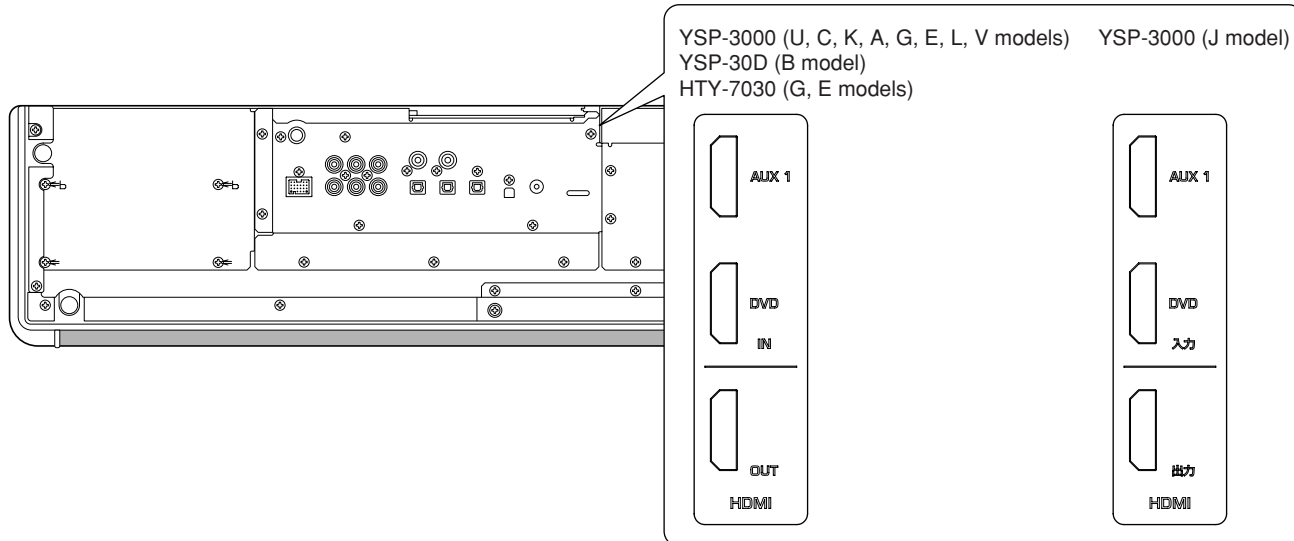
YAMAHA CORPORATION
MODEL NO. HTY-7030
220-240 VOLTS
32 WATTS 60/80 Hz ~

MADE IN MALAYSIA

MANUFACTURED UNDER LICENSE FROM DOLBY LABORATORIES. "DOLBY", "PRO LOGIC", AND THE DOUBLE-D SYMBOL ARE TRADEMARKS OF DOLBY LABORATORIES.

"TheBass" TECHNOLOGY IS INCORPORATED UNDER LICENSE FROM SRS LABS, INC.

■ BOTTOM PANEL



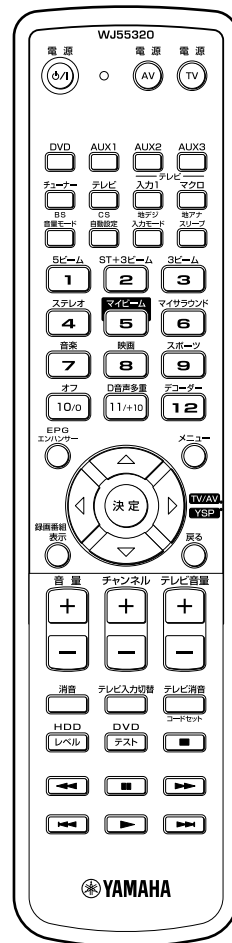
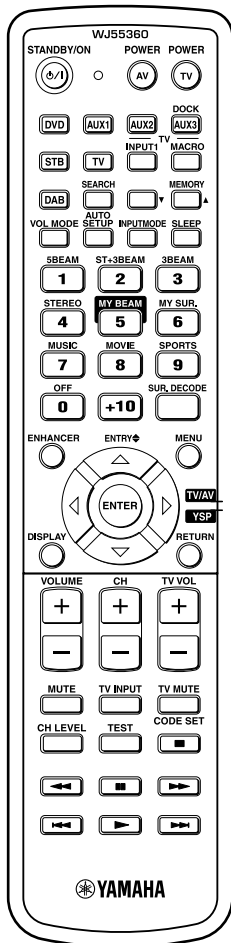
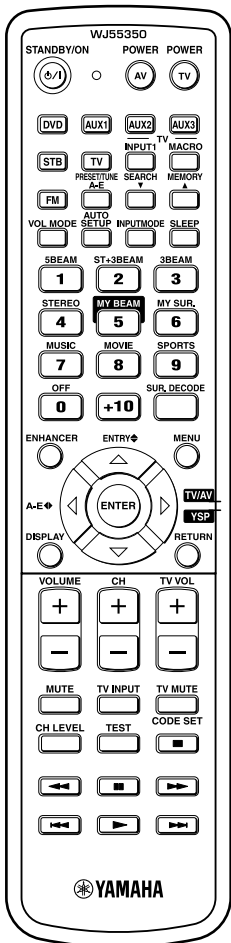
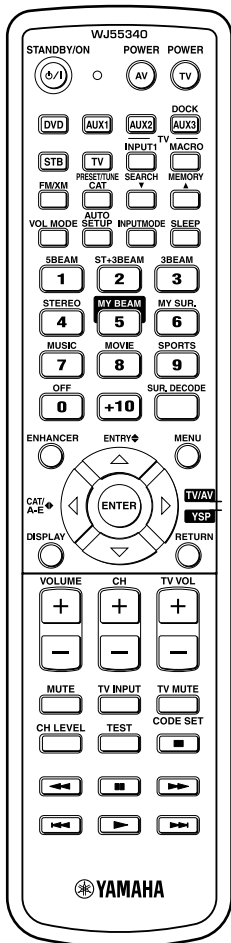
■ REMOTE CONTROL PANELS

YSP-3000
(U, C models)

YSP-3000
(K, A, G, E, L, V models)
 HTY-7030
(G, E models)

YSP-30D
(B model)

YSP-3000
(J model)



YSP-3000/YSP-30D/
HTY-7030

■ SPECIFICATIONS / 参考仕様

■ Amplifier Section / アンプ部

Maximum Power / 実用最大出力 (EIAJ) [4 ohms, 10% THD]
 Woofer [100 Hz] 20 W/ch
 Tweeter [1 kHz] 2 W/ch

Total Maximum Output Power / 総合最大出力
 82 W

Minimum RMS Output Power (Power Amp. Section) / 定格出力 (パワーアンプ部) [4 ohms, 0.9% THD]
 Woofer [100 Hz] 14 W/ch
 Tweeter [1 kHz] 1.7 W/ch

Input Sensitivity/Impedance / 入力感度/インピーダンス
 Analog input 1.0 Vrms / 32 k-ohms

Maximum Input Signal / 最大許容入力 [1 kHz, 0.5% THD]
 Analog input 2.2 Vrms or more

Output Level/Impedance / 出力電圧/出力インピーダンス
 Woofer PRE OUT 1.5 Vrms / 1.1 k-ohms (less than 120 Hz)

Total Harmonic Distortion / 全高調波歪率 [1 W]
 Woofer [100 Hz] 0.2% or less
 Tweeter [1 kHz] 0.1% or less

■ Video Section / ビデオ部

OSD Out / オンスクリーンディスプレイアウト
 1 Vp-p/75 ohms

■ Speaker Section / スピーカー部

Type / 型式 2-way acoustic suspension
 Magnetic shielding type

Driver / スピーカーユニット
 Woofer 10 cm (4") cone x 2
 Tweeter 4 cm (1.5") cone x 21

Frequency Response / 再生周波数帯域
 -10 dB, STEREO mode 60 Hz to 20 kHz

Crossover Frequency / クロスオーバー周波数
 Beam channel 400 Hz
 Stereo channel 1 kHz

■ Input/Output / 入力/出力

Audio Input Jack / 入力端子
 Analog
 TV/STB, AUX1, AUX3 / テレビ/チューナー、AUX1、AUX3
 Digital (optical) (Fs= 32 / 44.1 / 48 / 64 / 88.2 / 96 kHz)
 TV/STB, AUX1 / テレビ/チューナー、AUX1、DVD
 Digital (coaxial) (Fs= 32 / 44.1 / 48 / 64 / 88.2 / 96 kHz)
 AUX2, DVD / AUX2

Tuner/Broadcast Input Jack / チューナー入力端子
 U, C, K, A, G, E, L, V models FM antenna
 U, C models XM antenna
 B model DAB antenna

Microphone Input Jack / マイク入力
 For intellibeam / インテリビーム用

Output Jack / 出力端子
 OSD video out (composite) / OSD用コンポジット映像信号
 U, C, K, V, J models NTSC
 A, B, G, L models PAL
 Subwoofer PRE OUT

HDMI Input/Output / HDMI入出力
 Input DVD, AUX1
 Output OUT

iPod Connection
 U, C, A, B models DOCK

IR In
 U, C models Monoral mini jack (wired remote control)

System Connector / システム接続
 J model Monoral mini jack (サブウーファーON/OFF連動用)

■ Function Section / 機能部

Decode Format / デコードフォーマット
 Dolby Digital,
 Dolby Pro Logic, Dolby Pro Logic II (Movie, Music, Game)
 dts, dts Neo6 (Cinema, Music)
 AAC (J model), Neural surround (U, C models)

Beam Mode / ビームモード
 5Beam, Stereo + 3Beam, 3Beam, Stereo / 5ch stereo
 My Beam, My surround

Cinema DSP / シネマDSP
 Music / Movie / Sports / OFF

Music Enhancer / ミュージックエンハンサー
 Music Enhancer

Bass Extension / 低音増強 SRS TruBass

Volume Mode / 音量モード
 Night Listening Enhancer / ナイトリスニングモード
 TV EQUAL / テレビ音量一定モード

Menu Display Language / メニュー表示言語
 English, French, German, Spanish, Italy,
 Dutch, Russian, Japanese (J model)

Beam Setting Method / ビーム調整モード
 Auto setup, Manual setup

FM Tuning Range / FM受信周波数範囲
 U, C, L, V models 87.5 to 107.9 MHz
 K, A, G, E models 87.50 to 108.00 MHz

RDS
 G, E models PS / PTY / RT / CT

■ HDMI

HDMI Specification / HDMI規格 Version 1.3a

Audio Format / 音声フォーマット
 CD, DVD-video (Dolby Digital, DTS)

Content Protection / 著作権保護
 HDCP

* HDMI interface of this unit is based on the following standard:
 HDCP (High-bandwidth Digital Content Protection System) licensed
 by Digital Content Protection, LLC.

本機のHDMIは著作権保護技術 (HDCP: High-bandwidth Digital
 Content Protection System) に対応しています。

Video Format / 映像フォーマット
 640 x 480p, 720 x 480i, 720 x 576i, 720 x 480p,
 720 x 576p, 1920 x 1080i, 1280 x 720p, 1920 x 1080p

Link Function / リンク機能
 HDMI control
 U, C models EZ sync support
 K, A, B, G, E, L, V, J models VIERA link

■ General / 総合

Power Supply / 電源電圧

U, C models AC 120 V, 60 Hz
 K, A, B, G, E, L models AC 220-240 V, 50/60 Hz
 V model AC 110-120 V, 50/60 Hz
 J model AC 100V, 50/60 Hz

Power Consumption / 消費電力

U, C, K, A, B, G, E, L, V models 32 W
 J model 38 W

Standby Power Consumption (Reference Data) / 待機時消費電力(参考値)

HDMI control ON 3.0 W or less
 HDMI control OFF 0.1 W or less

Dimensions (W x H x D) / 寸法(幅 × 高さ × 奥行き)

..... 800 x 155 x 152 mm (31-1/2" x 6-1/8" x 6")

Weight / 質量

..... 11.5 kg (25 lbs. 5 oz.)

Finish / 仕上げ

Black color U, C, K, A, B, G, E, L, V, J models
 Silver color U, C, K, A, B, G, E, L, V, J models

Accessories / 付属品

..... Remote Control x 1
 Batteries (R6, AA, UM-3) x 2
 Indoor FM antenna (1.4 m) x 1 (U, C, K, A, G, E, L, V models)
 Video pin cable (1.5 m) x 1
 Audio pin cable (1.5 m) x 1
 Digital audio pin cable (1.5 m) x 1
 Optical cable (1.5 m) x 1 (U, C, K, A, B, G, E, L, V models), x 2 (J model)
 Cable clip x 1
 Fastener x 4
 Intellibeam microphone (6 m) x 1
 Cardboard microphone stand x 1
 DVD-ROM (Demo disc) x 1
 DAB wire antenna (1.6 m) x 1 (B model)

* Specifications are subject to change without notice due to product improvements.

※ 参考仕様および外観は予告なく変更されることがあります。

U U.S.A. model	G European model
C Canadian model	E South European model
K Korean model	L Singapore model
A Australian model	V Taiwan model
B British model	J Japanese model

IntelliBeam

The "IntelliBeam" logo and "IntelliBeam" are trademarks of YAMAHA Corporation.

「インテリビーム」「IntelliBeam」は、ヤマハ株式会社の商標です。



The "CINEMA DSP" logo and "Cinema DSP" are registered trademarks of YAMAHA Corporation.

「シネマDSP」「CINEMA DSP」は、ヤマハ株式会社の登録商標です。



Manufactured under license from Dolby Laboratories.

"Dolby", "Pro Logic", and the double-D symbol are trademarks of Dolby Laboratories.

ドルビーラボラトリーズからの実施権により製造されています。「ドルビー」、「PRO LOGIC」およびダブルD記号 は、ドルビーラボラトリーズの商標です。



"DTS" and "Neo:6" are registered trademarks of DTS, Inc.

DTSおよびNeo:6はDTS社の登録商標です。



"HDMI", the "HDMI" logo and "High-Definition Multimedia Interface" are trademarks or registered trademarks of HDMI Licensing LLC.

HDMI、HDMIロゴおよびHigh-Definition Multimedia Interfaceは、HDMI Licensing LLCの商標または、登録商標です。



Manufactured under license from 1 Ltd. Worldwide patents applied for. The "1" logo and "Digital Sound Projector" are trademarks of 1 Ltd.

世界に広く特許申請中の1Ltdからライセンスを受けています。

'1'は1Ltdの商標です。



TruBass, SRS and the "SRS" symbol are registered trademarks of SRS Labs, Inc. TruBass technology is incorporated under license from SRS Labs, Inc.

TruBass、SRSと記号はSRS Lab, Inc.の商標です。TruBass技術はSRS Labs, Inc.からのライセンスに基づき製品化されています。



EUPHONY is a trademark of DIMAGIC Co., Ltd.

EUPHONY (ユーフォニー)はダイマジック社の商標です。

iPod™

"iPod" is a trademark of Apple Inc., registered in the U.S. and other countries.

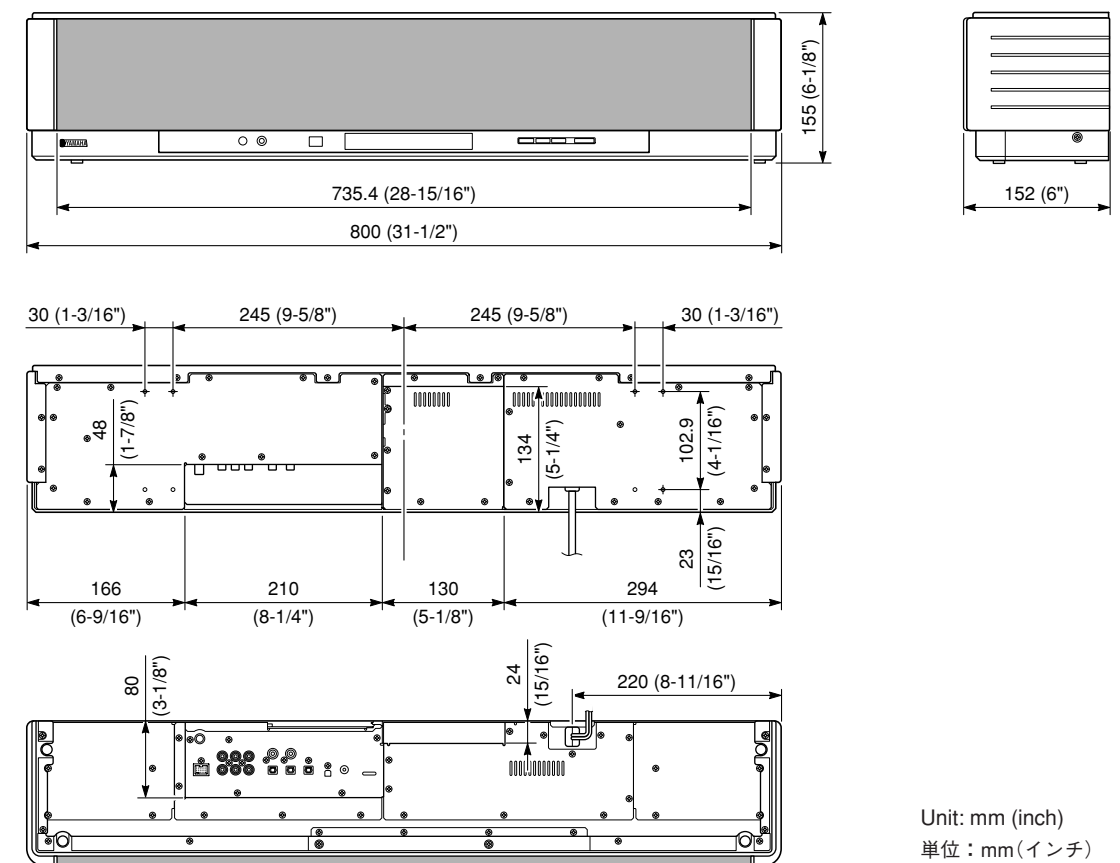


The "DAB Digital Radio" logo and the stylised "r" mark are trademarks of Digital One Limited.

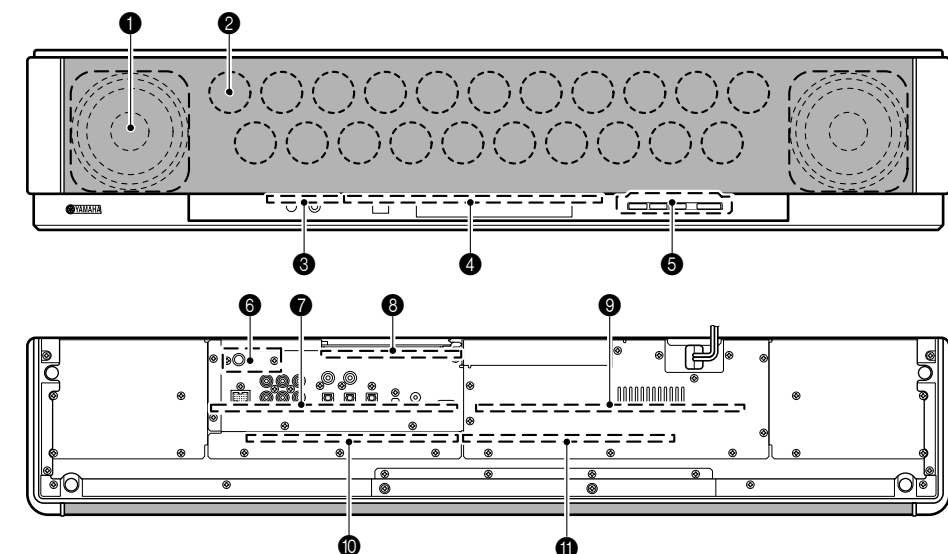


AACロゴマークはドルビーラボラトリーズの商標です。

• DIMENSIONS / 寸法図



■ INTERNAL VIEW



- | | |
|--|--------------------|
| ① DRIVER WOOFER | ⑦ INPUT P.C.B. |
| ② DRIVER TWEETER | ⑧ HDMI P.C.B. |
| ③ POWER (4) P.C.B. | ⑨ POWER (1) P.C.B. |
| ④ POWER (2) P.C.B. | ⑩ DSP P.C.B. |
| ⑤ POWER (3) P.C.B. | ⑪ AMP P.C.B. |
| ⑥ TUNER (U, C, K, A, G, E, L, V models)
POWER (5) P.C.B. / DAB MODULE (B model) | |

■ SET MENU TABLE / セットメニュー

CATEGORY 1	MAIN MENU 2	SUB MENU 3	SELECT MENU 4	VALUE [INITIAL]	
1 MEMORY	1) MEMORY LOAD	LOAD SEL : MEMORY1, MEMORY2, MEMORY3			
	2) MEMORY SAVE	SAVE SEL : MEMORY1, MEMORY2, MEMORY3			
	1) BEAM + SOUND SETUP	START SETUP ?			
2 AUTO SETUP	2) BEAM OPTIMZ	START SETUP ?			
	3) SOUND OPTIMZ	START SETUP ?			
	1) SOUND MENU	A) TONE CONTROL	TREBLE	-12.0 to +12.0 dB, [0 dB], step 0.5 dB	
3 MANUAL SETUP	B) SUBWOOFER SET	BASS OUT	SWFR, [FRONT]		
		CROSS	80, [100], 120, 160, 200 Hz		
		LFE LEVEL		-20 to 0 dB, [0 dB], step 0.5 dB	
		DISTANCE		0.3 to 15.0 m, [3.0 m], step 0.1 m 1.0 to 50.0 ft, [10.0 ft], step 0.5 ft	
		MUTE LVL		[MUTE], -20 dB	
		A. DELAY		[0] to 160 ms, step 1 ms Maximum changes with the modes. / 最大値はモードにより変化	
		MOUNTING		[SHELF], WALL	
		REFLECT		[NORMAL], HI ECHO	
		D-RANGE		MIN, STD, [MAX]	
		TruBass ON		[ON], OFF	
	A) PARAMETERS	POSITION		[FLAT (TO WALL)], ANGLE (TO WALL OR CORNER)	
		ROOM WIDTH		2.0 to 12.0 m, step 0.1 m 6.5 to 40.0 ft, step 0.5 ft	
		ROOM LENGTH		2.0 to 12.0 m, step 0.1 m 6.5 to 40.0 ft, step 0.5 ft	
		USER POSITION		1.8 to 9.0 m, step 0.1 m 6.0 to 30.0 ft, step 0.5 ft	
		TO L WALL		0.6 to 11.4 m, step 0.1 m 2.0 ft to 38.0 ft, step 0.5 ft	
		B) BEAM ADJUST	a) HORIZ. ANGLE	H. ANGLE FL	
				H. ANGLE FR	
				H. ANGLE C	
				H. ANGLE SL	
				H. ANGLE SR	
	b) BEAM LENGTH	B. LEN FL		0.3 to 24.0 m, step 0.1 m 1.0 to 80.0 ft, step 0.5 ft	
		B. LEN FR			
		B. LEN C			
B. LEN SL					
B. LEN SR					
c) FOCAL LENGTH	F. LEN FL		-1.0 to 13.0 m, step 0.1 m -3.5 to 43.5 ft, step 0.5 ft		
	F. LEN FR				
	F. LEN C		-1.0 to 13.0 m, [-0.5 m], step 0.1 m -3.5 to 43.5 ft, [-1.5 ft], step 0.5 ft		
	F. LEN SL		-1.0 to 13.0 m, step 0.1 m		
	F. LEN SR		-3.5 to 43.5 ft, step 0.5 ft		
d) TREBLE GAIN	TREBL FL				
	TREBL FR				
	TREBL C		-12.0 to +12.0 dB, [0 dB], step 0.5 dB		
	TREBL SL				
	TREBL SR				
C) I-LOCATION	IMAGE		> OFF, ON		
	LEFT	L ----C			
	RIGHT	C ---- R	0 to 95%, [0%], step 5%		
	HDMI1		TV/STB, [AUX1]		
	HDMI2		[DVD], AUX2		
	> AUTO, LAST				
	TV/STB				
	ANALOG IN (1)				
	OPTICAL IN (1)				
	COAXIAL IN (1)				
3) INPUT MENU	(U, C, K, A, B, G, E, L, V models) (J model)	DVD			
		AUX1			
		AUX2			
		AUX3			
		DOCK			
	(U, C, A models)	D) INPUT RENAME		MAX: 8 character space, A to Z, 0 to 9, a to z, #, *, +, ,, -, ., /, :, <, >, ? [YSP-3000], OTHER	
		E) HDMI SET	a) SUPPORT AUDIO	RES., ERR	
		b) VIDEO INFO.		OFF, [ON]	
		c) HDMI CONTROL		NONE, 0 to 100%	
		XM ANT.		-2, -1, [OFF]	
4) DISPLAY MANU	(U, C models)	STANDARD DIMMER			
		AUTO DIMMER	DISPLAY OFF, -3, -2, -1, [OFF]		
		SCROLL	[CONT.], ONCE		
		OSD SHIFT	-5 to +5, [0]		
		OSD DISPLAY TIME	10s, 30s, [ON] (U, C, A, J models)		
	UNIT		METERS, FEET		
	4) LANGUAGE SETUP	(U, C, K, A, B, G, E, L, V models)	[ENGLISH]		
			GERMAN		
			FRENCH		
			SPANISH		
ITALIAN					
DUTCH					
RUSSIAN					

■ SERVICE PRECAUTIONS / サービス時の注意事項

Safety measures

- Some internal parts in this product contain high voltages and are dangerous. Be sure to take safety measures during servicing, such as wearing insulating gloves.
- Note that positions indicated below are dangerous even after the power is turned off because an electric charge remains and a high voltage continues to exist there. Before starting any repair work, perform discharge by connecting a discharge resistor (5k-ohms/10W) between terminals at following positions. The time required for discharging is about 30 seconds.

- C504/C505 on POWER (1) P.C.B..
- C518 on POWER (1) P.C.B..

Refer to "PRINTED CIRCUIT BOARDS: POWER (1) P.C.B.".

安全対策

- この製品の内部には高電圧部分があり危険です。修理の際は、絶縁性の手袋を使用するなどの安全対策を行ってください。
- 下記箇所には電源をOFFにした後も電荷が残り、高電圧が維持されており危険です。修理作業前に放電用抵抗(5kΩ/10W)を下記箇所の端子間に接続して放電してください。放電所用時間は約30秒間です。

- POWER(1)P.C.B.のC504/C505
- POWER(1)P.C.B.のC518

"PRINTED CIRCUIT BOARDS : POWER(1)P.C.B."を参照してください。

■ DISASSEMBLY PROCEDURES / 分解手順

(Remove parts in the order as numbered.)

(番号順に部品を取り外してください。)

Cautions for disassembly and reassembly:

- Disconnect the power cable from the AC outlet.
- Spread soft cloth or the like and perform the work on it.
- Use full care as you may be injured by the front grille or other part.
- All screws must be tightened securely to prevent air leakage. Check the number of screws and their positions when installing them.
- When installing parts, be careful not to have anything such as cables caught between other parts.
- Make sure that all the removed driver (tweeter) parts are reinstalled at specified positions.

分解・組立時の注意：

- AC電源コンセントから、電源コードを抜いてください。
- やわらかい布等を敷いて その上で作業を行ってください。
- フロントグリル等で怪我をする恐れがあります。十分注意してください。
- ネジを締め忘れると、エア漏れをすることがあります。ネジの個数及び位置を確認し、取り付けてください。
- 取り付けの際、ケーブル等を部品の隙間に挟み込むことがあります。十分注意してください。
- 取り外したスピーカーユニット(ツイーター)はすべて決められた位置に取り付けてください。

Disassembly Procedures as far as P.C.B. and Driver Tweeter

1. Removal of Rear Panel

* Screws to be removed are identified with arrow marks (⇒).

- Remove 13 screws (①) and screw (②). (Fig. 1)
* Be sure to use P tapping screw for the screws marked (②).
- Remove rear panel R. (Fig. 1)
- Remove 7 screws (③) and screw (④). (Fig. 1)
- Remove rear panel C. (Fig. 1)
- Remove 12 screws (⑤) and screw (⑥). (Fig. 1)
* Be sure to use P tapping screw for the screws marked (⑥).
- Remove rear panel L. (Fig. 1)

P.C.B.およびスピーカーユニット(ツイーター)までの分解手順

1. リアパネルの外し方

- * 取り外すネジには矢印(⇒)が印刷されています。
- ①のネジ13本、②のネジ1本を外します。(Fig. 1)
* ②のネジには必ず、Pタイトネジを使用してください。
 - リアパネルRを取り外します。(Fig. 1)
 - ③のネジ7本、④のネジ1本を外します。(Fig. 1)
 - リアパネルCを取り外します。(Fig. 1)
 - ⑤のネジ12本、⑥のネジ1本を外します。(Fig. 1)
* ⑥のネジには必ず、Pタイトネジを使用してください。
 - リアパネルLを取り外します。(Fig. 1)

2. Removal of HDMI P.C.B.

- Remove 4 screws (⑦), screw (⑧) and screw (⑨). (Fig. 2)
- Remove CB5. (Fig. 2)
- Release the lock and remove CB6. (Fig. 2)
- Remove HDMI P.C.B. together with flame HDMI. (Fig. 2)

2. HDMI P.C.B.の外し方

- ⑦のネジ4本、⑧のネジ1本、⑨のネジ1本を外します。(Fig. 2)
- CB5を外します。(Fig. 2)
- ロックを外し、CB6を外します。(Fig. 2)
- HDMI P.C.B.をフレームHDMIと一緒に取り外します。(Fig. 2)

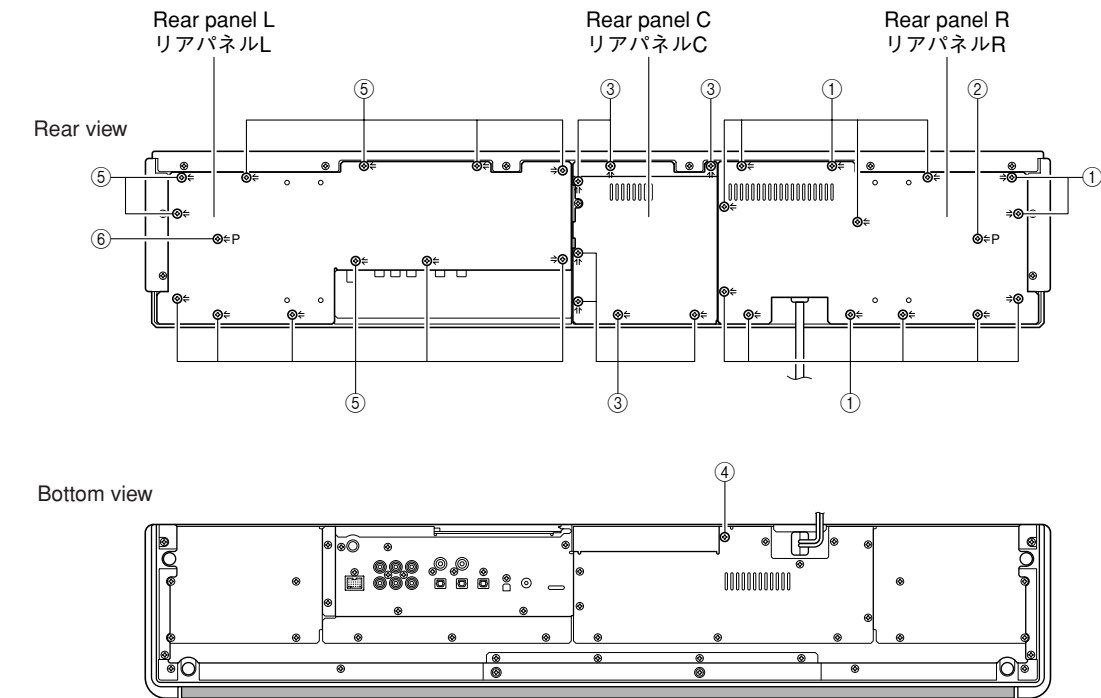


Fig. 1

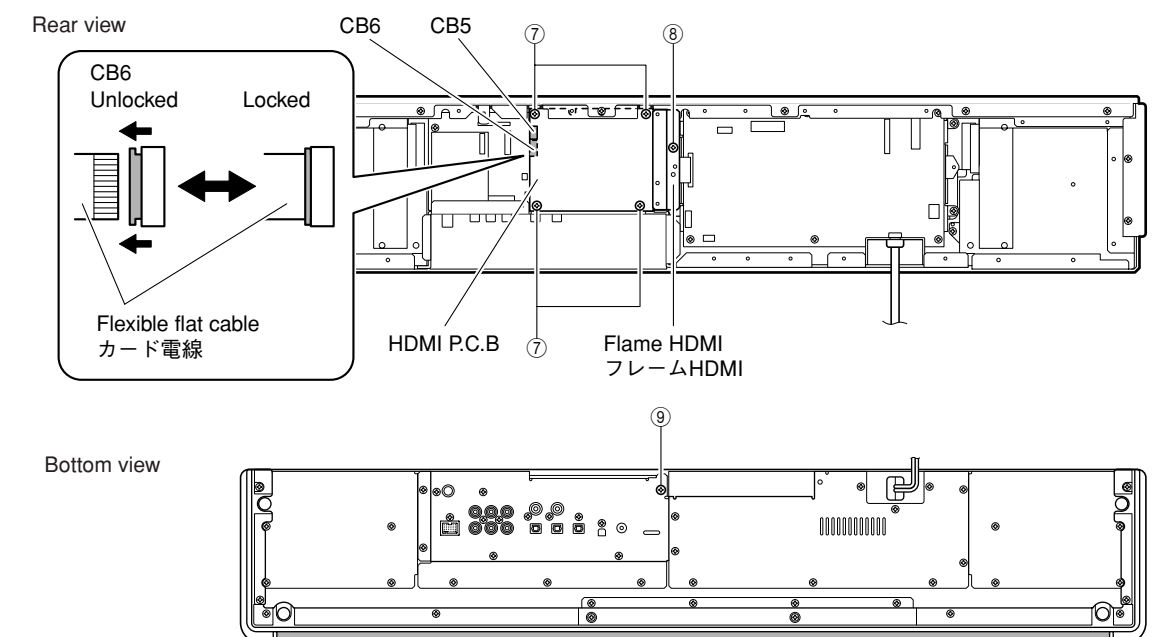


Fig. 2

3. Removal of FM Tuner (U, C, K, A, G, E, L, V models)

- Remove 2 screws (10). (Fig. 3)
- Remove CB9. (Fig. 3)
- Remove FM tuner. (Fig. 3)

U, C, K, A, G, E, L, V models

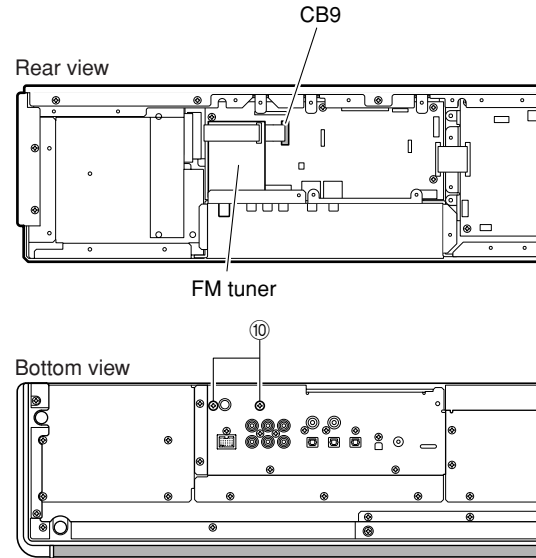


Fig. 3

4. Removal of POWER (5) P.C.B. and DAB Module (B model)

- Remove 2 screws (11). (Fig. 4)
- Remove nut. (Fig. 4)
- Remove screw (12). (Fig. 4)
- Remove CB7 and CB13. (Fig. 4)
- Remove POWER (5) P.C.B. together with DAB module. (Fig. 4)

B model

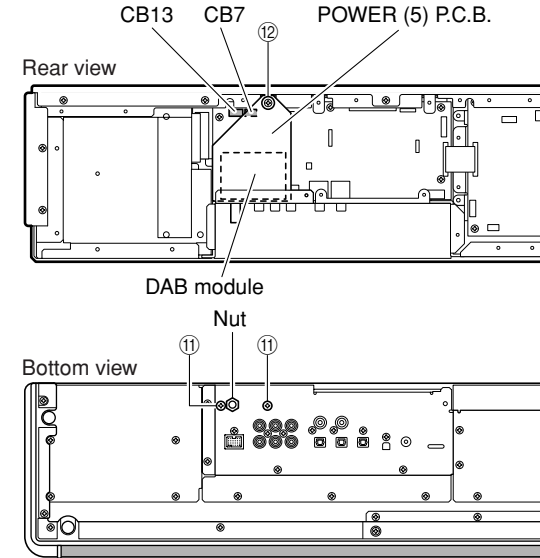


Fig. 4

5. Removal of POWER (1) P.C.B.

- Remove 3 screws (13). (Fig. 5)
- Remove CB501. (Fig. 5)
- Remove power cable together with frame AC. (Fig. 5)
- Remove 7 screws (14). (Fig. 5)
- Remove frame bottom. (Fig. 5)
- Remove 6 screws (15). (Fig. 5)
- Remove CB12, CB504, CB506 and CB507. (Fig. 5)
- Remove POWER (1) P.C.B.. (Fig. 5)

6. Removal of INPUT P.C.B.

- Remove 4 screws (16) and 7 screws (17). (Fig. 5)
- Remove CB6, CB8, CB10 and CB11. (Fig. 5)
- Remove INPUT P.C.B. together with frame input. (Fig. 5)

5. POWER(1)P.C.B.の外し方

- 13のネジ3本を外します。(Fig. 5)
- CB501を外します。(Fig. 5)
- 電源コードをフレームACと一緒に取り外します。(Fig. 5)
- 14のネジ7本を外します。(Fig. 5)
- フレームBOTTOMを取り外します。(Fig. 5)
- 15のネジ6本を外します。(Fig. 5)
- CB12、CB504、CB506-507を外します。(Fig. 5)
- POWER(1)P.C.B.を取り外します。(Fig. 5)

6. INPUT P.C.B.の外し方

- 16のネジ4本、17のネジ7本を外します。(Fig. 5)
- CB6、CB8、CB10-11を外します。(Fig. 5)
- INPUT P.C.B.をフレームINPUTと一緒に取り外します。(Fig. 5)

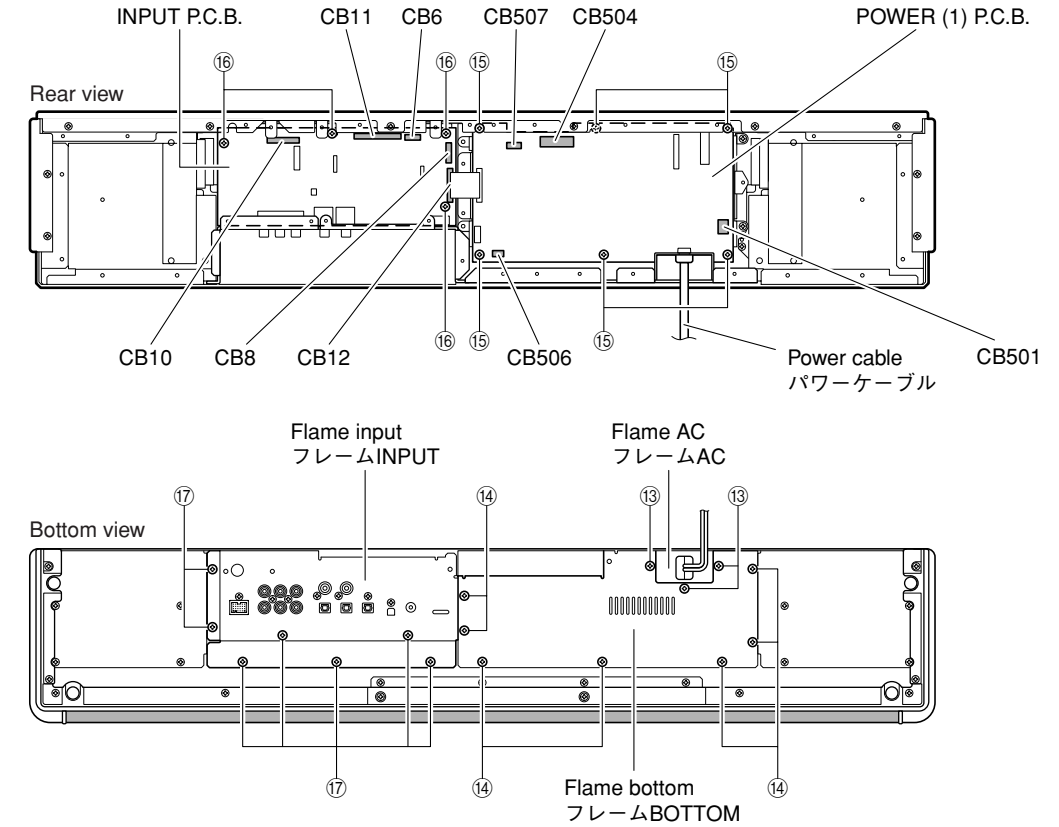


Fig. 5

When checking the P.C.B.s:

* Put the rubber sheet and cloth over the equipment. Then place the P.C.B.s upside down on the cloth and check it. (Fig. 6)

* Reconnect all cables (connectors) that have been disconnected.

Be sure to use the extension cable before servicing the following section.

POWER (1) P.C.B. CB506_POWER (2) P.C.B. W901 : MF404250 (4P, 250mm)

* When connecting the flexible flat cable, be careful with polarity.

* In this unit, the ground of P.C.B.s is connected to the panel or chassis. When these P.C.B.s are removed from the panel or chassis, connect the ground point to the panel or chassis, using a ground lead wire or such. (Fig. 6)

P.C.B.をチェックする場合には：

- 本機の上にゴムシートと布を敷き、その上にP.C.B.を裏返しに置いてチェックします。(Fig. 6)
- 外したケーブル(コネクタ)をすべて接続します。ただし次の区間は、サービス用延長ケーブルを使用してください。

POWER(1)P.C.B. CB506_POWER(2)P.C.B. W901 : MF404250 (4P、250mm)

- カード電線を接続する際、極性に注意してください。
- 本機ではP.C.B.のアースがパネルまたはシャーシに接続されています。P.C.B.をパネルまたはシャーシより取り外した場合、リード線等でアースポイントをパネルまたはシャーシに接続してください。(Fig. 6)

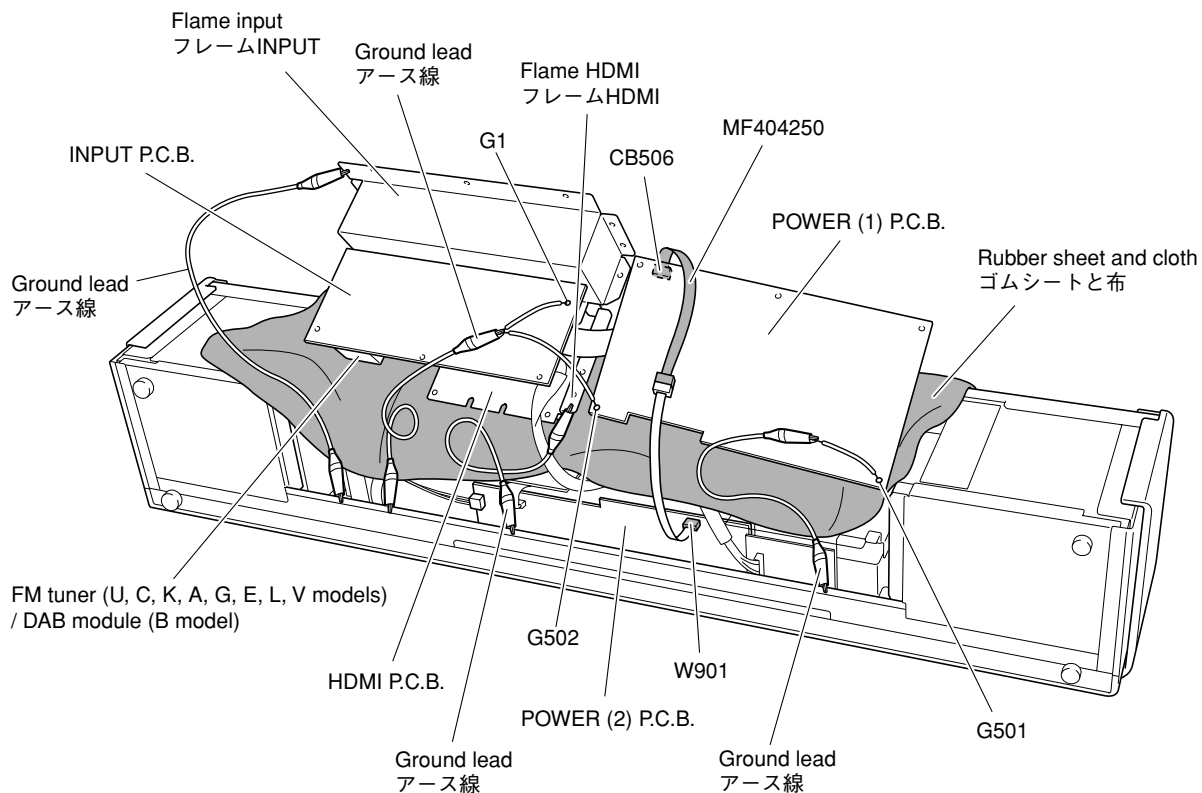


Fig. 6

7. Removal of DSP P.C.B.

- a. Remove screw (18), screw (19) and then remove plate earth. (Fig. 7)
- b. Remove 3 screws (20) and then remove flame PCB/R. (Fig. 7)
- c. Remove 2 screws (21). (Fig. 7)
- d. Remove CB8. (Fig. 7)
- e. Remove DSP P.C.B.. (Fig.7)

8. Removal of AMP P.C.B.

- a. Remove 5 screws (22), 4 screws (23) and then remove flame PCB/L. (Fig. 7)
- b. Remove 3 screws (24). (Fig. 7)
- c. Remove CB502-510. (Fig. 7)
- d. Remove AMP P.C.B.. (Fig. 7)

7. DSP P.C.B.の外し方

- a. 18のネジ1本、19のネジ1本を外し、プレートEARTHを取り外します。(Fig. 7)
- b. 20のネジ3本を外し、フレームPCB/Rを取り外します。(Fig. 7)
- c. 21のネジ2本を外します。(Fig. 7)
- d. CB8を外します。(Fig. 7)
- e. DSP P.C.B.を取り外します。(Fig. 7)

8. AMP P.C.B.の外し方

- a. 22のネジ5本、23のネジ4本を外し、フレームPCB/Lを取り外します。(Fig. 7)
- b. 24のネジ3本を外します。(Fig. 7)
- c. CB502-510を外します。(Fig. 7)
- d. AMP P.C.B.を取り外します。(Fig. 7)

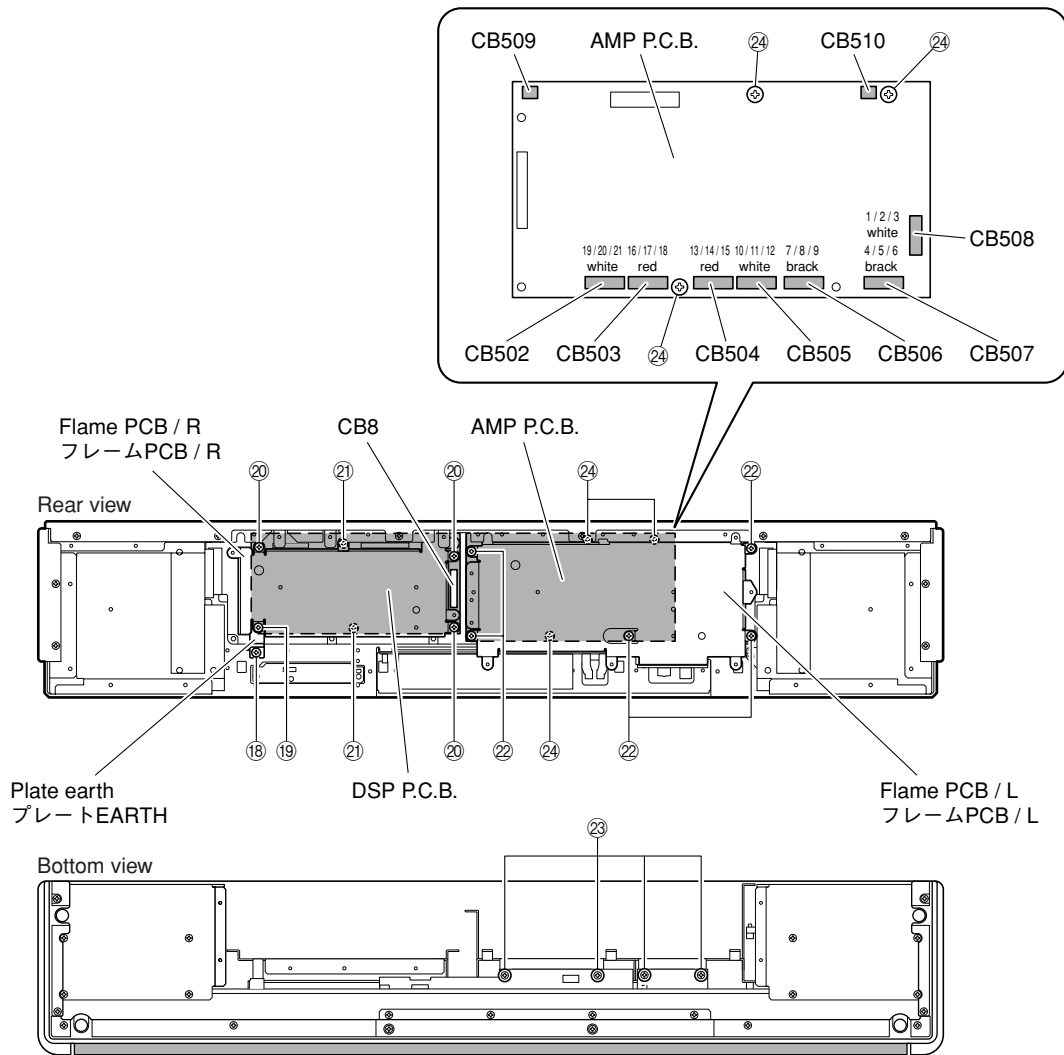


Fig. 7

9. Removal of Grille Bottom Ass'y

- Remove 8 screws (25) and 2 screws (26). (Fig. 8)
 - Lift up the rear of the grille bottom ass'y a little and after removing 6 hooks, remove it rearward. (Fig. 8)
- * To install the grille bottom ass'y, be sure to install 6 hooks at the front first and then install screws. (Fig. 8)

9. グリルボトムASSYの外し方

- 25のネジ8本、26のネジ2本を外します。(Fig. 8)
 - グリルボトムASSYの後ろを少し持ち上げ、フック6ヶ所を外し、後方へ取り外します。(Fig. 8)
- * グリルボトムASSYを取り付ける場合は、必ず前方のフック6ヶ所から取り付け、次にネジを取り付けてください。(Fig. 8)

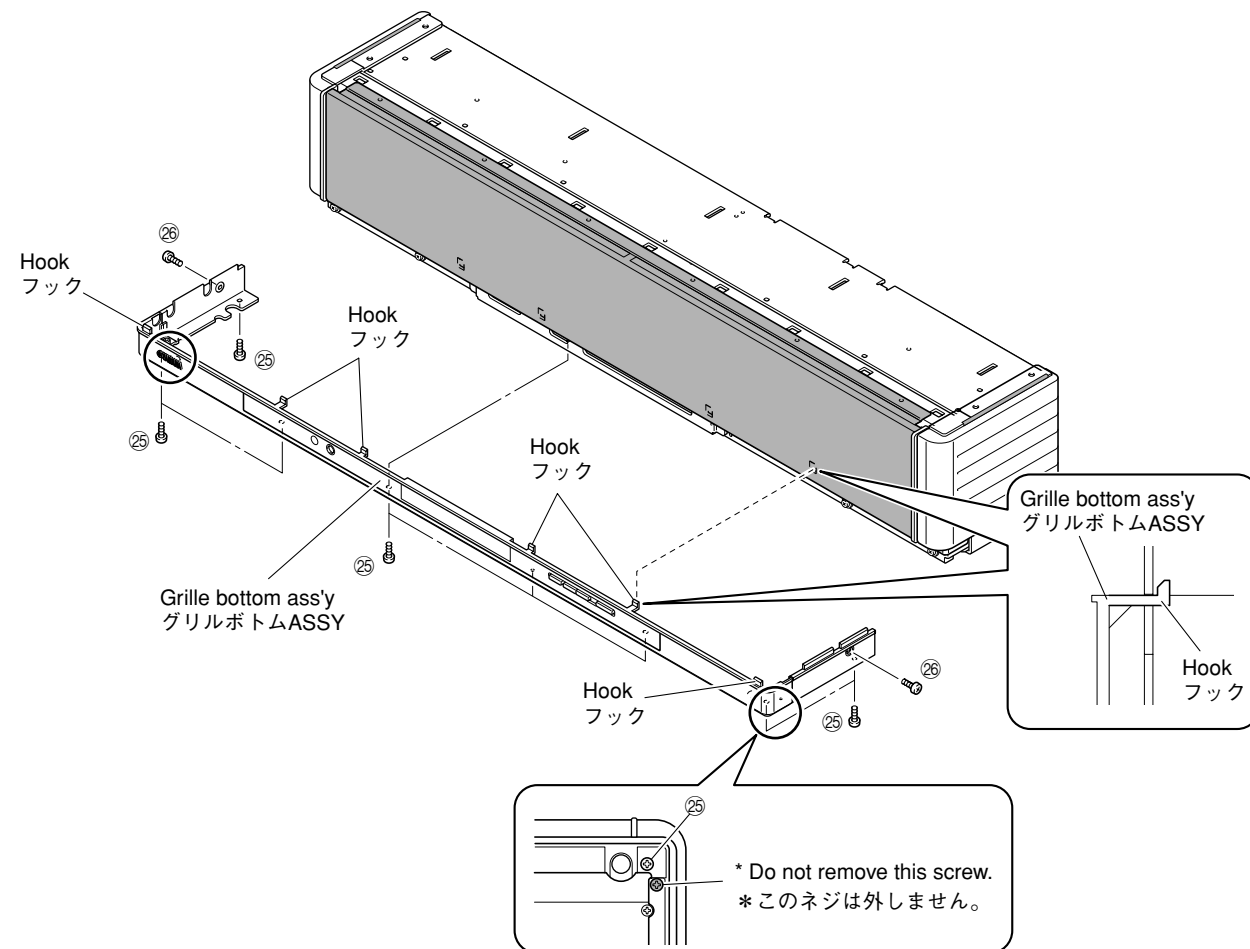


Fig. 8

10. Removal of Front Grille

- * Use full care as you may be injured by the front grille or other part.
- Remove 6 screws (27). (Fig. 9)
 - Lift up the rear of the top cover a little and after removing 9 hooks, remove it rearward. (Fig. 9)
- * To install the top cover, be sure to install 9 hooks at the front first and then install screws. (Fig. 9)
- Remove 2 screws (28), 4 screws (29) and then remove panel side L. (Fig. 9)

10. フロントグリルの外し方

- * フロントグリル等で怪我をする恐れがあります。十分注意してください。
- 27のネジ6本を外します。(Fig. 9)
 - トップカバーの後ろを少し持ち上げ、フック9ヶ所を外し、後方へ取り外します。(Fig. 9)
- * トップカバーを取り付ける場合は、必ず前のフック9ヶ所から取り付け、次にネジを取り付けてください。(Fig. 9)
- 28のネジ2本、29のネジ4本を外し、パネルサイドLを取り外します。(Fig. 9)

- Remove 2 screws (30), 4 screws (31) and then remove panel side R. (Fig. 9)
- Remove 2 screws (32) and then remove panel side sub L. (Fig. 9)
- Remove 2 screws (33) and then remove panel side sub R. (Fig. 9)
- Remove 18 screws (34) and then remove front grille ass'y. (Fig. 9)

- 30のネジ2本、31のネジ4本を外し、パネルサイドRを取り外します。(Fig. 9)
- 32のネジ2本を外し、パネルサイドサブLを取り外します。(Fig. 9)
- 33のネジ2本を外し、パネルサイドサブRを取り外します。(Fig. 9)
- 34のネジ18本を外し、フロントグリルを取り外します。(Fig. 9)

11. Removal of Grille Net Ass'y (Black color model)

- Remove 8 screws (35). (Fig. 9)
- Remove grille net ass'y. (Fig. 9)

11. グリルネットASSYの外し方 (Black color model)

- 35のネジ8本を外します。(Fig. 9)
- グリルネットASSYを取り外します。(Fig. 9)

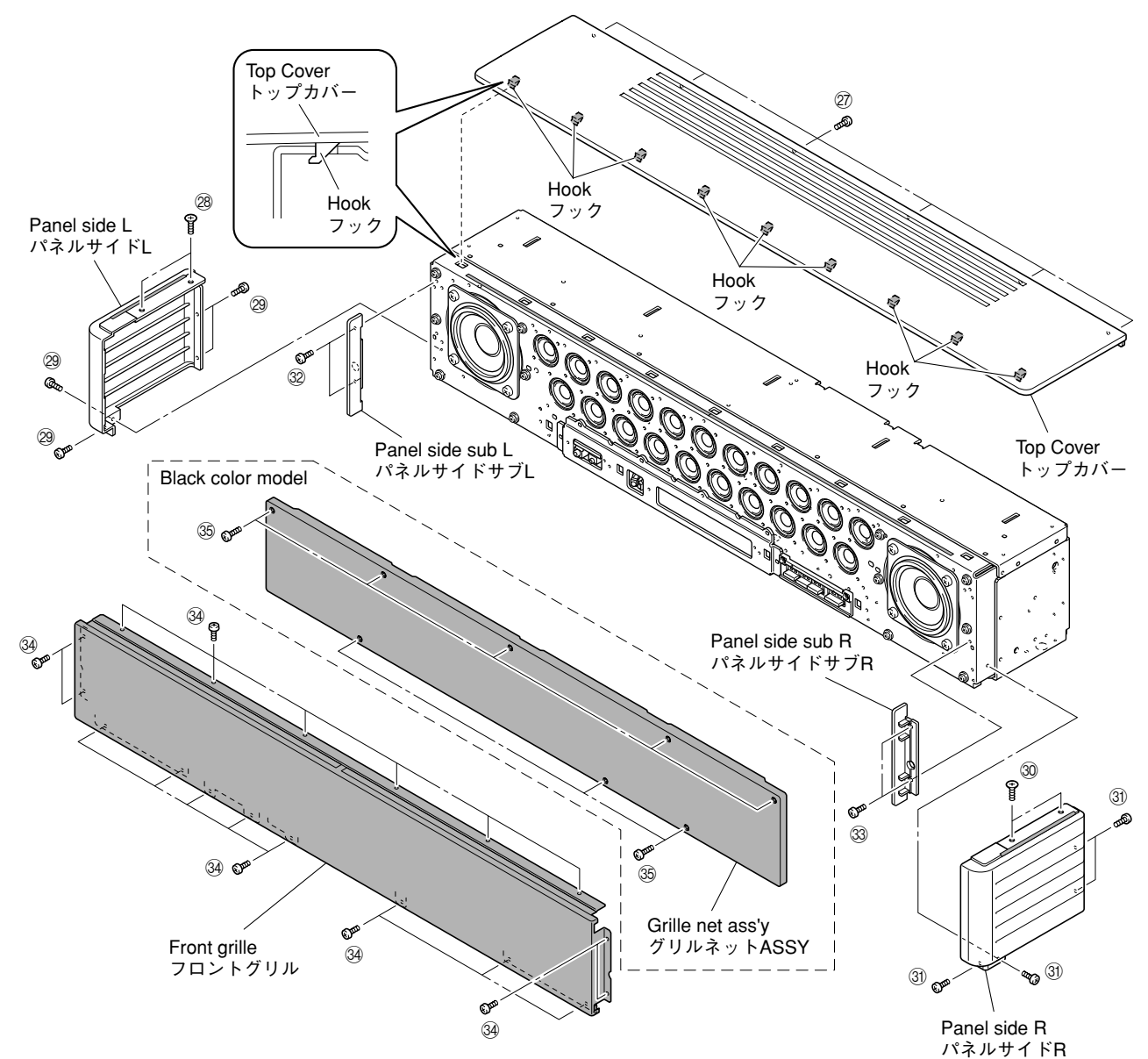


Fig. 9

12. Removal of Driver Tweeter

- a. Remove 7 screws (36) and 4 screws (37). (Fig. 10)
 - b. Remove the flame top. (Fig. 10)
 - c. Remove 6 screws (38). (Fig. 10)
 - d. Remove 9 screws (39) and then remove stopper wire. (Fig. 11)
 - e. Remove 12 screws (40) and then remove cabinet array. (Fig. 11)
 - f. Remove 2 screws/piece (41). (Fig. 12)
 - g. Remove driver tweeter. (Fig. 12)
- * Make sure that all the removed driver tweeter parts are reinstalled at specified positions. (Fig. 12)

12.スピーカユニット(ツイーター)の外し方

- a. 36のネジ7本、37のネジ4本を外します。(Fig. 10)
 - b. フレームトップを取り外します。(Fig. 10)
 - c. 38のネジ6本を外します。(Fig. 10)
 - d. 39のネジ9本を外し、ストッパーワイヤー3個を取り外します。(Fig. 11)
 - e. 40のネジ12本を外し、キャビネットARRAYを取り外します。(Fig. 11)
 - f. 41のネジ2本/個を外します。(Fig. 12)
 - g. スピーカユニット(ツイーター)を取り外します。(Fig. 12)
- * 取り外したスピーカユニット(ツイーター)は、すべて決められた位置に取り付けてください。(Fig. 12)

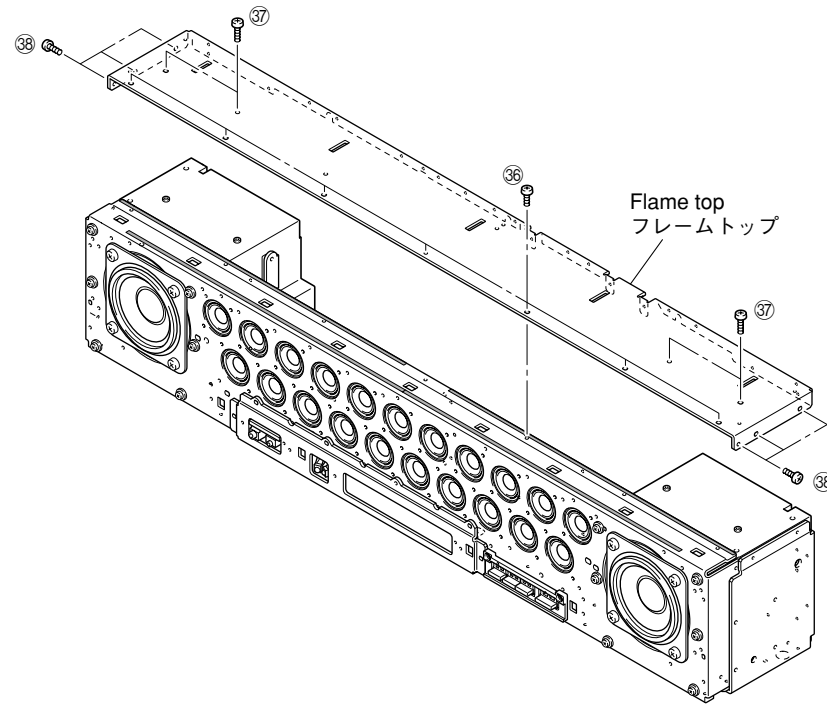


Fig. 10

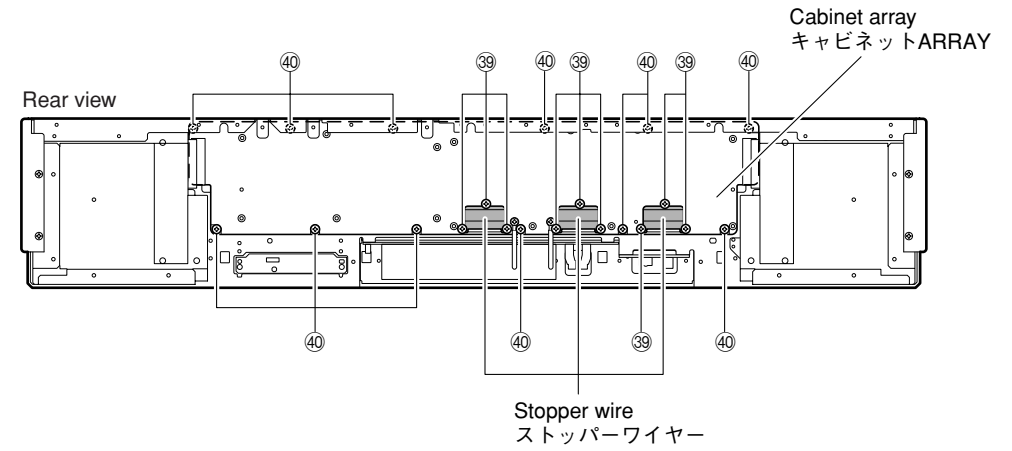


Fig. 11

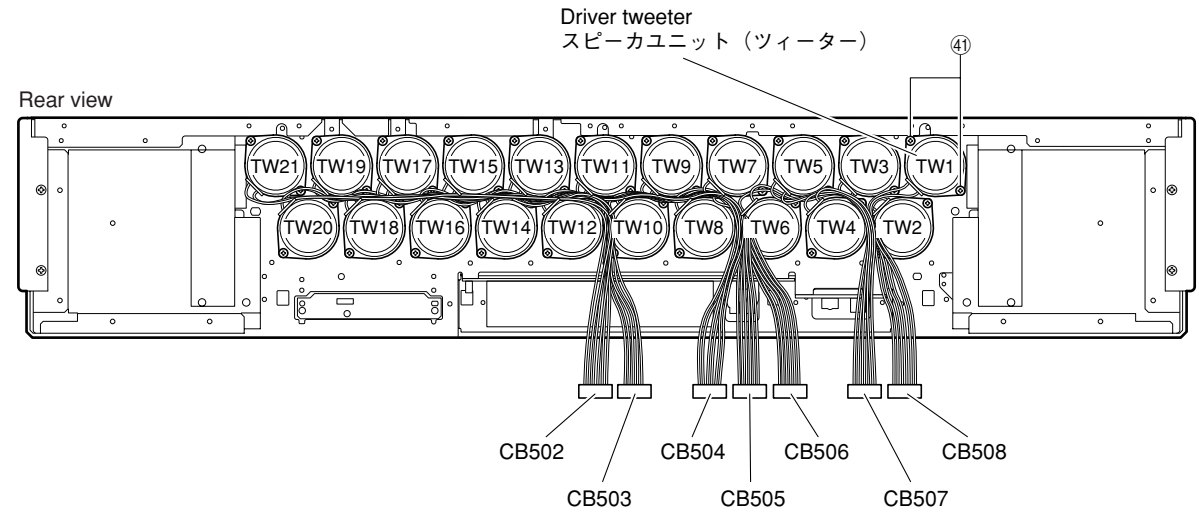


Fig. 12

Pin No. / ピンNo.	CB508	CB507	CB506	CB505	CB504	CB503	CB502
1 (Red : +), 2 (Black : -)	TW1	TW4	TW7	TW10	TW13	TW16	TW19
3 (Green : +), 4 (Black : -)	TW2	TW5	TW8	TW11	TW14	TW17	TW20
5 (Yellow : +), 6 (Black : -)	TW3	TW6	TW9	TW12	TW15	TW18	TW21

Installation of Driver (Tweeter)

Caution: Make sure that all the removed driver (tweeter) parts are reinstalled at specified positions. (Fig. 12)

スピーカユニット(ツイーター)の取り付け方

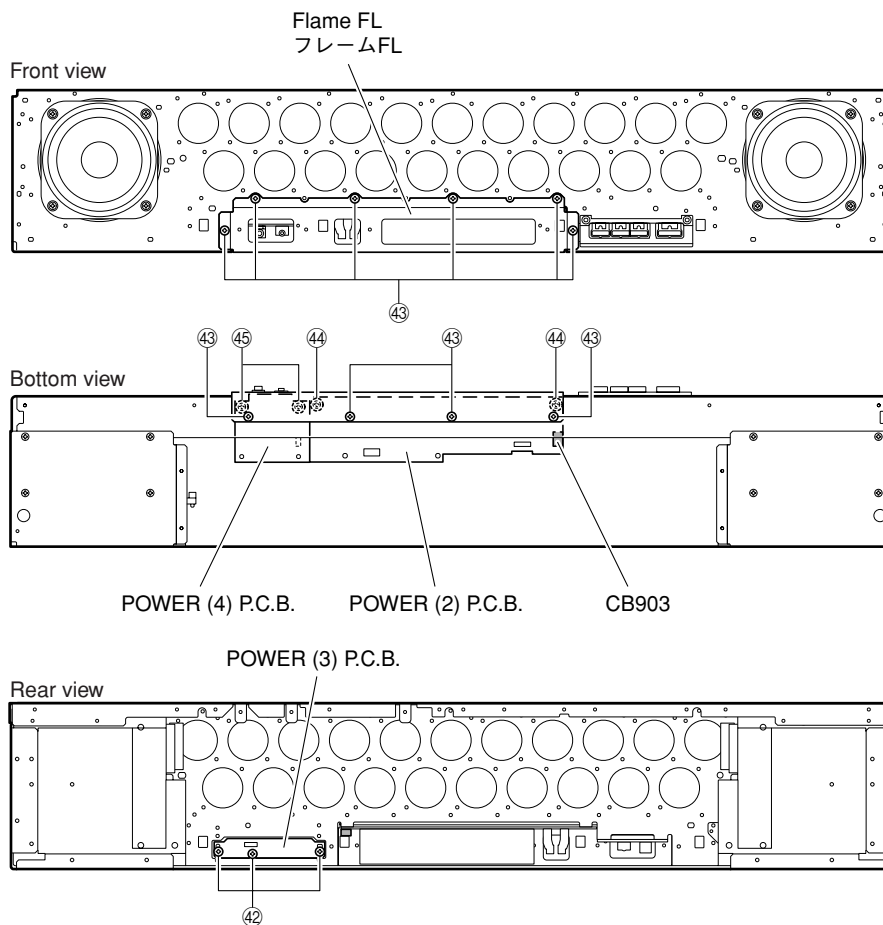
注意: 取り外したスピーカユニット(ツイーター)はすべて決められた位置に取り付けてください。(Fig. 12)

13. Removal of POWER (2), (3) and (4) P.C.B.s

- a. Remove 3 screws (42). (Fig. 13)
- b. Remove CB903. (Fig. 13)
- c. Remove POWER (3) P.C.B.. (Fig.13)
- d. Remove 10 screws (43) and then remove flame FL. (Fig. 13)
- e. Remove 2 screws (44). (Fig. 13)
- f. Remove POWER (2) P.C.B.. (Fig. 13)
- g. Remove 2 screws (45). (Fig. 13)
- h. Remove POWER (4) P.C.B.. (Fig. 13)

13. POWER (2)、(3)、(4) P.C.B.の外し方

- a. ④②のネジ3本を外します。(Fig. 13)
- b. CB903を外します。(Fig. 13)
- c. POWER (3) P.C.B.を取り外します。(Fig. 13)
- d. ④③のネジ10本を外し、フレームFLを取り外します。(Fig. 13)
- e. ④④のネジ2本を外します。(Fig. 13)
- f. POWER (2) P.C.B.を取り外します。(Fig. 13)
- g. ④⑤のネジ2本を外します。(Fig. 13)
- h. POWER (4) P.C.B.を取り外します。(Fig. 13)

**Fig. 13**

Disassembly Procedures as far as Driver Woofer

1. Removal of Top Cover

- a. Remove 6 screws (①). (Fig. 1)
- b. Lift up the rear of the top cover a little and after removing 9 hooks, remove it rearward. (Fig. 1)
 - * To install the top cover, be sure to install 9 hooks at the front first and then install 6 screws (①). (Fig. 1)

2. Removal of Grille Bottom Ass'y

- a. Remove 8 screws (②) and 2 screws (③). (Fig. 2)
- b. Lift up the rear of the grille bottom ass'y a little and after removing 6 hooks, remove it rearward. (Fig. 2)
 - * To install the grille bottom ass'y, be sure to install 6 hooks at the front first and then install screws. (Fig. 2)

スピーカーユニット(ウーファー)までの分解手順

1. トップカバーの外し方

- a. ①のネジ6本を外します。(Fig. 1)
- b. トップカバーの後ろを少し持ち上げ、フック9ヶ所を外し、後方へ取り外します。(Fig. 1)
 - * トップカバーを取り付ける場合は、必ず前方のフック9ヶ所から取り付け、①のネジ6本を取り付けてください。(Fig. 1)

2. グリルボトムASSYの外し方

- a. ②のネジ8本、③のネジ2本を外します。(Fig. 2)
- b. グリルボトムASSYの後ろを少し持ち上げ、フック6ヶ所を外し、後方へ取り外します。(Fig. 2)
 - * グリルボトムASSYを取り付ける場合は、必ず前方のフック6ヶ所から取り付け、次にネジを取り付けてください。(Fig. 2)

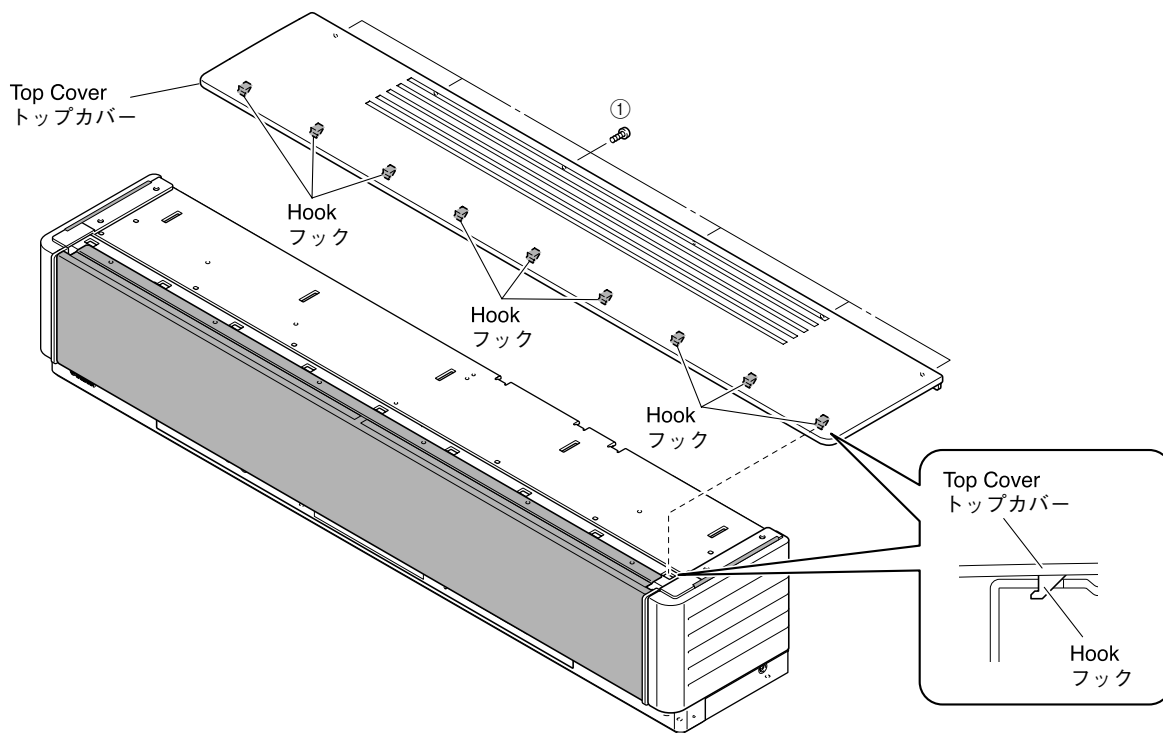


Fig. 1

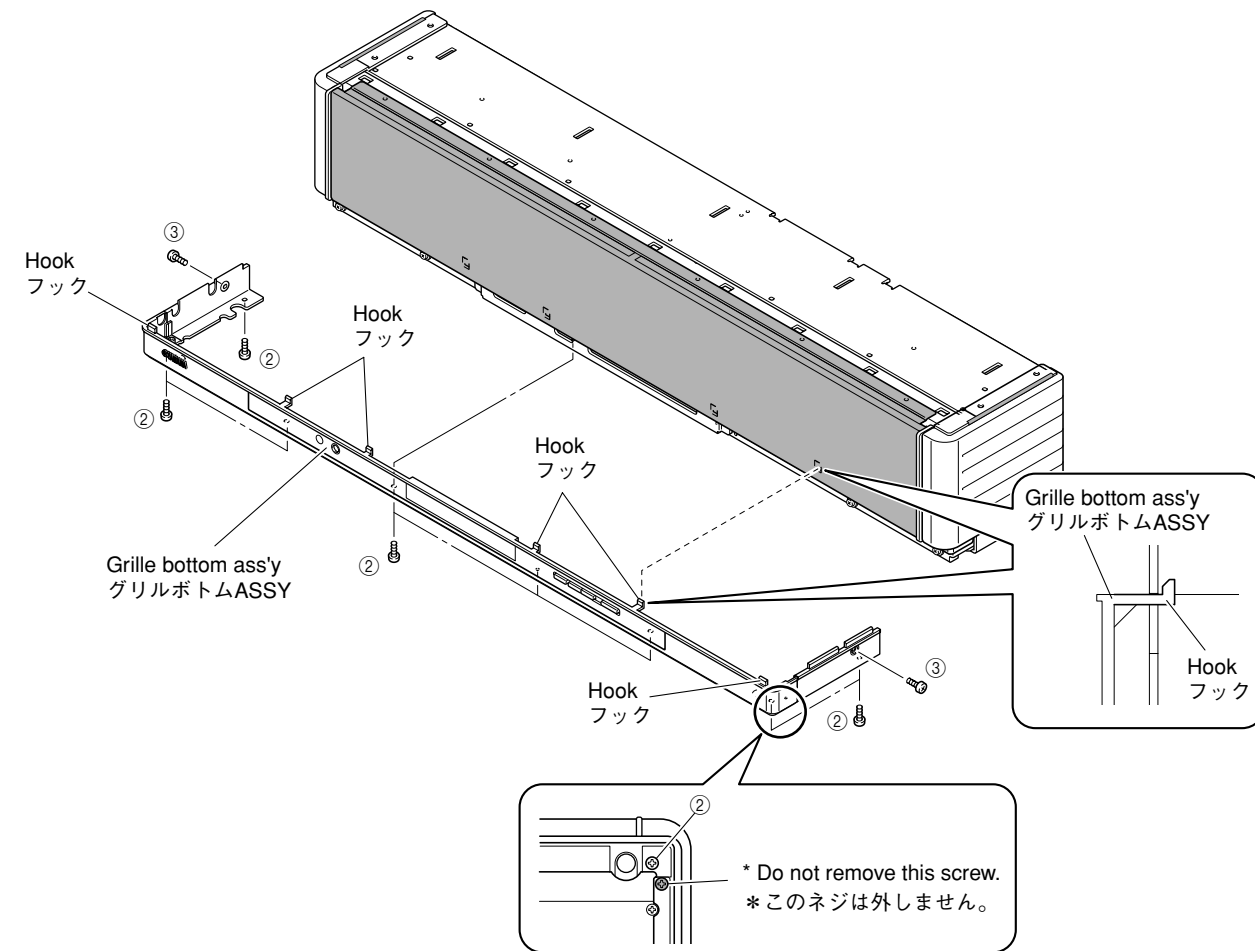


Fig. 2

3. Removal of Front Grille

* Use full care as you may be injured by the front grille or other part.

- Remove 2 screws (④), 4 screws (⑤) and then remove panel side L. (Fig. 3)
- Remove 2 screws (⑥), 4 screws (⑦) and then remove panel side R. (Fig. 3)
- Remove 2 screws (⑧) and then remove panel side sub L. (Fig. 3)
- Remove 2 screws (⑨) and then remove panel side sub R. (Fig. 3)
- Remove 18 screws (⑩) and then remove front grille ass'y. (Fig. 3)

4. Removal of Grille Net Ass'y (Black color model)

- Remove 8 screws (⑪). (Fig. 3)
- Remove grille net ass'y. (Fig. 3)

5. Removal of Driver Woofer

- Remove 4 screws/piece (⑫). (Fig. 3)
- Remove driver woofer. (Fig. 3)

3. フロントグリルの外し方

* フロントグリル等で怪我をする恐れがあります。十分注意してください。

- ④のネジ2本、⑤のネジ4本を外し、パネルサイドLを取り外します。(Fig. 3)
- ⑥のネジ2本、⑦のネジ4本を外し、パネルサイドRを取り外します。(Fig. 3)
- ⑧のネジ2本を外し、パネルサイドサブLを取り外します。(Fig. 3)
- ⑨のネジ2本を外し、パネルサイドサブRを取り外します。(Fig. 3)
- ⑩のネジ18本を外し、フロントグリルを取り外します。(Fig. 3)

4. グリルネットASSYの外し方 (Black color model)

- ⑪のネジ8本を外します。(Fig. 3)
- グリルネットASSYを取り外します。(Fig. 3)

5. スピーカーユニット(ウーファー)の外し方

- ⑫のネジ4本/個を外します。(Fig. 3)
- スピーカユニット(ウーファー)を外します。(Fig. 3)

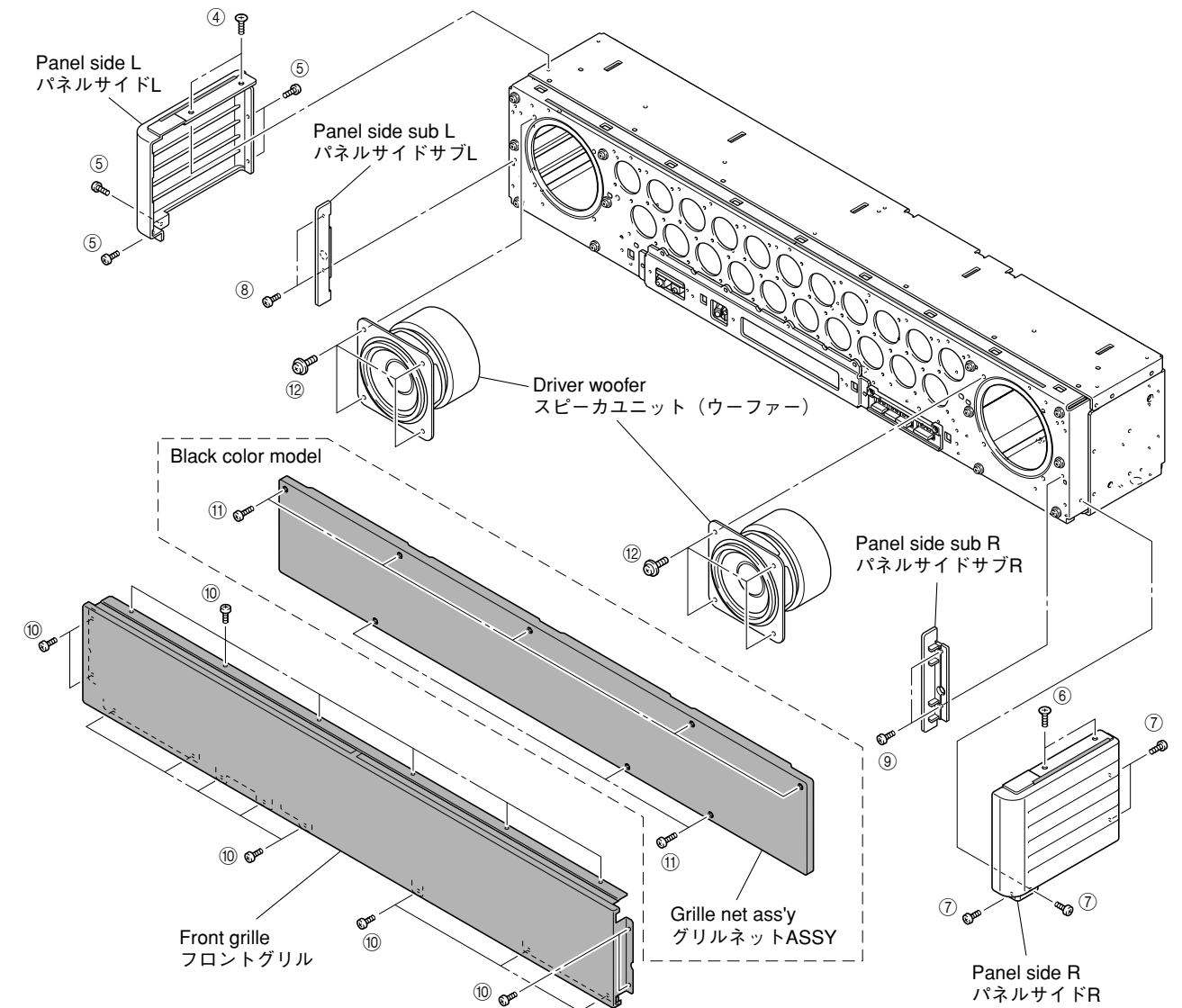


Fig. 3

■ UPDATING FIRMWARE / ファームウェアの書き込み

After replacing the following parts with the replacement parts, update the latest firmware according to the following procedure.

- DSP P.C.B.
- Microprocessor (IC16) of INPUT P.C.B.
- DSP1 (TI1 Flash ROM, IC12) of DSP P.C.B.
- DSP2 (TI2 Flash ROM, IC18) of DSP P.C.B.

● Required tools

• Program downloader programs

- For microprocessor..... FlashSta.exe
- For DSP1 (TI1 Flash ROM)..... DSP FLASHER (YSP_TI1).exe
- For DSP2 (TI2 Flash ROM)..... spDownloader_2_0_x_XXX.exe

• Firmware

- For microprocessor..... Y3000_vx.mot
- Y3000_vx.id
- For DSP1 (TI1 Flash ROM)..... Ysp3k4k_data1_Verx_xr.hex
- For DSP2 (TI2 Flash ROM)..... Y3KMPxxxxxA.bin

• RS232C cross cable “D-sub 9 pin female” (Specifications)

Pin No.2 RxD		Pin No.2 RxD
Pin No.3 TxD		Pin No.3 TxD
Pin No.5 GND		Pin No.5 GND
Pin No.7 RTS		Pin No.7 RTS
Pin No.8 CTS		Pin No.8 CTS

• RS232C conversion jig.

For the details, refer to page 107.

● Preparation and precautions before starting the operation

- Download firmware downloader program and firmware from the specified source to the same folder of the PC.
- Prepare the above specified RS232C cross cable.
- While writing, keep the other application software on the PC closed.
It is also recommended to keep the software on the task tray closed as well.

下記の部品をサービス部品に交換した場合、下記の手順により最新のファームウェアの書き込みを行ってください。

- DSP P.C.B.
- INPUT P.C.B.のマイコン (IC16)
- DSP P.C.B.のDSP1 (TI1 Flash ROM, IC12)
- DSP P.C.B.のDSP2 (TI2 Flash ROM, IC18)

● 必要なツール

- プログラム書き込み用プログラム
マイコン用..... FlashSta.exe
DSP1 (TI1 Flash ROM)用..... DSP FLASHER (YSP_TI1).exe
DSP2 (TI2 Flash ROM)用..... spDownloader_2_0_x_XXX.exe

• ファームウェア

- マイコン用..... Y3000_vx.mot
- Y3000_vx.id
- DSP1 (TI1 Flash ROM)用..... Ysp3k4k_data1_Verx_xr.hex
- DSP2 (TI2 Flash ROM)用..... Y3KMPxxxxxA.bin

• RS232Cクロスケーブル“D-sub 9pinメス” (仕様)

Pin No.2 RxD		Pin No.2 RxD
Pin No.3 TxD		Pin No.3 TxD
Pin No.5 GND		Pin No.5 GND
Pin No.7 RTS		Pin No.7 RTS
Pin No.8 CTS		Pin No.8 CTS

• RS232C 変換治具

詳細は107ページを参照してください。

● 操作前の準備と注意

- PCへ指定のダウンロード先からファームウェア書き込み用プログラムおよび、ファームウェアを同じフォルダにダウンロードしてください。
- RS232Cクロスケーブルは必ず上記仕様のもので用意してください。
- 書き込み時は、PC上の他のアプリケーションソフトは閉じてください。
さらに、タスクトレイ上にあるソフトも閉じておくことを推奨します。

● Operation Procedure

Writing to the microprocessor

- Turn off the power of main unit and disconnect the power cable from the AC outlet.
- Connect the writing port of the main unit to the serial port (RS232C) of the PC with RS232C cross cable, RS232C conversion jig and flexible flat cable as shown below. (Fig. 1)

● 操作方法

マイコンへの書き込み

- 本機の電源を切り、電源コードをACコンセントから抜きます。
- 本機の書き込み用ポートとPCのシリアルポート (RS232C) を下記のように接続します。(Fig. 1)

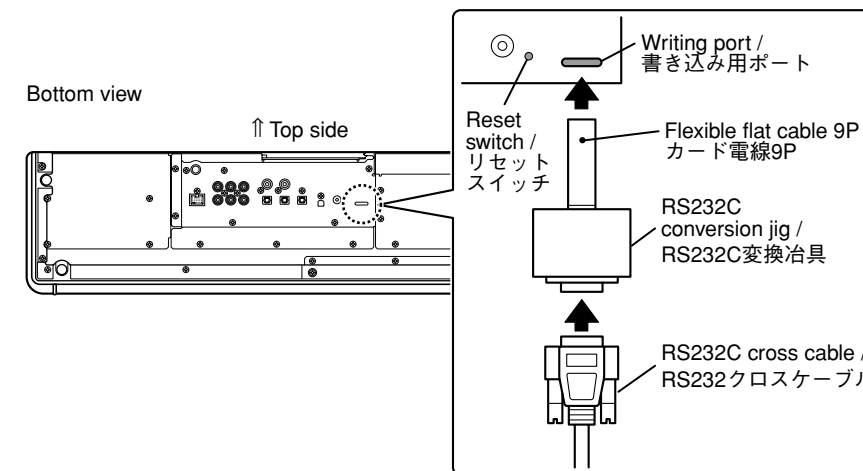


Fig. 1

- While pressing the reset switch of main unit, connect the power cable to the AC outlet. (Fig. 1)
* Use a fine tipped pin or the like to push the reset switch.
- Start up FlashSta.exe, the screen will appear as shown below. (Fig. 2)

- 本機のリセットスイッチを押しながら、電源コードをACコンセントに接続します。(Fig. 1)
※ リセットスイッチは、先の細いピンなどで押してください。
- FlashSta.exeを立ち上げます。
すると下記の画面が表示されます。(Fig. 2)

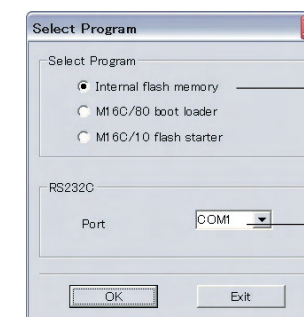


Fig. 2

- Select the data to be transmitted and port. (Fig. 2)

- **Select Program**
Select Internal flash memory
- **RS232C**
Select the port of RS-232C
* For selection of the port, COM1 to 4 can be used. As COM5 or higher port cannot be used, select out of COM 1 to 4 of the setting on the PC side.

- 送信データ、ポートを選択します。(Fig. 2)

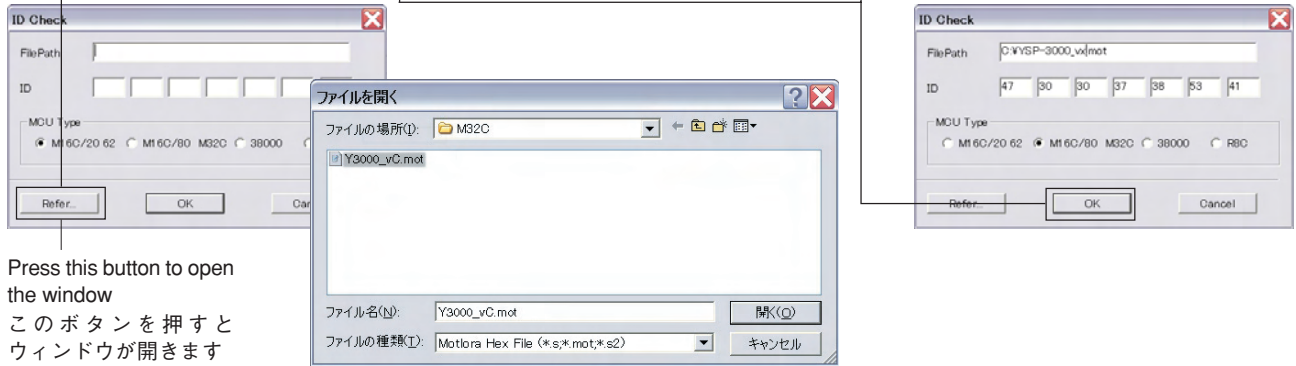
- **Select Program**
Internal flash memoryを選択します。
- **RS232C**
接続しているRS-232Cポートを選択します。
※ ポートの選択はCOM1~4までが使用できます。COM5以上は使用できませんので、PC側の設定でCOM1~4を選択してください。

6. Press the [Refer...] button. And select the firmware name. (Fig. 3)

* The ID code and MCU type are loaded when the file is selected. (Fig. 3)
Press the [OK] bottom. (Fig. 3)

6. [Refer...]ボタンを押し、書き込むファームウェアを選択します。(Fig. 3)

※ ID、およびMCU Typeは書き込みファイル選択時、自動的に取り込まれます。(Fig. 3)
[OK]ボタンを押します。(Fig. 3)

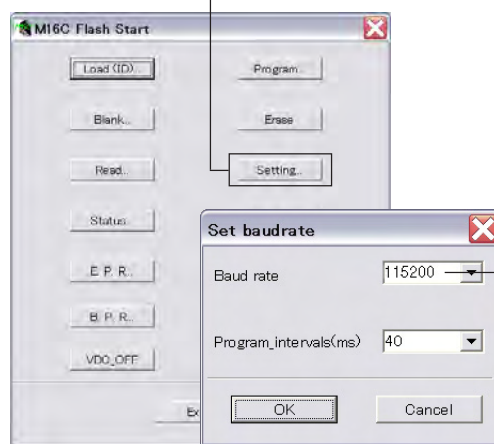


Press this button to open the window
このボタンを押すとウィンドウが開きます

Fig. 3

7. Press the [Setting] button and set the baud rate. (Fig. 4)

7. [Setting]ボタンを押し、通信速度の設定を行います。(Fig. 4)



Select 115200bps or below for the baud rate.

* Reduce the baud rate if a transmission error occurs frequently.

通信速度は115200bps以下を選択します

※ 送信エラーが多発する場合は、通信速度を下げてください。

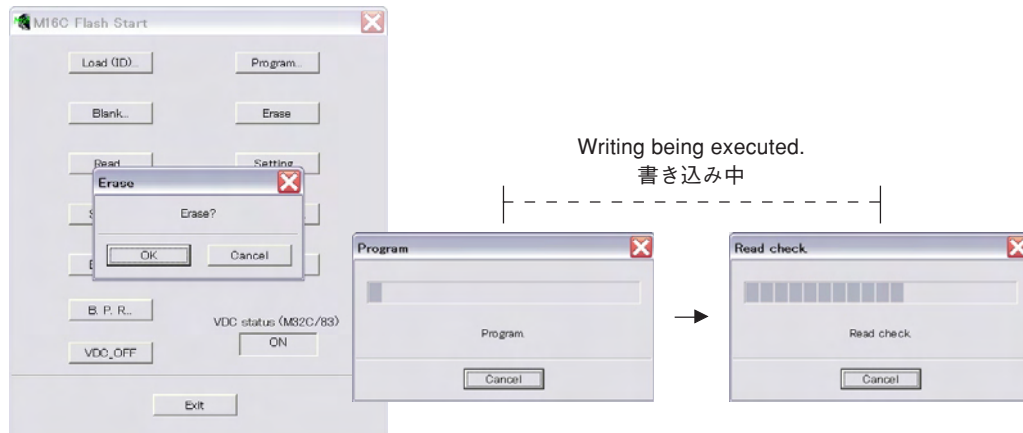
Fig. 4

8. Press the [E.P.R.] button, the screen appears as shown below. (Fig. 5)

Press the [OK] button and start writing. (Fig. 5)

8. [E.P.R.]ボタンを押すと、下記の画面が表示されます。(Fig. 5)

[OK]ボタンを押し、書き込みを開始します。(Fig. 5)



Writing being executed.
書き込み中

Fig. 5

9. When the program transmission is completed, the screen appears as shown below. (Fig. 6)
The press the [OK] button to end the procedure.

9. プログラムの送信が終了すると、下記の画面が表示され、[OK]ボタンを押して完了します。(Fig. 6)

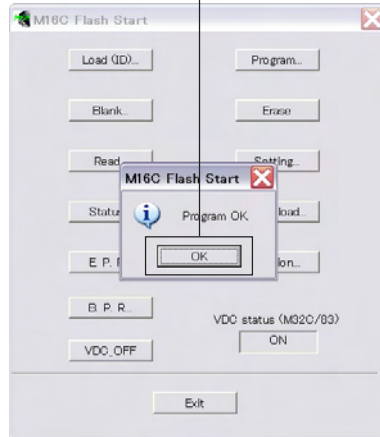


Fig. 6

10. Disconnect the power cable of main unit from the AC outlet.
11. End "FlashSta. exe."
12. Disconnect the RS232C cross cable, RS232C conversion jig and flexible flat cable.

10. 本機の電源コードをACコンセントから抜きます。
11. "FlashSta.exe"を終了します。
12. RS232Cクロスケーブル、RS232C変換アダプターカード電線を取り外します。

• **Confirmation of firmware version and checksum**
Confirm the firmware is updated successfully with the self-diagnostic function.
For more information, refer to "SELF-DIAGNOSTIC FUNCTION".

• **ファームウェアのバージョンおよびチェックサムの確認**
ダイアグメニューでファームウェアが正しく更新されたことを確認します。
ダイアグメニューの詳細は「自己診断(ダイアグ)」を参照してください。

1. Reconnect the power cable of main unit to the AC outlet.
2. While pressing the "VOL+" key and "VOL-" key of the main unit, press the "STANDBY/ON" key of the remote control to activate the self-diagnostic function. Then the self-diagnostic function is activated.
3. Select the self-diagnostic function menu "19-1. Version". Check the displayed firmware version is the same as the written firmware version.

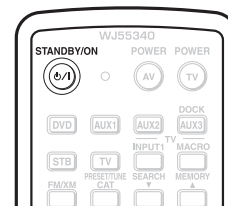
1. 本機の電源コードをACコンセントに接続します。
2. 本機の"VOL+"キーと"VOL-"キーを押しながら、リモコンの"電源"キーを押し、ダイアグを起動します。
3. ダイアグ"19-1. Version"を選択します。
表示されたファームウェアのバージョンが書き込んだファームウェアのバージョンと同じであることを確認します。

Key of main unit / 本体キー

Press the "STANDBY/ON" key of the remote control while pressing these keys.
これらのキーを同時に押しながら、リモコンの"電源"キーを押します。



Key of remote control / リモコンキー



VER. C_2.0017

- Select the self-diagnostic function menu "19-2. checksum". Check the displayed checksum is the same as the written firmware checksum.

CHECK SUM:FAAF

* When the displayed firmware version and checksum are different from written firmware version and checksum, follow the steps from 1 to 9 of "Writing to the microprocessor" again.

- ダイアグ"19-2. checksum"を選択します。表示されたチェックサムが書き込んだファームウェアのチェックサムと同じであることを確認します。

※ 表示されたファームウェアのバージョンおよびチェックサムが、書き込んだファームウェアのバージョン、およびチェックサムと異なる場合、マイコンへの書き込みの1から9までをもう一度実施してください。

• **Initializing of the main unit**

* After updating the firmware, be sure to initialize the main unit.

- Connect the power cable of main unit to the AC outlet.
- While pressing the "VOL+" key and "VOL-" key of the main unit, press the "STANDBY/ON" key of the remote control to activate the self-diagnostic function. Then the self-diagnostic function is activated.
- Select the self-diagnostic function menu "8. FACTORY PRESET".
- Select the "PRESET RSRV".

• **本機の初期化**

※ ファームウェアのアップデート後は、必ず本機を初期化してください。

- 本機の電源コードをACコンセントに接続します。
- 本機の"VOL+"キーと"VOL-"キーを押しながら、リモコンの"電源"キーを押し、ダイアグを起動します。
- ダイアグ"8. FACTORY PRESET"を選択します。
- "PRESET RSRV"を選択します。

PRESET INHIBIT (Initialization inhibited) / 初期化禁止

8. PRESET INHI



PRESET RESERVED (Initialization reserved) / 初期化予約

8. PRESET RSRV

- Turn off the power of main unit and disconnect the power cable from the AC outlet.

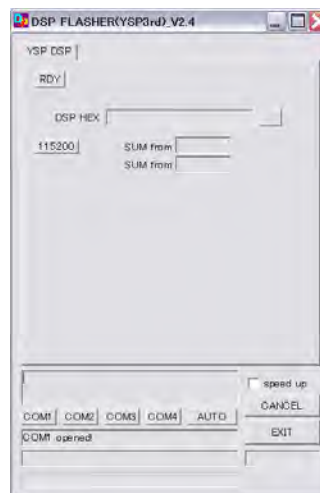
- 本機の電源を切り、電源コードをACコンセントから抜きます。

Writing to the DSP1

- Before turning on the power to main unit and PC, connect each of them using RS232C conversion jig and RS232C cable (cross cable). (Fig. 1)
- Start up DSP_FLASHER(YSP).exe, the screen will appear as shown below.

DSP1への書き込み

- 本機とPCの電源を入れる前にそれぞれをRS232C変換治具を使い、RS232Cケーブル(クロスケーブル)で接続します。(Fig. 1)
- PCのDSP_FLASHER(YSP).exeを立ち上げます。すると下記の画面が表示されます。

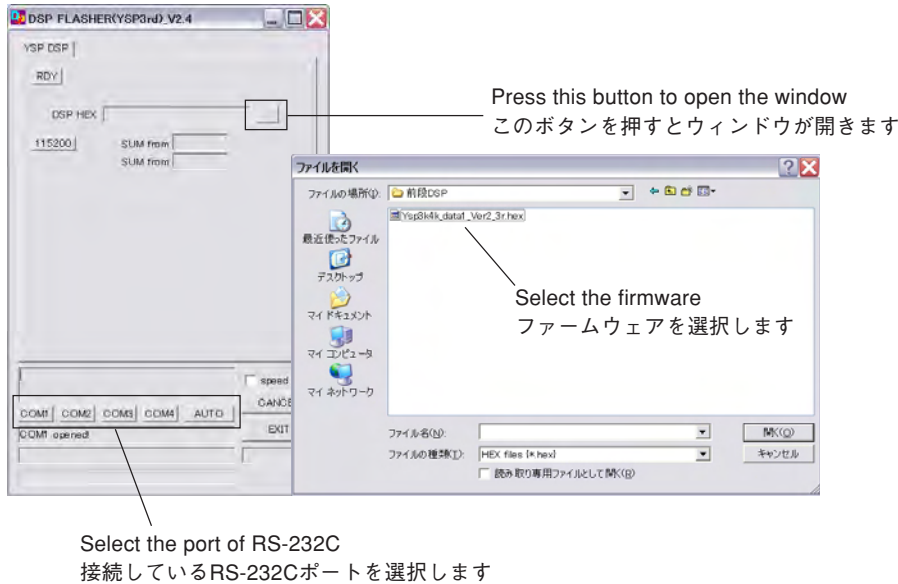


3. Select the data to be transmitted and port.

- **DSP HEX FILE**
Select "YSPx00_verxxxx.hex".
- **RS232C**
Select the port of RS-232C.

3. 送信データ、ポートを選択します。

- **DSP HEX FILE**
"YSPx00_verxxxx.hex"を選択します。
- **RS232C**
接続しているRS-232Cポートを選択します。



* The port selection varies depending on OS of the PC.
Windows 98/2000/Me COM1~4
Windows XP COM1~2
As no port other than the above can be used, select the port using the setting of the PC.

※ ポートの選択はPC側のOSによって異なります。
Windows 98/2000/Me COM1~4
Windows XP COM1~2
上記ポート以外は使用できませんので、PC側の設定でポートを選択してください。

4. Press the [RDY] button to set to the standby mode.

4. [RDY]ボタンを押し待機状態にします。



5. Connect the power cable of main unit to the AC outlet. While pressing the “VOL+” key and “VOL-” key of the main unit, press the “STANDBY/ON” key of the remote control to activate the self-diagnostic function.

5. 本機の電源コードをACコンセントに接続し、本機の“VOL+”キーと“VOL-”キーを押しながら、リモコンの“電源”キーを押し、ダイアグを起動します。

① Using the “UP” or “DOWN” key of the remote control, select the self-diagnostic function menu in the figure below.

① リモコンの“UP”キーまたは“DOWN”キーを使い、下図のダイアグメニューを選択します。

```
TxTestCh [---]
```

② Using the “LEFT” or “RIGHT” key of the remote control, select the self-diagnostic function sub-menu in the figure below.

② リモコンの“LEFT”キーまたは“RIGHT”キーを使い、下図のダイアグメニューを選択します。

```
T1 Write [OFF]
```

③ Using the “ENTER” key of the remote control, make a change as shown below.

③ リモコンの“決定”キーを使い、下図のように変更します。

```
T1 Write [ON ]
```

Change OFF to ON
OFF → ONに変更します

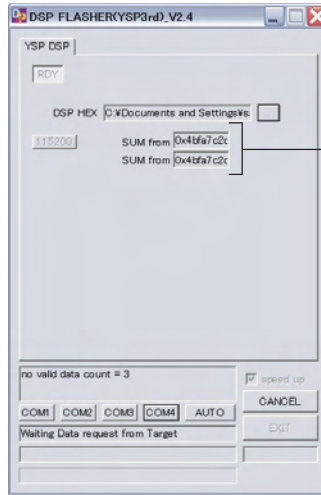
6. When the program transmission is completed, the screen appears as shown below.

6. プログラムの送信が終了すると、以下の画面が表示されます。



7. Check the SUM.
After downloading successfully, the value of "SUM from SET" is appeared.
The procedure is completed when the value is obtained for "SUM from FILE" and "SUM from SET".

7. SUM値を確認します。
書き込み完了後"SUM from SET"が表示されます。
"SUM from FILE"と"SUM from SET"の値が同様になれば完了です。



Confirm the value of SUM
SUM値を確認します

8. Press the "STANDBY/ON" key of the main unit to turn off the power.
9. Disconnect the power cable of main unit from the AC outlet.
10. End "FlashSta. exe."
11. Disconnect the RS232C cross cable, RS232C conversion jig and flexible flat cable.
* When the displayed firmware version and checksum are different from written firmware version and checksum, follow the steps from 1 to 8 of "Writing to the microprocessor" again.

8. 本機の"STANDBY/ON"キーを押し、電源オフします。
9. 本機の電源コードをACコンセントから抜きます。
10. "DSP FLASHER"を終了します。
11. RS232Cクロスケーブル、RS232C変換アダプター、カード電線を取り外します。
※ 表示されたファームウェアのバージョンおよびチェックサムが、書き込んだファームウェアのバージョン、およびチェックサムと異なる場合、マイコンへの書き込みの1から8までをもう一度実施してください。

• **Initializing of the main unit**

- * After updating the firmware, be sure to initialize the main unit.
1. Connect the power cable of main unit to the AC outlet.
 2. While pressing the "VOL+" key and "VOL-" key of the main unit, press the "STANDBY/ON" key of the remote control to activate the self-diagnostic function.
Then the self-diagnostic function is activated.
 3. Select the self-diagnostic function menu "8. FACTORY PRESET".
 4. Select the "PRESET RSRV".

• **本機の初期化**

- * ファームウェアのアップデート後は、必ず本機を初期化してください。
1. 本機の電源コードをACコンセントに接続します。
 2. 本機の"VOL+"キーと"VOL-"キーを押しながら、リモコンの"電源"キーを押し、ダイアグを起動します。
 3. ダイアグ"8. FACTORY PRESET"を選択します。
 4. "PRESET RSRV"を選択します。

PRESET INHIBIT (Initialization inhibited) / 初期化禁止

8. PRESET INHI



PRESET RESERVED (Initialization reserved) / 初期化予約

8. PRESET RSRV

5. Turn off the power of main unit and disconnect the power cable from the AC outlet.

5. 本機の電源を切り、電源コードをACコンセントから抜きます。

Writing to the DSP2

1. Install spDownloader_2_0_x_xxx.exe into the PC.
2. Before turning on the power to main unit and PC, connect each of them using RS232C conversion jig and RS232C cable (cross cable). (Fig. 1)
3. Connect the power cable of main unit to the AC outlet. While pressing the "VOL+" key and "VOL-" key of the main unit, press the "STANDBY/ON" key of the remote control to activate the self-diagnostic function.

- ① Using the "UP" or "DOWN" key of the remote control, select the self-diagnostic function menu in the figure below.
- ② Using the "LEFT" or "RIGHT" key of the remote control, select the self-diagnostic function sub-menu in the figure below.

TxTestCh [---]

- ③ Using the "ENTER" key of the remote control, make a change as shown below.

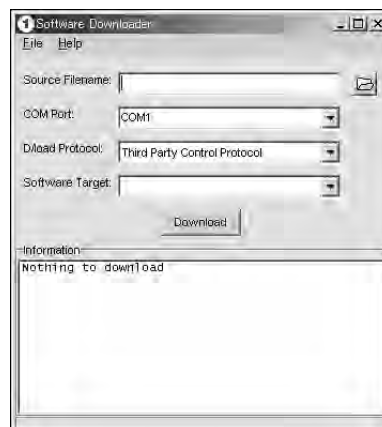
RS232C: YAMAHA

- ④ For restarting, use the "STANDBY/ON" key of the main unit or the remote control.

RS232C: 1Ltd.

Change YAMAHA to 1Ltd.
YAMAHA → 1Ltd.に変更します

4. Start up spDownloader_2_0_x_xxx.exe, the screen will appear as shown below.



DSP2への書き込み

1. PCにspDownloader_2_0_x_xxx.exeをインストールします。
2. 本機とPCの電源を入れる前にそれぞれをRS232C変換治具を使い、RS232Cケーブル(クロスケーブル)で接続します。(Fig. 1)
3. 本機の電源コードをACコンセントに接続し、本機の"VOL+"キーと"VOL-"キーを押しながら、リモコンの"電源"キーを押し、ダイアグを起動します。

- ① リモコンの"UP"キーまたは"DOWN"キーを使い、下図のダイアグメニューを選択します。
- ② リモコンの"LEFT"キーまたは"RIGHT"キーを使い、下図のダイアグメニューを選択します。

- ③ リモコンの"決定"キーを使い、下図のように変更します。

- ④ 本機またはリモコンの"電源"キーで再起動します。

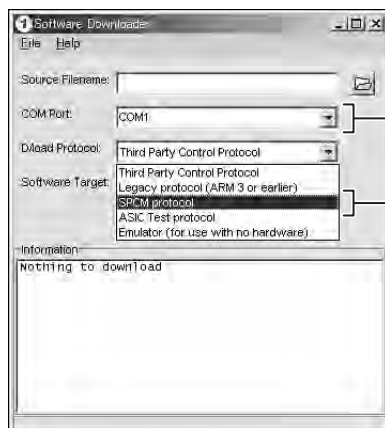
4. PCのspDownloader_2_0_x_xxx.exeを立ち上げます。すると下記の画面が表示されます。

5. Select the data to be transmitted and port.

- **COM Port**
Select the port of RS-232C.
- **D/load Protocol**
Select "SPCM protocol"

5. 送信データ、ポートを選択します。

- **COM Port**
接続しているRS-232Cポートを選択します。
- **D/load Protocol**
SPCMプロトコルを選択します。



Select the port of RS-232C
接続しているRS-232Cポートを選択します

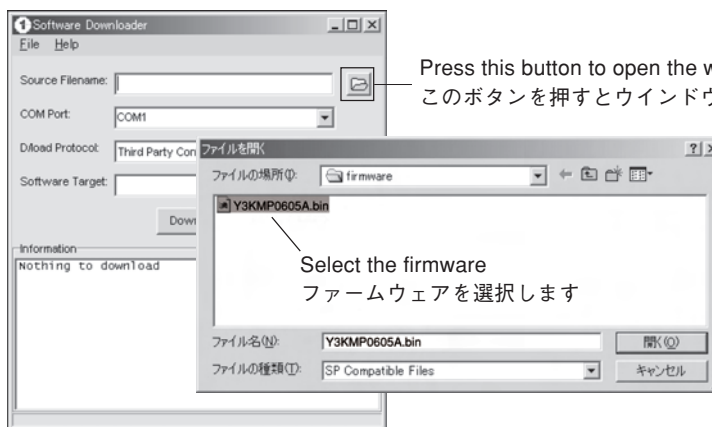
Select SPCM protocol
SPCMプロトコルを選択します

6. Select firmware and execute writing as follows.

7. Press the button beside the Source Filename box. And select the firmware.
SPID: Y3xxxxxxxxx.bin

6. ファームウェアを選択し、書き込みを行います。

7. フォルダボタンを押し、書き込むファームウェアを選択します。
SPID : Y3xxxxxxxxx.bin

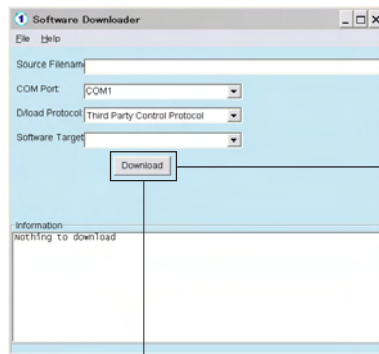


Press this button to open the window
このボタンを押すとウィンドウが開きます

Select the firmware
ファームウェアを選択します

8. Confirm Software Target and press the [Download] button.

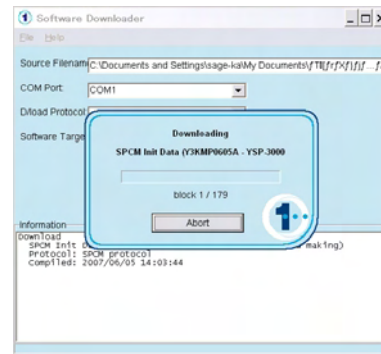
* When Source Filename is selected, Software Target box is selected automatically.



Start Download
このボタンを押すと書き込みが開始されます

8. Software Target項目を確認し、[Download]ボタンを押します。

※ Software Target項目は書き込みファイル選択時、自動的に選択されます。



During downloading
書き込み中

9. After downloading successfully, “Downloaded ‘*****’ OK” is appeared.

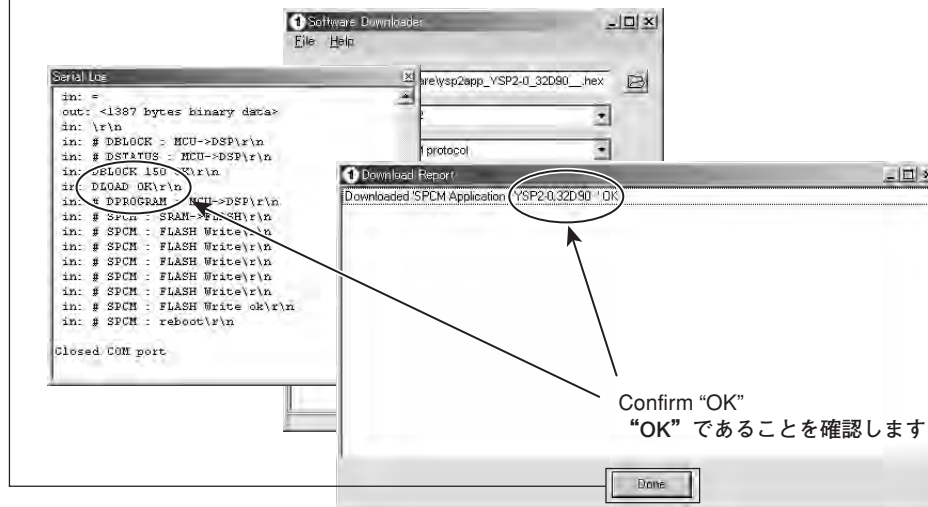
Confirm “DLOAD OK” on the Serial Log window.

10. Press the [Done] button.

9. 書き込み完了後、“Downloaded ‘*****’ OK”が表示されます。

Serial Logウィンドウの“DLOAD OK”を確認します。

10. [Done]ボタンを押します。



11. Press the “STANDBY/ON” key of the main unit to turn off the power.

11. 本機の“STANDBY/ON”キーを押し、電源オフします。

12. While pressing the “VOL+” key and “VOL-” key of the main unit, press the “STANDBY/ON” key of the remote control to activate the self-diagnostic function.

12. 本機の“VOL+”キーと“VOL-”キーを押しながら、リモコンの“電源”キーを押し、ダイアグを起動します。

① Using the “UP” or “DOWN” key of the remote control, select the self-diagnostic function menu in the figure below.

① リモコンの“UP”キーまたは“DOWN”キーを使い、下図のダイアグメニューを選択します。

TxTestCh [---]

② Using the “LEFT” or “RIGHT” key of the remote control, select the self-diagnostic function sub-menu in the figure below.

② リモコンの“LEFT”キーまたは“RIGHT”キーを使い、下図のダイアグメニューを選択します。

RS232C: 1Ltd.

③ Using the “RETURN” key of the remote control, make a change as shown below.

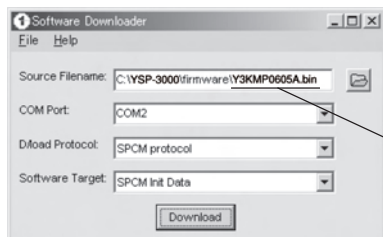
③ リモコンの“戻る”キーを使い、下図のように変更します。

RS232C: YAMAHA

Change 1Ltd. to YAMAHA
1Ltd. → YAMAHAに変更します

④ Check the version of the firmware. Using the “LEFT” key or “RIGHT” key of the remote control, have the self-diagnostic function menu displayed as in the figure below. The procedure is completed when the same version as shown below is obtained.

④ ファームウェアのバージョンを確認します。リモコンの“LEFT”キーまたは“RIGHT”キーを使い、下図のダイアグメニューを表示します。以下のように同様のバージョンになれば完了です。



SPD: Y3KMP0605A

SPID version
SPIDのバージョン

13. Press the “STANDBY/ON” key of the main unit to turn off the power.
14. Disconnect the power cable of main unit from the AC outlet.
15. End “spDownloader_2_0_x_xxx.exe.”
16. Disconnect the RS232C cross cable, RS232C conversion jig and flexible flat cable.

* When the displayed firmware version and checksum are different from written firmware version and checksum, follow the steps from 1 to 13 of “Writing to the microprocessor” again.

• Initializing of the main unit

* After updating the firmware, be sure to initialize the main unit.

1. Connect the power cable of main unit to the AC outlet.
2. While pressing the “VOL+” key and “VOL-” key of the main unit, press the “STANDBY/ON” key of the remote control to activate the self-diagnostic function. Then the self-diagnostic function is activated.
3. Select the self-diagnostic function menu “8. FACTORY PRESET”.
4. Select the “PRESET RSRV”.

PRESET INHIBIT (Initialization inhibited) /
初期化禁止

8. PRESET INHI



PRESET RESERVED (Initialization reserved) /
初期化予約

8. PRESET RSRV

5. Turn off the power of main unit and disconnect the power cable from the AC outlet.

13. 本機の“STANDBY/ON”キーを押し、電源オフします。
14. 本機の電源コードをACコンセントから抜きます。
15. “spDownloader_2_0_x_xxx.exe”を終了します。
16. RS232Cクロスケーブル、RS232C変換アダプター、カード電線を取り外します。

※ 表示されたファームウェアのバージョンおよびチェックサムが、書き込んだファームウェアのバージョン、およびチェックサムと異なる場合、マイコンへの書き込みの1から13までをもう一度実施してください。

• 本機の初期化

※ ファームウェアのアップデート後は、必ず本機を初期化してください。

1. 本機の電源コードをACコンセントに接続します。
2. 本機の“VOL+”キーと“VOL-”キーを押しながら、リモコンの“電源”キーを押し、ダイアグを起動します。
3. ダイアグ“8. FACTORY PRESET”を選択します。
4. “PRESET RSRV”を選択します。

5. 本機の電源を切り、電源コードをACコンセントから抜きます。

■ SELF-DIAGNOSTIC FUNCTION / ダイアグ(自己診断機能)

This unit has self-diagnostic functions that are intended for inspection, measurement and location of faulty point.

There are 21 main menu items, each of which has sub-menu items.

Listed in the table below are main menu items and sub-menu items.

Note that not all menu items listed will apply to the models covered in this service manual.

本機には、検査、測定、不良個所の発見を目的にしたダイアグ(自己診断機能)があります。

メインメニューは21個あり、そのそれぞれにサブメニューがあります。

下表はメインメニュー一覧です。

下表の全メインメニュー項目が、このサービスマニュアル記載のモデルに適用されるとは限りません。

No.	Main menu	Sub-menu
1	DSP THROUGH	1. ALL
		2. FRONT L
		3. CENTER
		4. FRONT R
		5. SURROUND R
		6. SURROUND L
		7. LFE
2	RAM THROUGH	1. ALL
		2. FRONT L
		3. CENTER
		4. FRONT R
		5. SURROUND R
		6. SURROUND L
		7. LFE
3	PRO LOGIC / Neo:6	1. PRO LOGIC I (PRO LOGIC EMULATION)
		2. PRO LOGIC II
		3. Neo: 6
4	MIC CHECK	1. MIC CHECK
5	VFD CHECK	1. VFD CHECK (Initial display / 初期表示)
		2. VFD DISP OFF (All segments OFF / 全セグメント消灯)
		3. VFD DISP ALL (All segments ON 100% / 全セグメント点灯100%)
		4. VFD DIMMER (All segments ON 50% / 全セグメント点灯50%)
		5. CHECKED PATTERN (ON in lattice / 格子状点灯)
		6. CHECKED SEGMENT (1 segment lighting / 1セグメント点灯)
6	MANUAL TEST	1. TEST ALL
		2. TEST FRONT L
		3. TEST CENTER
		4. TEST FRONT R
		5. TEST SURROUND R
		6. TEST SURROUND L
		7. TEST LFE
7	RS-232C (Not applied to these models. / このモデルには適用されません)	1. TxD/RxD DATA
		2. HARD FLOW
8	FACTORY PRESET	1. PRESET INHIBIT (memory initialization inhibited / メモリーの初期化禁止)
		2. PRESET RESERVED (memory initialized / メモリーの初期化)
9	AD DATA CHECK	1. PS (protection1)
		2. P2 (protection2)
		3. P3 (protection3)
		4. K0 / K1 (panel key)
10	IF STATUS	1. IS 1
		2. IS 2
		3. IS 3
		4. CS 1
		5. CS 2
		6. CS 3
		7. CS 4
		8. CS 5
		9. CS 6
		10. BS 1
		11. BS 2
		12. BS 3
		13. BS 4
		14. BS 5
		15. BS 6
		16. BS 7
		17. DS 1
		18. DS 2
		19. T 11
		20. T 12
		21. T 13
		22. T 21
		23. T 22
		24. T 23

No.	Main menu	Sub-menu
		25. Y 11 (Not applied to these models. / このモデルには適用されません)
		26. Y 12 (Not applied to these models. / このモデルには適用されません)
		27. Y 21 (Not applied to these models. / このモデルには適用されません)
		28. Y 22 (Not applied to these models. / このモデルには適用されません)
		29. Y 31 (Not applied to these models. / このモデルには適用されません)
		30. Y 32 (Not applied to these models. / このモデルには適用されません)
		31. MTT
11	DOCK CHECK (U, C, A, B models)	1. LOOP TEST/ACC PWR/CONNECT
12	XM CHECK (U, C models)	1. 1 dB / 1 KHz (44.1 kHz)
		2. -61 dB / 1 KHz (44.1 kHz)
		3. Mute (44.1 kHz)
		4. XM TONE (44.1 kHz)
		5. ISO TONE (44.1 kHz)
		6. 1 dB / 1 KHz (32 kHz)
		7. -61 dB / 1 KHz (32 kHz)
		8. Mute (32 kHz)
		9. XM TONE (32 kHz)
		10. ISO TONE (32 kHz)
		11. Bus Power ON/OFF
13	DAB CHECK (B model)	1. SCL DISPLAY
		2. DSL DISPLAY
		3. SIGNAL QUALITY
		4. DAB F/W VERSION
		5. DAB F/W VERSION 1-10
		6. DAB F/W VERSION 11-20
		7. DAB F/W VERSION 21-30
		8. DAB F/W VERSION 31-40
		9. DAB F/W VERSION 41-50
		10. DAB F/W VERSION 51-60
		11. DAB F/W VERSION 61-64
		12. DAB SCAN
14	HDMI AUDIO	1. SPDIF
15	HDMI INFORMATION	1. HDMI MODEL NAME
		2. SELF PRODUCT ID
		3. SELF VENDOR NAME
		4. CEC RECEIVE DATA
16	HDMI SELECT	1. NONE
		2. IN 1
		3. IN 2
		4. DECODER
17	VIDEO CONVERSION	1. I2C READ WRITER
		2. DIGITAL COMP
		3. DIGITAL CVBS
		4. DIGITAL Y/C
		5. ANALOG BYPASS
		6. TEST PATTERN
		7. VIDEO INFO
18	MODEL	1. MODEL SETTING
		2. TUNER DESTINATION
		3. VIDEO FORMAT
19	ROM VERSION / SUM	1. VERSION (DSP ALL)
		2. SUM (ALL BOOT)
		3. CEC UPDATE
		4. CEC CPU VERSION DISPLAY
20	DATE	1. OPE 1
		2. DIGI
		3. OPE 2
		4. OPE 3
		5. OPE 4
		6. PROTECT
		7. CEC CODE OUT
		8. REMOTE CONTROL CODE
21	DSP CHECK	1. Tx Test Ch
		2. Tx Test
		3. T1 CHECK
		4. T2 CHECK
		5. RS232C BOOT
		6. Cert. Mode
		7. T1V
		8. T1D
		9. APP
		10. CSC
		11. SPD
		12. VR1
		13. T1 Write

● Starting Self-Diagnostic Function

To activate the self-diagnostic function, press the “STANDBY/ON” key of the remote control while pressing the keys of the main unit as shown below at the same time.

Key of main unit / 本体キー

Press the “STANDBY/ON” key of the remote control while pressing these keys.
これらのキーを同時に押しながら、リモコンの“電源”キーを押します。



● Starting Self-Diagnostic Function in the protection cancel mode

If the protection function works and causes hindrance to trouble diagnostic, cancel the protection function as described below, and it will be possible to enter the self-diagnostic function mode.

Press the “STANDBY/ON” key of the remote control while simultaneously pressing those two keys indicated in the figure above. At this time, keep pressing those two keys for 3 seconds or longer.

In this mode, the “SLEEP” segment of the FL display of the main unit flashes to indicate that the mode is self-diagnostic function mode with the protection functions disabled.

CAUTION!

Using this product with the protection function disabled may cause damage to itself. Use special care for this point when using this mode.

● Canceling Self-Diagnostic Function

[1] Before canceling self-diagnostic function, execute setting for PRESET of main menu No.8 (Memory initialization inhibited or Memory initialized).

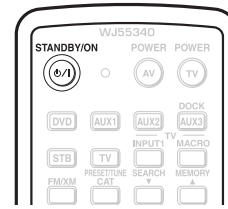
* In order to keep the user memory stored, be sure to select PRESET INHIBIT (Memory initialization inhibited). Any protection history will remain in memory.

[2] Turn off the power by pressing the “STANDBY/ON” key of the main unit or the “STANDBY/ON” key of the remote control.

● ダイアグの起動

本体の下図に示すキーを同時に押しながらリモコンの“電源”キーを押すと、ダイアグが起動します。

Key of remote control / リモコンキー



● プロテクション解除モードでの起動

プロテクションが動作することにより、故障箇所の診断に支障をきたすような場合は、次の方法によりプロテクションを解除した状態でダイアグに入ることができます。

上図のキーを同時に押しながらリモコンの“電源”キーを押します。このとき、上図のキーを3秒以上押し続けてください。

このモードでは本体FLの“SLEEP”セグメントが点滅し、プロテクションを解除した状態でのダイアグモードであることを知らせます。

注意!

プロテクションを解除した状態でのダイアグモードは、危険な状態でもプロテクションが作動しないため、動作させると、機器を破壊することがあります。このモードを使用する場合は十分注意してください。

● ダイアグの解除

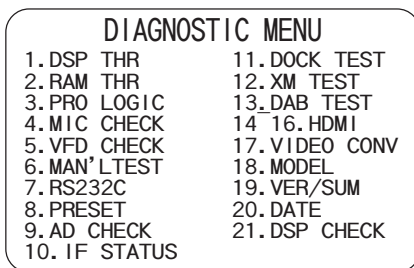
① ダイアグを解除する前に、メインメニューNo.8のFACTORY PRESET (メモリーの初期化禁止/またはメモリーの初期化)の設定をします。

※ ユーザーメモリーを保持したい場合は、必ずPRESET INHIBIT (メモリー初期化禁止)を選択してください。

② 本体の“電源”キーまたはリモコンの“電源”キーを押し、電源オフにします。

● **Display provided when Self-Diagnostic Function started**

When the monitor is connected, the list of main menu items is displayed of the monitor screen as shown below. (This list remains on display until the self diagnostic function is cancelled.)



● **ダイアグ起動時の表示**

モニターを接続してある場合は、モニターの画面に下図のようにメインメニューの一覧が表示されます。(ダイアグを解除するまで、この表示が保持されます)

The FL display of the main unit displays the protection function history data and the version (1 alphabet) and the self-diagnostic function menu [sub-menu (THR ALL) of main menu No.1 DSP THROUGH] a few seconds later.

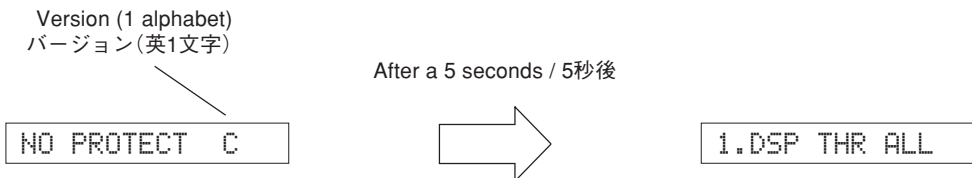
本体のFLディスプレイにプロテクション履歴情報とバージョン(英1文字)が表示され、数秒後にダイアグ(メインメニュー No.1 DSP THROUGHのサブメニュー-THR ALL)になります。

When there is no history of protection function:

プロテクション履歴がない場合:

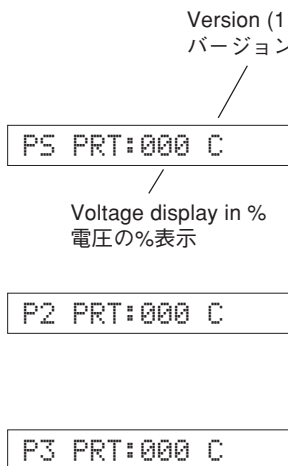
Opening message / オープニング表示

Main menu display / メインメニュー表示



When there is a history of protection function:

プロテクション履歴がある場合:



Cause: The voltage in the power supply section is abnormal.
Supplementary information: The abnormal voltage is displayed in % based on 3.3V as 100%.

原因：電源部の電圧が異常。
 補足：異常時の電圧の状態を、3.3Vを100%とした値で%表示します。

Turning on the power without correcting the abnormality will cause the protection function to work 1.5 second later and the power supply will be shut off.

異常状態のまま電源オンすると、1.5秒後にプロテクションがかかり、電源が切れます。

Version (1 alphabet)
バージョン(英1文字)

D-I_PROTECT C

Cause: Amplifier IC is abnormal.

原因：アンプICが異常。

Turning on the power without correcting the abnormality will cause the protection function to work 2 second later and the power supply will be shut off.

異常状態のまま電源オンすると、2秒後にプロテクションがかかり、電源が切れます。

DIG MUTE PRT

Cause: Control section is abnormal.

原因：制御部が異常。

If there is an abnormality between the microprocessor and DSP1, the protection function works 25 seconds later and the power is turned off.

マイコンとDSP1との間で異常があると、25秒後にプロテクションがかかり、電源が切れます。

● **History of protection function**

When the protection function has worked, its history is stored in memory with a backup. Even if no abnormality is noted while servicing the unit, an abnormality which has occurred previously can be defined as long as the backup data has been stored.

The history of the protection function is cleared when self-diagnostic function is cancelled by selecting PRESET RESERVED (Memory initialized) of main menu No. 8 or when the backup data is erased.

* To clear the protection history only, use the sub-menu No. 6 "PROTECT His (PrHist ← RESET) of main menu No. 20".

● **プロテクションの履歴**

プロテクションが働いた場合、履歴をバックアップして記憶しています。サービスのときに異常が認められなくても、バックアップが残っていれば、お客様のところで起きた異常を区別できます。

プロテクションの履歴は、メインメニューNo. 8で PRESET RESERVED (メモリーの初期化)を選んでダイアグを解除した場合や、バックアップが消えたときにはクリアされます。

※ プロテクション履歴のみクリアしたい場合は、メインメニューNo.20のサブメニューNo. 6“PROTECT Hist (PrtHist←RESET)”でクリアできます。

● Display during Self-Diagnostic Function operation

During the self-diagnostic function operation, the menu list described in the section of the startup screen appears on the superimposed screen and the function at work is indicated on the FL indicator. The contents displayed during the function operation are described in the later section on details of functions.

● Operation procedure of Main menu and Sub-menu

There are 21 main menu items, each of which has some sub-menu items.

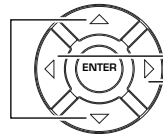
Main menu selection

Select the main menu by using the UP/DOWN “△” (Reverse) “▽” (Forward) key of the remote control.

Sub-menu selection

Select the sub-menu by using the LEFT/RIGHT “◀” (Reverse) “▶” (Forward) keys.

Main menu selection
メインメニューの選択



Sub-menu selection
サブメニューの選択

● Functions in Self-Diagnostic Function mode

In addition to the self-diagnostic function items, functions as listed below are available.

- Input selection
- Muting
- Level adjustment
- Power on/off
- Master volume

* Functions related to the set menu are not available.

● Initial settings used to start Self-Diagnostic Function

The following initial settings are used when starting self-diagnostic function.

When self-diagnostic function is canceled, these settings are restored to those before starting self-diagnostic function.

- Master volume: 30dB (-40dB)
- Input: TV/STB
- Effect level: 0dB
- Audio mute: OFF
- Main menu: DSP THR ALL

● ダイアグ動作中の表示

ダイアグ動作中、モニター画面には起動画面の項で説明したメニュー一覧が表示されます。本体のFLディスプレイには動作中の機能が表示されます。機能動作中の表示内容については、後述の機能詳細で記述します。

● メインメニューとサブメニューの操作

ダイアグにはNo. 1~21のメニューがあり、そのそれぞれにサブメニューがあります。

メインメニューの選択

リモコンのUP/DOWN “△” (逆送り)、“▽”(順送り)キーで選択します。

サブメニューの選択

リモコンのLEFT/RIGHT “◀”(逆送り)、“▶”(順送り)キーで選択します。

● ダイアグ中の機能

ダイアグP、ダイアグの他に以下の機能が動作します。

- インプット切り換え
- ミューティング
- レベル調整
- 電源オン/オフ
- マスターボリューム

※ セットメニュー関連は機能しません。

● ダイアグ開始時の初期設定

ダイアグ開始時に以下のような設定になります。ダイアグ解除時にはダイアグ開始前の状態に戻ります。

- マスターボリューム：30dB(-40dB)
- インプット：テレビ/チューナー
- エフェクトレベル：0dB
- オーディオミュート：オフ
- メインメニュー：DSP THR ALL

● Details of Self-Diagnostic Function menu

1. DSP THROUGH

The signal is not changed into beam and output from the channel specified by the sub-menu.

When 2CH signals are input, they are distributed as follows at DSP1 (IC5 DSP P.C.B.).

L CH FRONT L, SURROUND L, CENTER, LFE
R CH FRONT R, SURROUND R

Delay of each channel processed at DSP1 (IC5 DSP P.C.B.) is invalid.

DSP THR ALL

- All outputs (FRONT L/R, CENTER, SURROUND L/R, LFE) are provided.

1.DSP THR ALL

DSP THR FRONT L

- FRONT L output.
- LFE is output through FRONT L only but not in digital full bit.

1.DSP THR FL

DSP THR CENTER

- CENTER output.
- LFE is output through CENTER only but not in digital full bit.

1.DSP THR C

DSP THR FRONT R

- FRONT R output.
- LFE is output through FRONT R only but not in digital full bit.

1.DSP THR FR

DSP THR SURROUND R

- SURROUND R output.
- LFE is output through SURROUND R only but not in digital full bit.

1.DSP THR SR

DSP THR SURROUND L

- SURROUND L output.
- LFE is output through SURROUND L only but not in digital full bit.

1.DSP THR SL

DSP THR LFE (SUBWOOFER OUT)

- LFE output.

1.DSP THR LFE

● ダイアグメニュー詳細

1. DSP THROUGH

ビーム化は行わず、サブメニューの指定CHから出力します。

2CH信号入力時はDSP1 (IC5 DSP P.C.B.)にて以下のように信号を振り分けます。

L CH FRONT L, SURROUND L, CENTER, LFE
R CH FRONT R, SURROUND R

DSP1 (IC5 DSP P.C.B.)にて処理される各CHのDelayは無効です。

DSP THR ALL

- すべて (FRONT L/R, CENTER, SURROUND L/R, LFE) が出力されます。

DSP THR FRONT L

- FRONT Lが出力されます。
- LFEはFRONT Lのみ出力されますが、デジタルフルビットではありません。

DSP THR CENTER

- CENTERが出力されます。
- LFEはCENTERのみ出力されますが、デジタルフルビットではありません。

DSP THR FRONT R

- FRONT Rが出力されます。
- LFEはFRONT Rのみ出力されますが、デジタルフルビットではありません。

DSP THR SURROUND R

- SURROUND Rが出力されます。
- LFEはSURROUND Rのみ出力されますが、デジタルフルビットではありません。

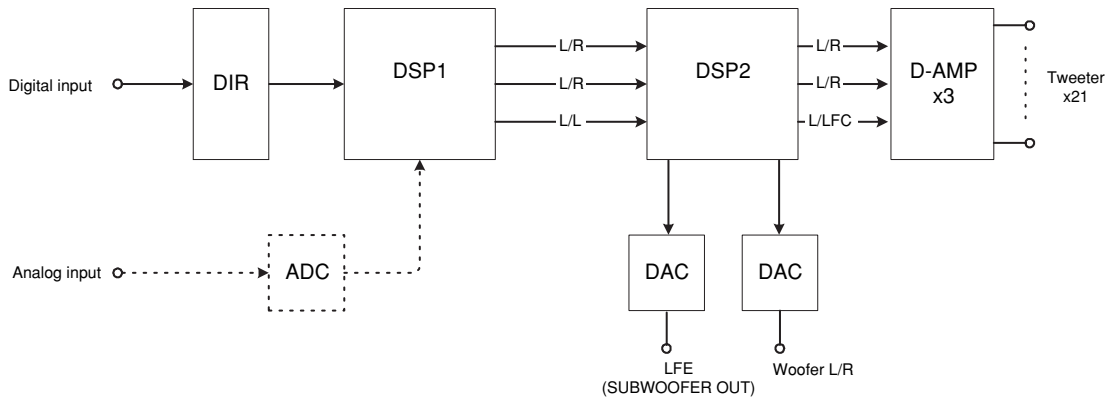
DSP THR SURROUND L

- SURROUND Lが出力されます。
- LFEはSURROUND Lのみ出力されますが、デジタルフルビットではありません。

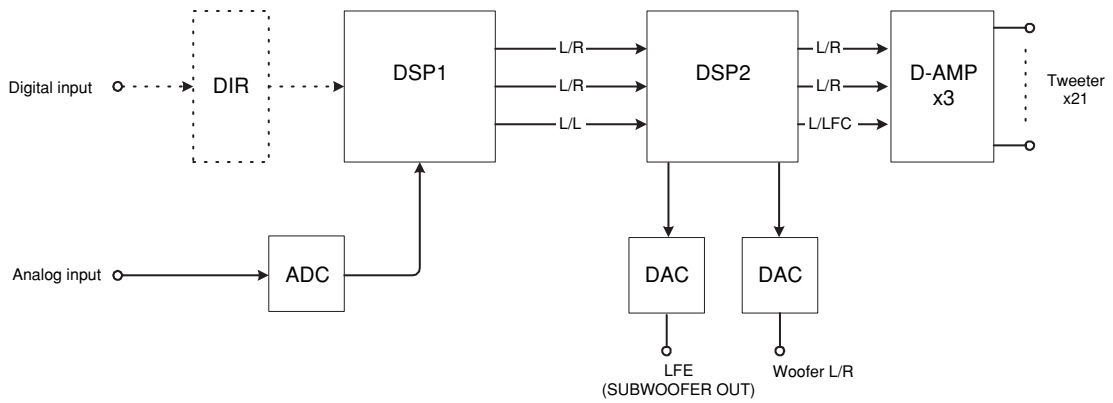
DSP THR LFE (SUBWOOFER OUT)

- LFEが出力されます。

[Digital]



[Analog]



2. RAM THROUGH

The signal is not changed into beam and output from the channel specified by the sub-menu.

When 2CH signals are input, they are distributed as follows at DSP1 (IC5 DSP P.C.B.).

L CH FRONT L, SURROUND L, CENTER, LFE
R CH FRONT R, SURROUND R

Delay of each channel processed at DSP1 (IC5 DSP P.C.B.) is valid.

RAM THR ALL

- All outputs (FRONT L/R, CENTER, SURROUND L/R, LFE) are provided.

2.RAM THR ALL

RAM THR FRONT L

- FRONT L output.
- LFE is output through FRONT L only but not in digital full bit.

2.RAM THR FL

RAM THR CENTER

- CENTER output.
- LFE is output through CENTER only but not in digital full bit.

2.RAM THR C

RAM THR FRONT R

- FRONT R output.
- LFE is output through FRONT R only but not in digital full bit.

2.RAM THR FR

RAM THR SURROUND R

- SURROUND R output.
- LFE is output through SURROUND R only but not in digital full bit.

2.RAM THR SR

RAM THR SURROUND L

- SURROUND L output.
- LFE is output through SURROUND L only but not in digital full bit.

2.RAM THR SL

RAM THR LFE (SUBWOOFER OUT)

- LFE output.

2.RAM THR LFE

2. RAM THROUGH

ビーム化は行わず、サブメニューの指定CHから出力しません。

2CH信号入力時はDSP1 (IC5 DSP P.C.B.)にて以下のように信号を振り分けます。

L CH FRONT L, SURROUND L, CENTER, LFE
R CH FRONT R, SURROUND R

DSP1 (IC5 DSP P.C.B.)にて処理される各CHのDelayは有効です。

RAM THR ALL

- すべて (FRONT L/R, CENTER, SURROUND L/R, LFE) が出力されます。

RAM THR FRONT L

- FRONT Lが出力されます。
- LFEはFRONT Lのみ出力されますが、デジタルフルビットではありません。

RAM THR CENTER

- CENTERが出力されます。
- LFEはCENTERのみ出力されますが、デジタルフルビットではありません。

RAM THR FRONT R

- FRONT Rが出力されます。
- LFEはFRONT Rのみ出力されますが、デジタルフルビットではありません。

RAM THR SURROUND R

- SURROUND Rが出力されます。
- LFEはSURROUND Rのみ出力されますが、デジタルフルビットではありません。

RAM THR SURROUND L

- SURROUND Lが出力されます。
- LFEはSURROUND Lのみ出力されますが、デジタルフルビットではありません。

RAM THR LFE (SUBWOOFER OUT)

- LFEが出力されます。

3. PRO LOGIC / Neo:6

PRO LOGIC I, II, Neo:6 can be selected from the sub-menu items.

PRO LOGIC I (PRO LOGIC EMULATION)

```
3.PRO LOGIC I
```

PRO LOGIC II

```
3.PRO LOGIC II
```

Neo:6

```
3. Neo:6
```

3. PRO LOGIC / Neo:6

サブメニューでPRO LOGIC I、II、Neo : 6を選択可能です。

PRO LOGIC I(PRO LOGIC EMULATION)**PRO LOGIC II****Neo:6****4. MIC CHECK**

The signal inputted through the microphone is output via AD-DA at the output terminal of the subwoofer.

```
4.MIC CHK
```

4. MIC CHECK

マイク入力された信号をAD-DA経由でサブウーファー出力端子へ出力します。

5. VFD CHECK

Use this program to check the FL display section and video control section. When checking the video control section, prepare a monitor and video pin cable and connect them.

Selection of the FL display section or video control section varies according to the submenu operation as shown below.

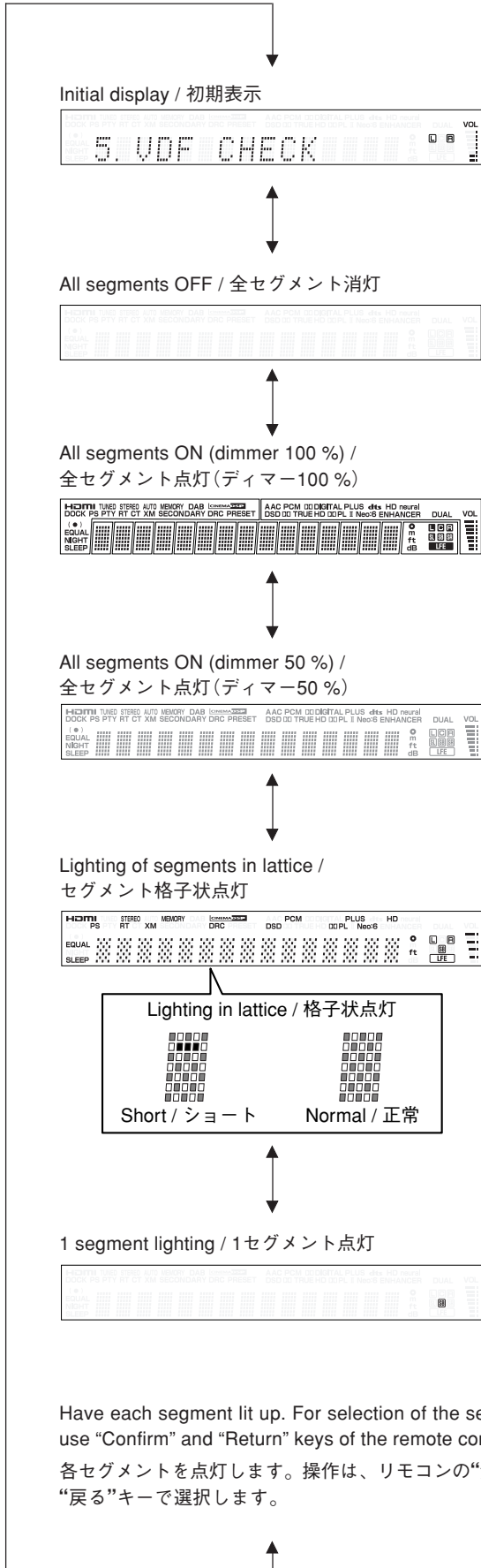
```
5. VFD CHECK
```

5. VFD CHECK

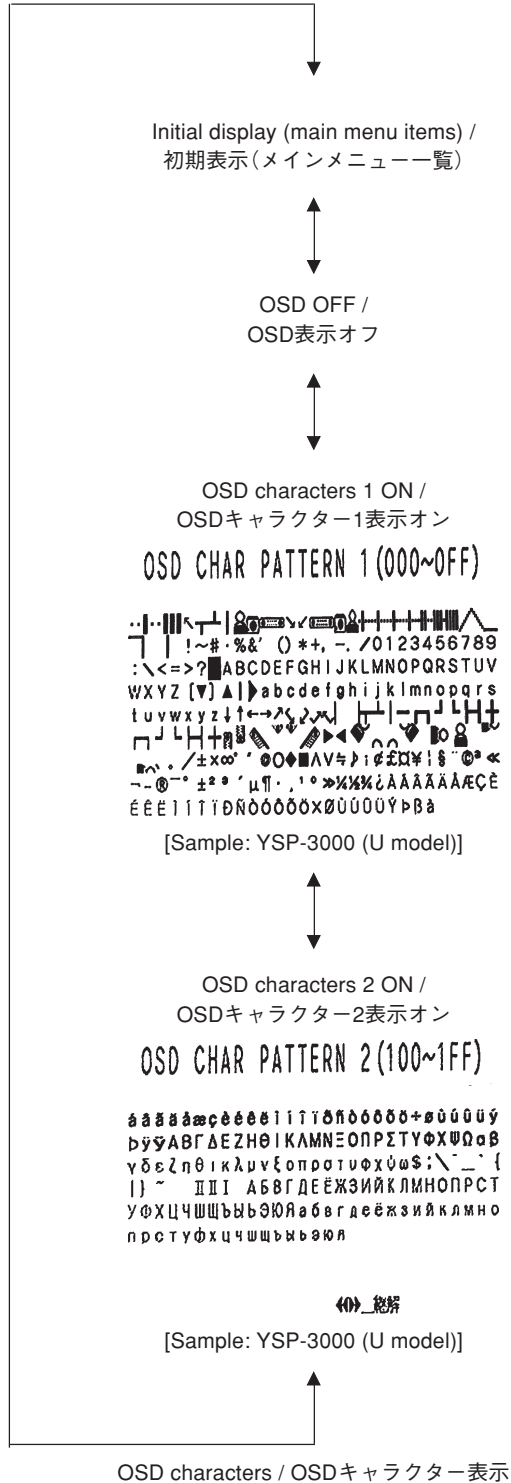
FL表示部および映像表示部のチェックプログラムです。映像制御部をチェックする場合には、モニター、ビデオ用ピンケーブルを準備し接続します。

サブメニュー操作により、FL表示部と映像表示部の選択が連動して変わります。

Checking FL display section /
FL表示部のチェック



Check of the Video control section. (Monitor out) /
映像表示部のチェック(モニター出力)



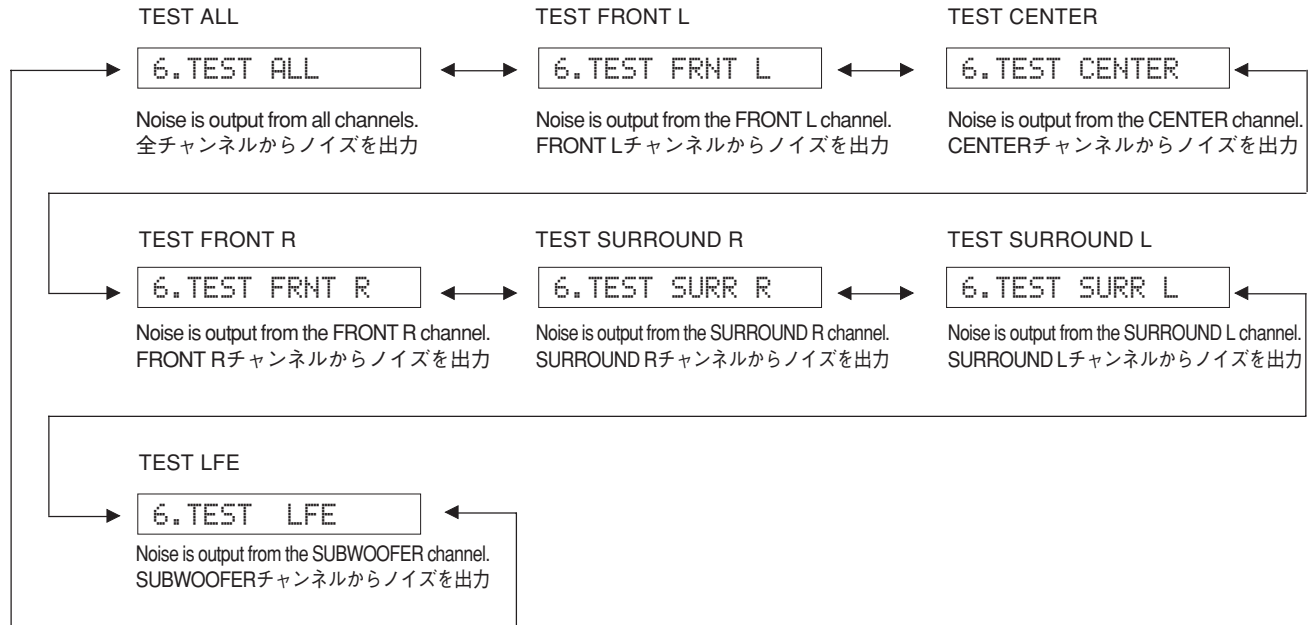
OSD background color display
Have each plain color background displayed. For selection of the background, use "Confirm" and "Return" keys of the remote controller.
OSD背景色表示
各色無地の背景を表示します。操作は、リモコンの“決定”、“戻る”キーで選択します。

6. MANUAL TEST

The noise generator with a built-in DSP outputs the test noise through the channels specified by the sub-menu.
The noise frequency is 30 to 80Hz for LFE but 500 to 2kHz for others.

6. MANUAL TEST

DSP内蔵のノイズ発生回路によって、サブメニューで指定したチャンネルへテストノイズを出力します。
LFE用のノイズ周波数は30~80Hz、それ以外は500~2kHzとなります。



7. RS-232C

Not applied to these models.

7. RS-232C

このモデルには適用されません。

TxD/RxD DATA

7. TxRxData:NG

TxD/RxD Data

HARD FLOW

7. HardFlow:NG

Hard Flow

8. FACTORY PRESET

This menu is used to reserve and inhibit initialization of the back-up RAM.

8. FACTORY PRESET

バックアップ用RAM (音場プログラムのパラメーターやセットメニュー内容等)の初期化を予約禁止します。

8. PRESET INHI



8. PRESET RSRV

PRESET INHIBIT (Initialization inhibited) / PRESET INHIBIT (初期化禁止)

RAM initialization is not executed. Select this sub-menu to protect the values set by the user.

RAMの初期化は行われません。ユーザーの設定値を保護するときは、こちらを選択してください。

PRESET RESERVED (Initialization reserved) / PRESET RESERVED (初期化予約)

Initialization of the back-up RAM is reserved. (Actually, initialization is executed the next time that the power is turned on.) Select this sub-menu to reset to the original factory settings or to reset the RAM. Any protection history will be cleared.

バックアップRAMの初期化が予約されます。(実際に初期化されるのは、次回の電源投入時です。)工場出荷時やRAMをリセットしたいときは、こちらを選択してください。

9. AD DATA CHECK

This menu is used to display the A/D conversion value of the main CPU which detects panel keys of the main unit and protection functions in % using the sub-menu. During signal processing, the condition before execution is maintained.

* The figures in the diagram are given as reference only.

PS (Power supply voltage protection detection)

* When the value of PS, P2 and P3 is not at the normal value level, the protection function works and the power is turned off.

(Reference voltage: 3.3V=100%)

PS (PS1) Voltage detects: -24 V, +5.3X (U, C, B models), +5 V, +5I (U, C, A, B models)

Normal value: 48 to 84 (1.61 to 2.78 V)

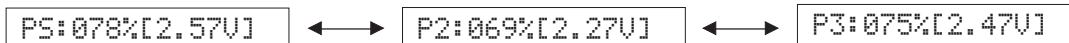
P2 (PS2) Voltage detects: +12 V, T+10 (U, C, K, A, G, E, L, V models), D+12

Normal value: 59 to 82 (1.96 to 2.71 V)

P3 (PS3) Voltage detects: +3.3 V

Normal value: 61 to 91 (2.03 to 3.0 V)

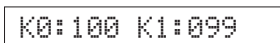
* The normal value has been revised from 3.3V (measured value) to 2.5V (indicated value) by the voltage dividing resistor.



K0/K1 (Panel key of main unit)

A/D of the key fails to function properly when the standard value is deviated by ±2%. In this case, check the constant of partial pressure resistor, solder condition, etc.

(Reference voltage: 3.3V=100%)



[%]	K0	K1
0±2	VOLUME +	VOLUME -
10±2	INPUT	-
100-2	NO KEY	NO KEY

9. AD DATA CHECK

本体パネルキー、プロテクションなどを検出しているメインCPUのA/D変換の値を、サブメニューで%表示します。信号処理は実行前の状態を維持します。

※ 図中の数値は参考例です。

PS (電源電圧プロテクションの検出)

※ PS、P2、P3は正常値を外れるとプロテクションが働き、電源オフされます。

(基準電圧：3.3V=100%)

PS (PS1) 検出電圧： -24 V、+5 V
正常値： 48～84 % (1.61～2.78 V)

P2 (PS2) 検出電圧： +12 V、+10 V、D+12
正常値： 59～82 % (1.96～2.71 V)

P3 (PS3) 検出電圧： +3.3 V
正常値： 61～91 % (2.03～3.0 V)

※ 正常値は分圧抵抗によって3.3V(実測値)から2.5V(表示値)へ変更されています。

K0/K1 (本体パネルキー)

キーのA/Dは基準値から±2%を外れると、正常な動きをしません。下表をご覧になり、各キーの分圧抵抗の定数、ハンダ不良等の確認をしてください。

(基準電圧：3.3V=100%)

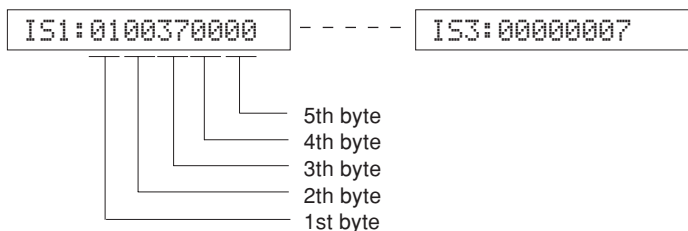
10.IF STATUS (Input function status)

Using the sub-menu, the status data is displayed one after another in the hexadecimal notation.
During signal processing, the status before execution of this menu is maintained.

- * The details of the following status information can not be disclosed because of the development purpose.
- * The figures in the diagram are given as reference only.

IS1-3 (Internal status):

Indicates the status information of the microprocessor.



10.IF STATUS

サブメニュー操作により、以下のステータス情報を順次16進数で表示します。信号処理は、本メニュー実行前の状態を維持します。

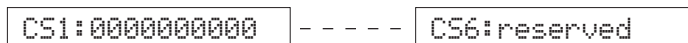
- ※ ステータス情報の詳細説明に関しては、開発用のため記載できません。
- 図中の数値は参考例です。

IS1-3 (内部ステータス):

マイコンのステータス情報を表示します。

CS1-6:

Indicates channel status information of the input signal (IEC60958).

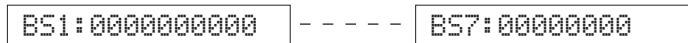


CS1-6:

入力信号のIEC60958チャンネルステータス情報を表示します。

BS1-7:

Indicates information of the bit stream included in the dts and AAC signal.

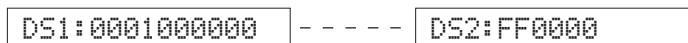


BS1-7:

dts信号およびAAC信号に含まれるビットストリームインフォメーション情報を表示します。

DS1-2:

Register information of the DIR.

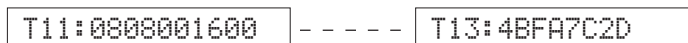


DS1-2:

DIRのレジスタ情報を表示します。

T11-3:

Operation information of the DSP1 (IC5 DSP P.C.B.).

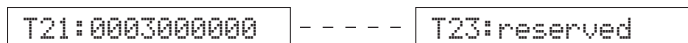


T11-3:

DSP1 (IC5 DSP P.C.B.)の動作情報を表示します。

T21-3:

Operation information of the DSP2 (IC13 DSP P.C.B.).

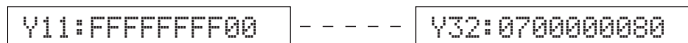


T21-3:

DSP2 (IC13 DSP P.C.B.)の動作情報を表示します。

Y11-2, 21-2, 31-2:

Not applied to these models.



Y11-2, 21-2, 31-2:

このモデルには適用されません。

MTT:

Operation information of mute trigger.



MTT:

ミュートトリガーの情報を表示します。

11.DOCK CHECK (U, C, A, B models)

This menu is used to test the DOCK connector without the iPod itself.

After turning off the power, short between pins No. 14 (TX) and No. 18 (RX), between pins No. 1 (PWR) and No. 17 (ACCPOW) and between pins No. 4 (iPDET) and No. 8 (DGND).

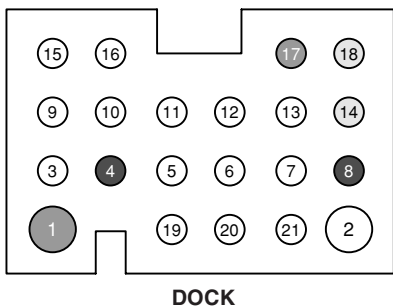
Start the self-diagnostic function and select the menu.

The check result is displayed according to the following display specifications.

Note) Be sure to return the shorted locations to their original state.

11.DOCK CHECK

このモデルには適用されません。



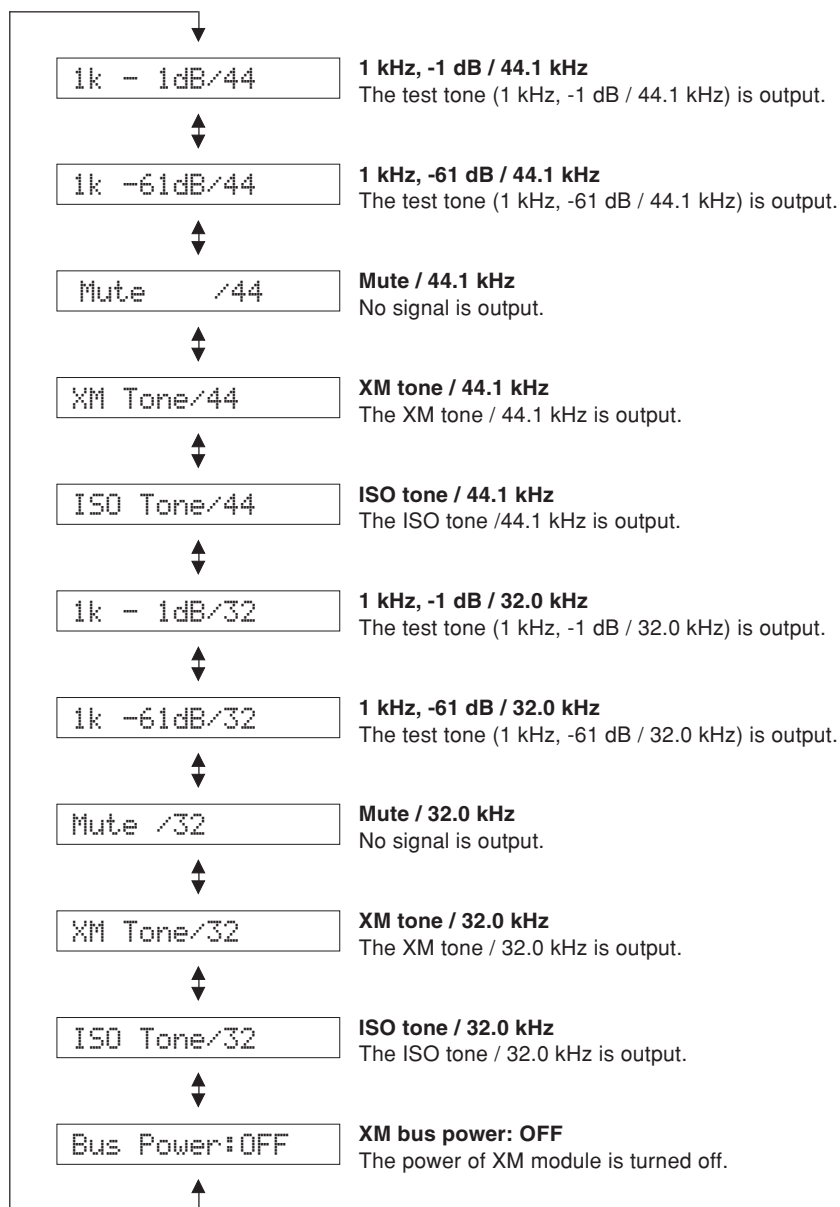
11.DOCK:NG NNN

All Y = "OK"
Others = "NG"

Check item	Result	Display
UART loop back test	OK	Y
	NG	N
iPAP (iPod accessory power) detection	IC16 (INPUT P.C.B.) pin no. 11 state High	Y
	Low	N
iPDET (iPod installation to DOCK) detection	IC16 (INPUT P.C.B.) pin no. 7 state Low	Y
	High	N

12.XM CHECK (U, C models)

The output check of XM radio antenna module is executed.



13.DAB CHECK (B model)

Using the DIAG menu, it is possible to select DAB SCAN, DLS, SIGNAL QUALITY.

DAB SCL

The channel that can be received is searched. When reception is completed the SCL (Service Label) is displayed.

SCL:

DLS (Dynamic Label Segment)

DLS (Dynamic Label Segment) of the channel being received is displayed.

DLS:

SIGNAL QUALITY

The reception level of the channel being received is displayed.

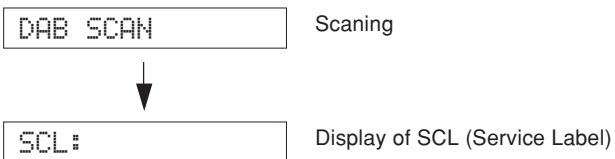
Signal Q.: 100

DAB MODULE VERSION 0-7

V-0
V-0:00 00
V-1
V-1: _____
|
V-7
V-7: _____

DAB SCAN

The channel that can be received is searched.



14.HDMI AUDIO

The sound signal inputted to HDMI IN is output.

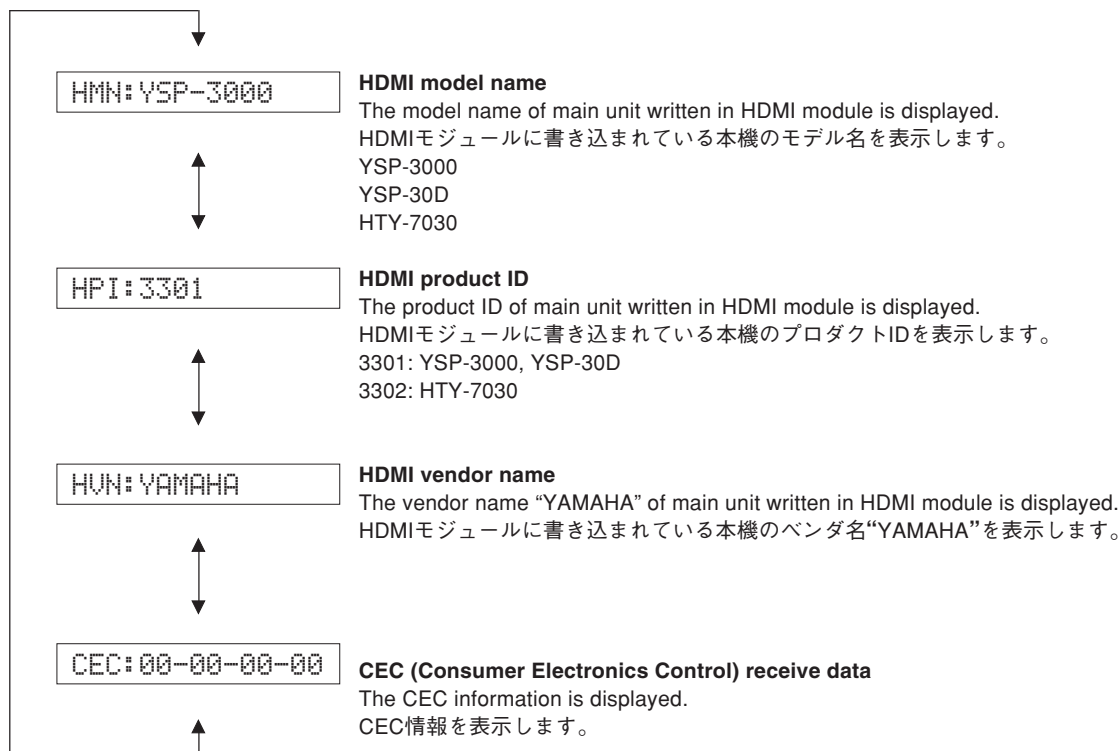
14.HDMI AUDIO

HDMI INに入力された音声信号を出力します。

SPDIF

15.HDMI INFORMATION

15.HDMI INFORMATION



16.HDMI SELECT

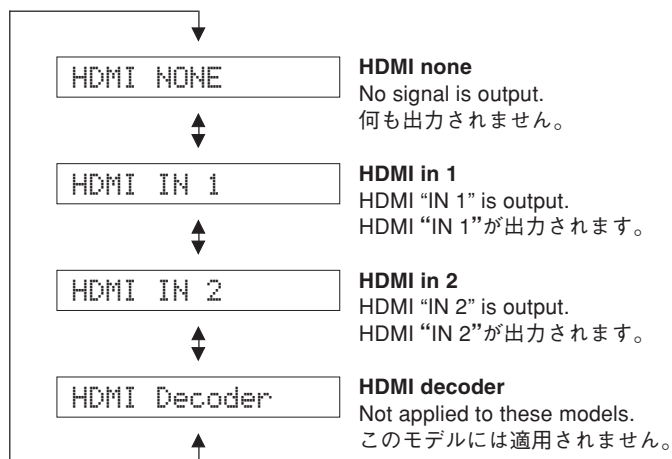
The selected input signal is output to HDMI OUT by the sub-menu operation.

* Support audio is set to "OTHER".

16.HDMI SELECT

サブメニュー操作により、選択された入力信号をHDMI OUTへ出力します。

※ SUPPORT AUDIOは"OTHER"に設定されます。



17.VIDEO CONVERSION

If one of sub menu items 2. DIGITAL COMPONENT to 6. TEST PATTERN is selected, the background color (white) of the OSD display remains as it is and cannot be changed.
Once such item has been selected, turn off the power and activate the self-diagnostic function again.

17.VIDEO CONVERSION

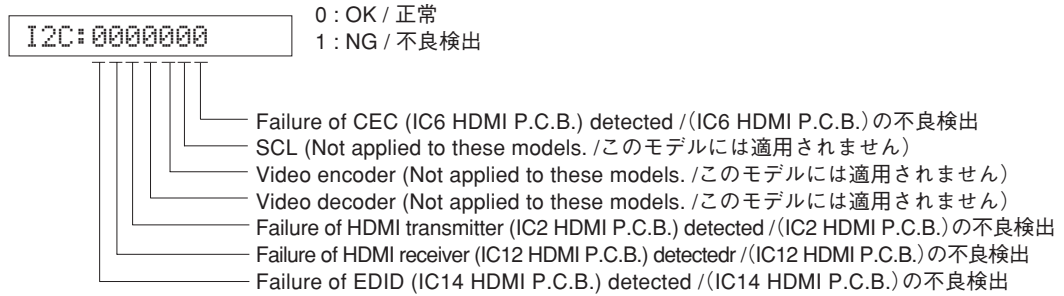
サブメニューの“2. DIGITAL COMPONENT”～“6. TEST PATTERN”を選択した場合、OSD表示が背景色(白)のまま変更できなくなります。
サブメニューの“2. DIGITAL COMPONENT”～“6. TEST PATTERN”を選択した場合、電源オフし再度ダイアグを起動してください。

I2C CHECK

The line check of I2C is executed.

I2C CHECK

I2Cラインのチェックを行います。



DIGITAL COMPONENT

Not applied to these models.

DIGITAL COMPONENT

このモデルには適用されません。

DIGITAL COMP

DIGITAL CVBS

Not applied to these models.

DIGITAL CVBS

このモデルには適用されません。

DIGITAL CVBS

DIGITAL Y/C

Not applied to these models.

DIGITAL Y/C

このモデルには適用されません。

DIGITAL Y/C

ANALOG BYPASS

Not applied to these models.

ANALOG BYPASS

このモデルには適用されません。

ANALOG BYPASS

TEST PATTERN

Not applied to these models.

TEST PATTERN

このモデルには適用されません。

TEST PATTERN

VIDEO INFORMATION

Not applied to these models.

VIDEO INFORMATION

このモデルには適用されません。

VIDEO IN 480i

18.MODEL

The information on the model, destination and video format is displayed.

MODEL SETTING

YSP-3000, YSP-30D or HTY-7030 is displayed.

```
MODEL: YSP-3000
```

DESTINATION

U, C, K, A, B, G, E, L or V is displayed.

```
DEST : UC
```

VIDEO FORMAT

NTSC (U, C, K, V models)
PAL (A, B, G, E, L models)

```
VIDEO: NTSC
```

18.MODEL

モデル、仕向、ビデオフォーマットの情報を表示します。

MODEL SETTING

YSP-3000を表示します。

DESTINATION

Jを表示します。

VIDEO FORTMAT

NTSC

19.VERSION/CHECK SUM

The firmware version and checksum are displayed.
The checksum is obtained by adding the data at every 16 bits for each program area and expressing the result as a 4-figure hexadecimal data.

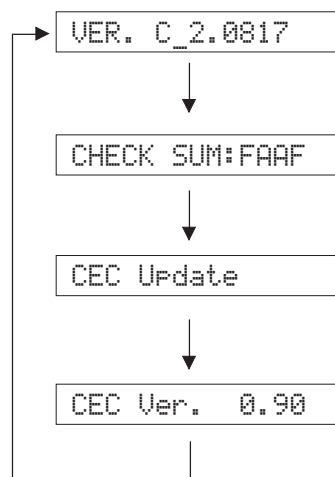
* Numeric values in the figure example are for reference.

19.バージョン/チェックサム情報

ファームウェアのバージョン、チェックサムを表示します。

チェックサムは、プログラムエリア別にデータを16ビットごとに加算していき、4桁の16進データで現したものです。

※ 図中の数値は参考例です。

**Version / バージョン情報**

Firmware version of microprocessor (IC16 INPUT P.C.B.) is displayed.
マイコン (IC16 INPUT P.C.B.) のファームウェアバージョンを表示します。

Checksum / チェックサム表示

Checksum value of main microprocessor (IC16 INPUT P.C.B.) is displayed.
メインマイコン (IC16 INPUT P.C.B.) のチェックサムバージョンを表示します。

CEC update / CEC update

Not applied to these models.
このモデルには適用されません。

CEC microprocessor version / CEC マイコン バージョン表示

Firmware version of CEC microprocessor (IC16 HDMI P.C.B.) is displayed.
CECマイコン (IC16 HDMI P.C.B.) のファームウェアバージョンを表示します。

20.DATE

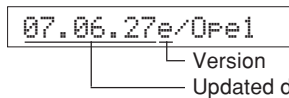
The updated date of the program, clearance of the protection history and the remote control reception code are displayed.

When Remo Code menu is selected, keys become non-operable due to detection of the values of all keys. However, it is possible to advance to the next sub-menu by pushing the "INPUT" key of the main unit.

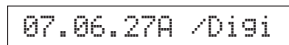
* Numeric values in the figure example are for reference.

MAIN / SUB, 2, 3, 4

The updated date of the microprocessor firmware is displayed.



The updated dates of the operation, tuner and CEC sections are displayed. / オペレーション、チューナー、CEC部の更新日付を表示します



The updated date of the digital section is displayed. / デジタル部の更新日付を表示します



The updated dates of the set menu and automatic adjustment sections are displayed. / 表示セットメニュー、自動調整部の更新日付を表示します



The updated dates of the HDMI, XM and DOCK (iPod) display sections are displayed. / HDMI、XM、DOCK (iPod)表示部の更新日付を表示します



The updated date of the DAB/VIDEO conversion section is displayed. / DAB/ビデオコンバージョン部の更新日付を表示します

PROTECT HISTORY DELETE

Reserve/Cancel can be selected by using the "ENTER" and "RETURN" keys of the remote control.

プロテクション履歴削除の予約/解除

リモコンの"決定"、"戻る"により予約/解除が選択できません。



CEC CABLE OUTPUT

Not applied to these models.

CECコード出力

このモデルには適用されません。

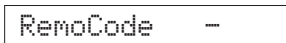


REMOTE CONTROL CODE DISPLAY

The reception code of the remote control can be checked.

リモコン受信コード表示

リモコン受信コードが確認できます。



20.DATE

プログラムの更新日付、プロテクション履歴のクリア、リモコン受信コードを表示します。

Remo Codeのメニューにすると、リモコンの全キーの値を検出するためキー操作はできなくなりますが、本体の"INPUT"キーを押すことにより、次のサブメニューに進めることができます。

※ 図中の数値は参考例です。

MAIN / SUB、2、3、4

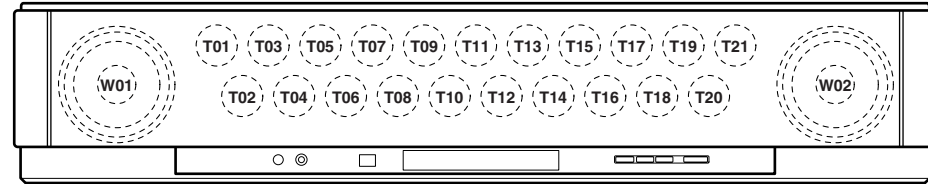
マイコンのファームウェアの更新日付を表示します。

21. DSP CHECK

Tx Test Ch

Have the sound produced from each driver to check its condition and installation position.
Use the "ENTER" and "RETURN" keys of the remote control for selection.

TxTestCh [---]



- T01-T21 Tweeter
- W01-W02 Woofer
- ALL Sound is output from all drivers
- --- OFF

Tx Test

Select the sound to be produced in ONE SP TEST.
Use the "ENTER" and "RETURN" keys of the remote control for switching.

- NOISE The noise is output.
- SOURCE The external input is output.

TxTest: NOISE

T1 CHECK

Execute self-diagnosis of DSP1 (IC5 DSP P.C.B.)
Use the "ENTER" key of the remote control for execution.

T1:Not Checked

T2 CHECK

Execute self-diagnosis of DSP2 (IC13 DSP P.C.B.)
Use the "ENTER" key of the remote control for execution.

T2:Not Checked

Display / 表示	Description / 判断
Not Checked	Self-diagnosis not executed / 自己診断未実施
Wait	Self-diagnosis being executed / 自己診断実行中
No Error	No error detected / エラー検出なし
Err-DSP	Error of DSP operation detected / DSPの動作についてエラーを検出
Err-SRAM	Error of I/F with SRAM detected / SRAMとのI/Fについてエラーを検出
Err-FLASH	Error of I/F with FLASH ROM detected / FLASH ROMとのI/Fについてエラーを検出
Err-Unknown	Error other than above detected / 上記以外のエラーを検出
reserved	Function not applicable / 機能は非対応

21. DSP CHECK

Tx Test Ch

各スピーカーユニットを鳴らし、不良・取付位置の確認をします。
リモコンの“決定”、“戻る”キーを使って選択します。

- T01-T21 ツイーター
- W01-W02 ウーファー
- ALL すべてのスピーカーユニットから出力されます
- --- OFF

Tx Test

ONE SP TESTで鳴らす音を選択します。
リモコンの“決定”、“戻る”キーにて切り替えます。

- NOISE ノイズを出力します。
- SOURCE 外部入力を出力します。

T1 CHECK

DSP1 (IC5 DSP P.C.B.)を自己診断します。
リモコンの“決定”キーを使って実行します。

T2 CHECK

DSP2 (IC13 DSP P.C.B.)を自己診断します。
リモコンの“決定”キーを使って実行します。

RS232C

Select the protocol of RS-232C connection.

RS232C

RS-232C接続のプロトコルを選択します。

RS232C: YAMAHA

RS232C: 1Ltd.

It select it at the time of writing (IC18 DSP P.C.B.) / (IC18 DSP P.C.B.)書き込み時選択します。

Cert Mode

Select the special mode for testing.

Cert Mode

試験用の特殊モードを選択します。

Cert.Mode[OFF]

* Be sure to set to "OFF"
※ 必ず"OFF"にしてください

T1V

The version of T1V (DSP1) is displayed.

T1V

T1V (DSP1)のバージョンを表示します。

T1V:0203r

T1D

Not applied to these models.

T1D

このモデルには適用されません。

T1D:-----

APP

The version of DSP Application Code is displayed.

APP

DSP Application Code のバージョンを表示します。

APP:YSP2-0.33D

CSC

The version of Core Start-Up Code is displayed.

CSC

Core Start-Up Codeのバージョンを表示します。

CSC:CSC1.06Y R

SPD

The version of SPID is displayed.
* SPID is the abbreviation for the Sound Projector Module Initialization Data Format.

SPD

SPIDのバージョンを表示します。
※ SPIDはSound Projector Module Initialization Data Formatを略したものです。

SPD:Y3KMP0605A

VR1

Not applied to these models.

VR1

このモデルには適用されません。

VR1:reserved

T1 Write

Select OFF/ON of firmware writing.
* Keep OFF selected other than when writing the firmware.

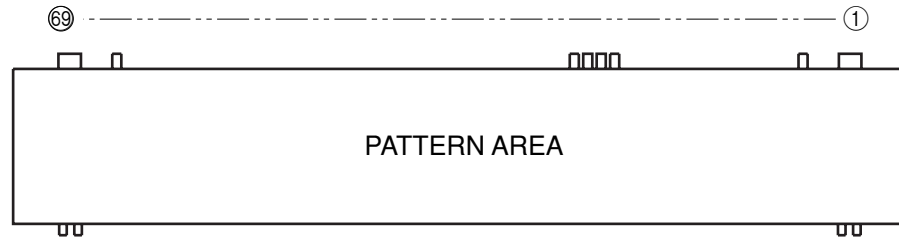
T1 Write

ファームウェアの書き込みのOFF/ONを選択します。
※ ファームウェアの書き込み時以外はOFFにします。

T1 Write [OFF]

■ DISPLAY DATA

● V901 : 17-BT-28GNKF (POWER P.C.B.)



● PIN CONNECTION

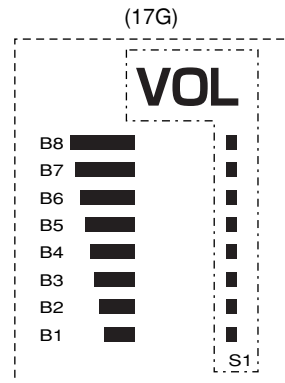
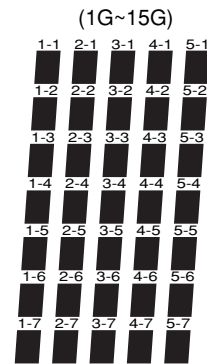
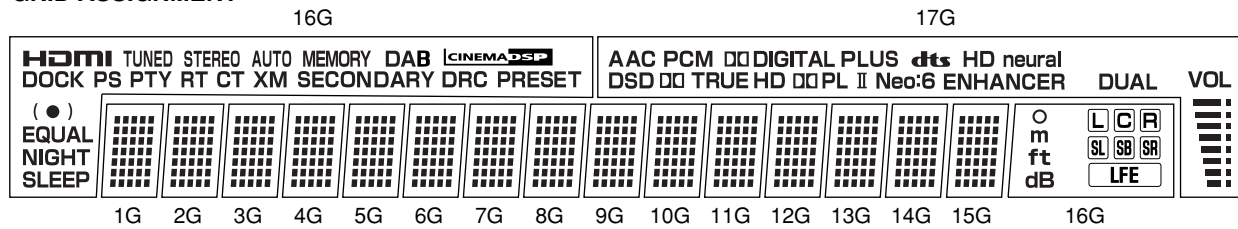
Pin No.	69	68	67	66	65	64	63	62	61
Connection	F2	NX	NP	NP	NX	NX	NX	NX	NX

Pin No.	60	59	58	57	56	55	54	53	52	51	50	49	48	47	46	45	44	43	42	41	40	39	38	37	36	35	34	33	32	31
Connection	NX	NX	NX	NX	P1	P2	P3	P4	P5	P6	P7	P8	P9	P10	P11	P12	P13	P14	P15	P16	P17	P18	P19	P20	P21	P22	P23	P24	P25	P26

Pin No.	30	29	28	27	26	25	24	23	22	21	20	19	18	17	16	15	14	13	12	11	10	9	8	7	6	5	4	3	2	1
Connection	P27	P28	P29	P30	P31	P32	P33	P34	P35	17G	16G	15G	14G	13G	12G	11G	10G	9G	8G	7G	6G	5G	4G	3G	2G	1G	NP	NP	NX	F1

Note : 1) F1, F2 Filament 2) NP No pin 3) NX No extened Pin 4) 1G ~ 17G Grid

● GRID ASSIGNMENT

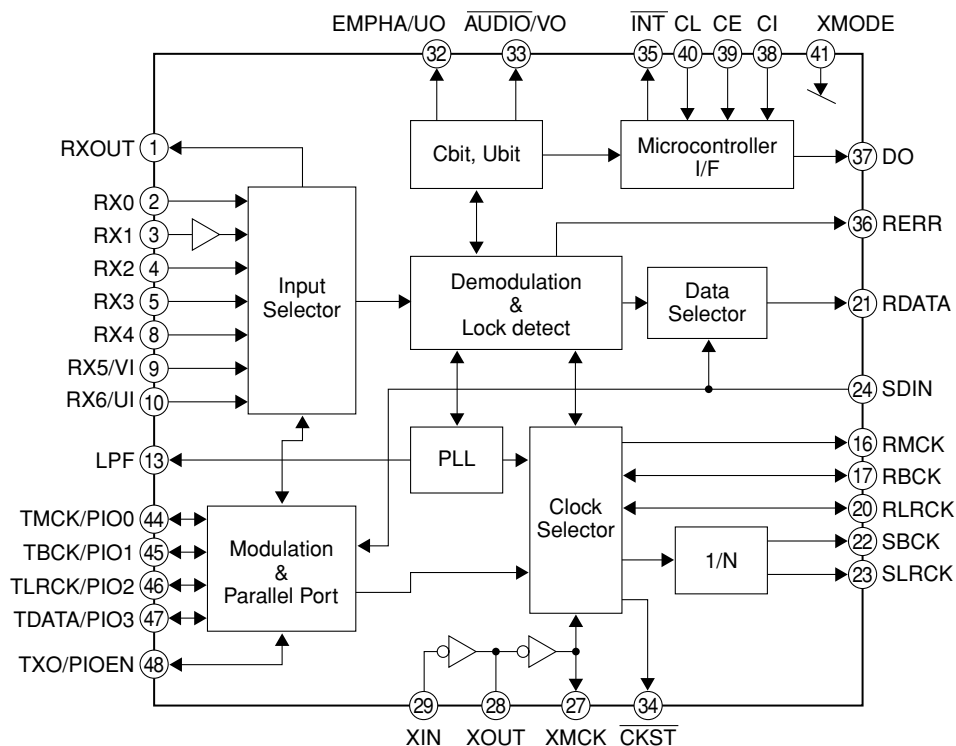


● ANODE CONNECTION

	1G-15G		17G
P1	1-1	HDMI	AAC
P2	2-1	TUNED	PCM
P3	3-1	STEREO	DIGITAL
P4	4-1	AUTO	PLUS
P5	5-1	MEMORY	dts
P6	1-2	DAB	HD
P7	2-2	CINEMA DSP	neural
P8	3-2	(●)	-
P9	4-2	EQUAL	-
P10	5-2	NIGHT	DSD
P11	1-3	SLEEP	TRUE HD
P12	2-3	DOCK	PL
P13	3-3	PS	II
P14	4-3	PTY	Neo:6
P15	5-3	RT	ENHANCER
P16	1-4	CT	-
P17	2-4	XM	-
P18	3-4	SECONDARY	-
P19	4-4	DRC	-
P20	5-4	PRESET	-
P21	1-5	○	-
P22	2-5	m	-
P23	3-5	ft	-
P24	4-5	dB	-
P25	5-5		DUAL
P26	1-6		-
P27	2-6	L	S1
P28	3-6	C	B8
P29	4-6	R	B7
P30	5-6	SL	B6
P31	1-7	SB	B5
P32	2-7	SR	B4
P33	3-7	LFE	B3
P34	4-7		B2
P35	5-7		B1

IC DATA

IC3: LC89057W-VF4AD-E (DSP P.C.B.)
Digital audio interface transceiver

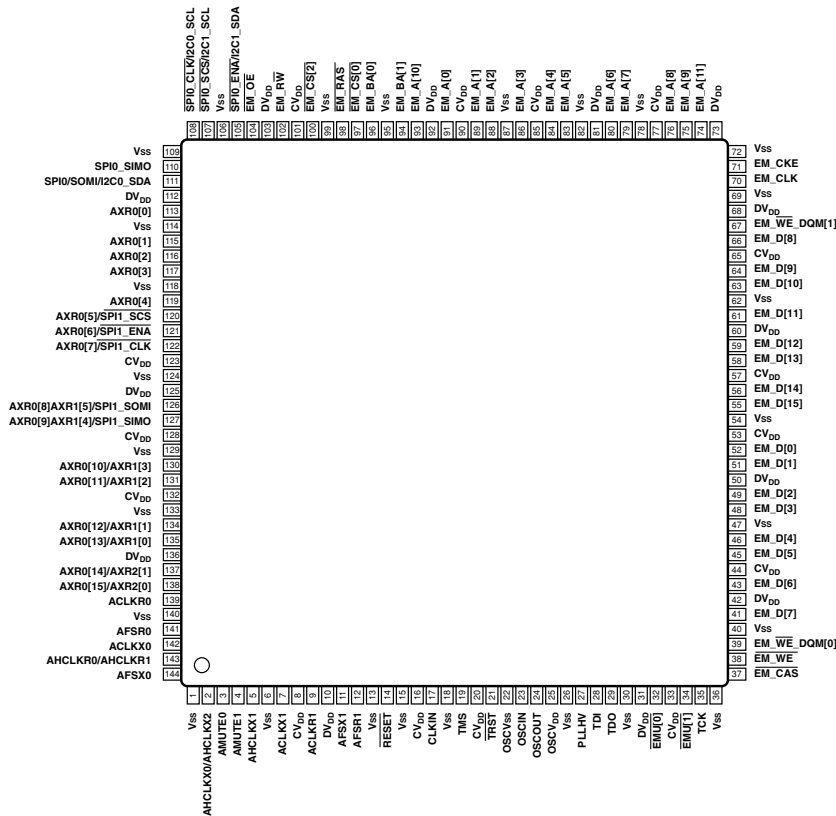
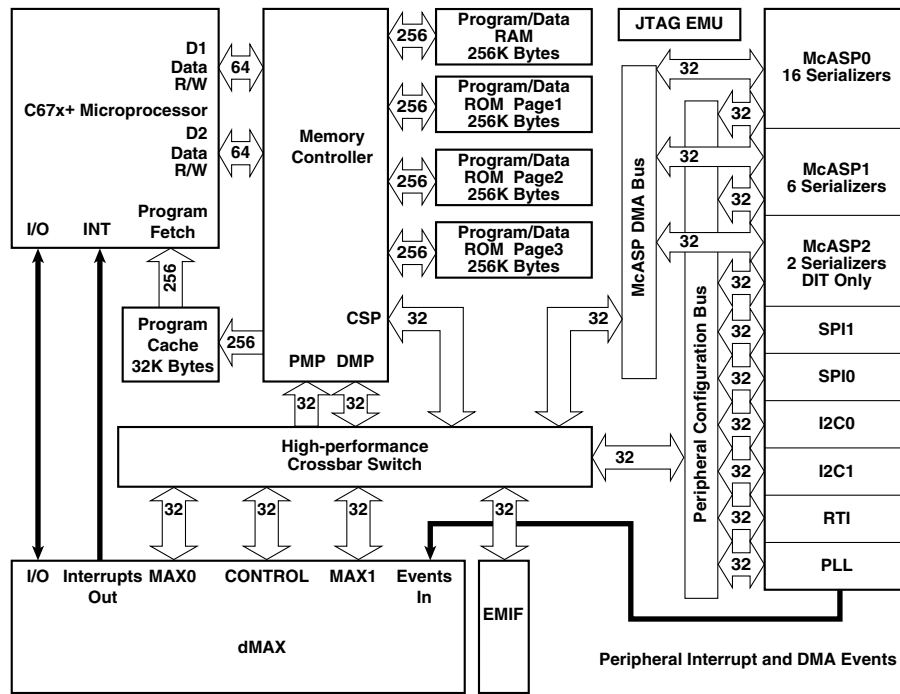


Pin No.	Function Name	I/O	Detail of Function
1	RXOUT	O	Output pin of input bi-phase selection data
2	RX0	Is	Input pin of TTL-compatible digital data
3	RX1	I	Digital data input pin with built-in amplifier that supports coaxial
4	RX2	Is	Input pin of TTL-compatible digital data
5	RX3	Is	Input pin of TTL-compatible digital data
6	DGND		Digital GND
7	DVDD		Digital power supply (3.3 V)
8	RX4	Is	Input pin of TTL-compatible digital data
9	RX5	Is	TTL-compatible digital data / Validity flag input pin for modulation
10	RX6	Is	TTL-compatible digital data / User data input pin for modulation
11	DVDD		Digital power supply for PLL
12	DGND		Digital GND for PLL
13	LPF	O	PLL loop filter connection pin
14	AVDD		Analog power supply for PLL (3.3 V)
15	AGND		Analog GND for PLL
16	RMCK	O	R system clock output pin (256 fs, 512 fs, XIN, VCO)
17	RBCK	O/I	R bit clock input/output pin (64 fs)
18	DGND		Digital GND
19	DVDD		Digital power supply (3.3 V)
20	RLRCK	O/I	R LR clock input/output pin (fs)
21	RDATA	O	Output pin of serial audio data
22	SBCK	O	S bit clock output pin (32 fs, 64 fs, 128 fs) (No connected.)
23	SLRCK	O	S LR clock output pin (fs/2, fs, 2 fs) (No connected.)
24	SDIN	Is	Input pin of serial audio data
25	DGND		Digital GND
26	DVDD		Digital power supply (3.3 V)
27	XMCK	O	Oscillation amplifier output pin
28	XOUT	O	Quartz resonator connection output pin
29	XIN	I	Quartz resonator connection, input pin of external supply clock (24.576 MHz or 12.288 MHz)
30	DVDD		Digital power supply (3.3 V)
31	DGND		Digital GND
32	EMPHA/UO/CD	I/O	Emphasis information / U data output / C data output / Chip address setting pin
33	AUDIO/VO	I/O	Non-PCM detection / V flag output / Chip address setting pin
34	CKST/PT	I/O	Output of clock switch transitional period signal / Preamble B output / Demodulation master or slave function switch pin
35	INT	I/O	Interrupt output for microprocessor (Possible to select an interrupt factor.) / Modulation or general-purpose I/O switch pin
36	RERR	O	PLL clock error, data error flag output (No connected.)
37	DO	O	Microprocessor I/F, read data output pin (3-state)
38	DI	Is	Microprocessor I/F, write data input pin
39	CE	Is	Microprocessor I/F, chip enable input pin
40	CL	Is	Microprocessor I/F, clock input pin"
41	XMODE	Is	System reset input pin
42	DGND		Digital GND
43	DVDD		Digital power supply (3.3 V)
44	PIO0	I/O	512 fs, 256 fs, 128 fs system clock input for modulation or external / General-purpose I/O input/output pin
45	PIO1	I/O	64 fs bit clock input for modulation / General-purpose I/O input/output pin
46	PIO2	I/O	fs clock input for modulation / General-purpose I/O input/output pin
47	PIO3	I/O	Serial audio data input for modulation / General-purpose I/O input/output pin
48	PIOEN	I/O	Modulation data output / General-purpose I/O enable output pin

- 1) Withstand voltage input/output: I or O = -0.3 to 3.6 V, Is = -0.3 to 5.5 V
- 2) Pins 32 and 33 are input pins for chip address setting, when pin 41 = "L".
- 3) Pin 34 is a demodulation function master or an input pin for slave setting, when pin 41 = "L".
- 4) Pin 35 is a modulation function or an input pin for general-purpose I/O function switch setting, when pin 41 = "L".
- 5) ON/OFF for all power supplies must be done at the same timing as a latch-up countermeasure.

IC5: D70YE101BRFP266 (DSP P.C.B.)
Decoder/Post processor

* No replacement part available. / サービス部品供給なし



Pin No.	Function Name	I/O			Detail of Function
		TYPE ⁽¹⁾	PULL ⁽²⁾	GPIO ⁽³⁾	
External memory interface (EMIF) address and control					
37	EM_CAS	O	-	N	SDRAM column address strobe
38	EM_WE	O	-	N	SDRAM write enable
39	EM_WE_DQM[0]	O	-	N	Write enable or byte enable for EM_D[7:0]
67	EM_WE_DQM[1]	O	-	N	Write enable or byte enable for EM_D[15:8]
70	EM_CLK	O	-	N	SDRAM clock
71	EM_CKE	O	-	N	SDRAM clock enable
74	EM_A[11]	O	-	N	EMIF address bus
75	EM_A[9]	O	-	N	
76	EM_A[8]	O	-	N	
79	EM_A[7]	O	-	N	
80	EM_A[6]	O	-	N	
83	EM_A[5]	O	-	N	
84	EM_A[4]	O	-	N	
86	EM_A[3]	O	-	N	
88	EM_A[2]	O	-	N	
89	EM_A[1]	O	-	N	
91	EM_A[0]	O	-	N	
93	EM_A[10]	O	-	N	
94	EM_BA[1]	O	-	N	
96	EM_BA[0]	O	-	N	
97	EM_CS[0]	O	-	N	SDRAM chip select
98	EM_RAS	O	-	N	SDRAM row address strobe
100	EM_CS[2]	O	-	N	Asynchronous memory chip select
102	EM_RW	O	-	N	Asynchronous memory read/not write (No connected.)
104	EM_OE	O	-	N	SDRAM output enable
External memory interface (EMIF) data bus					
41	EM_D[7]	I/O	-	N	EMIF data bus [Lower 16-bit]
43	EM_D[6]	I/O	-	N	
45	EM_D[5]	I/O	-	N	
46	EM_D[4]	I/O	-	N	
48	EM_D[3]	I/O	-	N	
49	EM_D[2]	I/O	-	N	
51	EM_D[1]	I/O	-	N	
52	EM_D[0]	I/O	-	N	
55	EM_D[15]	I/O	-	N	
56	EM_D[14]	I/O	-	N	
58	EM_D[13]	I/O	-	N	
59	EM_D[12]	I/O	-	N	
61	EM_D[11]	I/O	-	N	
63	EM_D[10]	I/O	-	N	
64	EM_D[9]	I/O	-	N	
66	EM_D[8]	I/O	-	N	
McASP0, McASP1, McASP2 and SPI1 serial ports					
2	AHCLKX0/AHCLKX2	I/O	-	Y	McASP0 and McASP2 transmit master clock
3	AMUTE0	O	-	Y	McASP0 mute output
4	AMUTE1	O	-	Y	McASP1 mute output
5	AHCLKX1	I/O	-	Y	McASP1 transmit master clock
7	ACLKX1	I/O	-	Y	McASP1 transmit bit clock
9	ACLKR1	I/O	-	Y	McASP1 receive bit clock
11	AFSX1	I/O	-	Y	McASP1 transmit frame sync (L/R clock)
12	AFSR1	I/O	-	Y	McASP1 receive frame sync (L/R clock)
113	AXR0[0]	I/O	-	Y	McASP0 serial data 0
115	AXR0[1]	I/O	-	Y	McASP0 serial data 1
116	AXR0[2]	I/O	-	Y	McASP0 serial data 2

YSP-3000/YSP-30D/HTY-7030

Pin No.	Function Name	I/O			Detail of Function	
		TYPE ⁽¹⁾	PULL ⁽²⁾	GPIO ⁽³⁾		
117	AXR0[3]	I/O	–	Y	McASP0 serial data 3	
119	AXR0[4]	I/O	–	Y	McASP0 serial data 4	
120	AXR0[5]/SPI1_SCS	I/O	–	Y	McASP0 serial data 5 or SPI1 slave chip select	
121	AXR0[6]/SPI1_ENA	I/O	–	Y	McASP0 serial data 6 or SPI1 enable (Ready)	
122	AXR0[7]/SPI1_CLK	I/O	–	Y	McASP0 serial data 7 or SPI1 serial clock	
126	AXR0[8]/AXR1[5]/SPI1_SOMI	I/O	–	Y	McASP0 serial data 8 or McASP1 serial data 5 or SPI1 data pin slave out master in	
127	AXR0[9]/AXR1[4]/SPI1_SIMO	I/O	–	Y	McASP0 serial data 9 or McASP1 serial data 4 or SPI1 data pin slave in master out	
130	AXR0[10]/AXR1[3]	I/O	–	Y	McASP0 serial data 10 or McASP1 serial data 3	
131	AXR0[11]/AXR1[2]	I/O	–	Y	McASP0 serial data 11 or McASP1 serial data 2	
134	AXR0[12]/AXR1[1]	I/O	–	Y	McASP0 serial data 12 or McASP1 serial data 1	
135	AXR0[13]/AXR1[0]	I/O	–	Y	McASP0 serial data 13 or McASP1 serial data 0	
137	AXR0[14]/AXR2[1]	I/O	–	Y	McASP0 serial data 14 or McASP2 serial data 1	
138	AXR0[15]/AXR2[0]	I/O	–	Y	McASP0 serial data 15 or McASP2 serial data 0	
139	ACLKR0	I/O	–	Y	McASP0 receive bit clock	
141	AFSR0	I/O	–	Y	McASP0 receive frame sync (L/R clock)	
142	ACLKX0	I/O	–	Y	McASP0 transmit bit clock	
143	AHCLKR0/AHCLKR1	I/O	–	Y	McASP0 and McASP1 receive master clock	
144	AFSX0	I/O	–	Y	McASP0 transmit frame sync (L/R clock)	
SPI0, I2C0 and I2C1 serial port pins						
105	SPIO_ENA/I2C1-SDA	I/O	–	Y	SPIO enable (Ready) or I2C1 serial data	
107	SPIO_CSC/I2C1-SCL	I/O	–	Y	SPIO slave chip select or I2C1 serial clock	
108	SPIO_CLK/I2C0-SCL	I/O	–	Y	SPIO serial clock or I2C0 serial clock	
110	SPIO_SIMO	I/O	–	Y	SPIO data pin slave in master out	
111	SPIO/SOMI/I2C0-SDA	I/O	–	Y	SPIO data pin slave out master in or I2C0 serial data	
Clocks						
17	CLKIN	I	–	N	Alternate clock input (3.3 V LVCMOS input)	
22	OSCVSS	PWR	–	N	oscillator Vss tap point (for filter only)	
23	OSCIN	I	–	N	1.2 V oscillator input	
24	OSCOUT	O	–	N	1.2 V oscillator output (No connected.)	
25	OSCVDD	PWR	–	N	oscillator 1.2 V VDD tap point (for filter only)	
27	PLLHV	PWR	–	N	PLL 3.3 V supply input (requires external filter)	
Device reset						
14	RESET	I	–	N	Device reset pin	
Emulation/JTAG port						
19	TMS	I	IPU	N	Test mode select	
21	TRST	I	IPD	N	Test reset	
28	TDI	I	IPU	N	Test data in	
29	TDO	OZ	IPU	N	Test data out	
32	EMU[0]	I/O	IPU	N	Emulation pin 0	
34	EMU[1]	I/O	IPU	N	Emulation pin 1	
35	TCK	I	IPU	N	Test clock	
Power pins						
8	CVDD				Core supply	
16						
20						
33						
44						
53						
57						
65						
77						
85						
90						
101						
123						

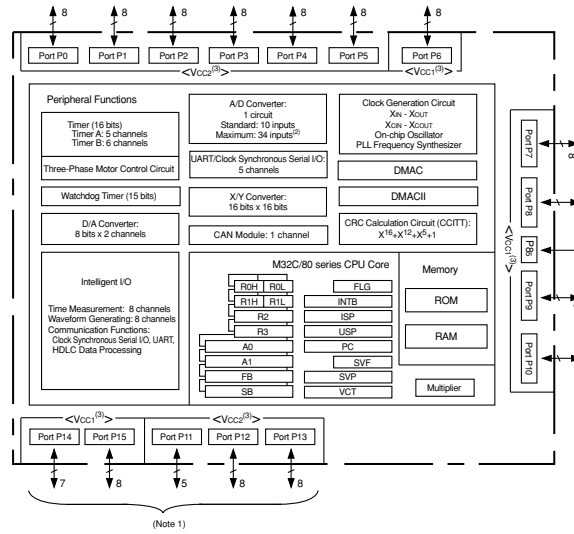
Pin No.	Function Name	I/O			Detail of Function
		TYPE ⁽¹⁾	PULL ⁽²⁾	GPIO ⁽³⁾	
128	CVDD				Core supply
132					
10	DVDD				I/O supply
31					
42					
50					
60					
68					
73					
81					
92					
103					
112					
125					
136					
1		VSS			
6					
13					
15					
18					
26					
30					
36					
40					
47					
54					
62					
69					
72					
78					
82					
87					
95					
99					
106					
109					
114					
118					
124					
129					
133					
140					

1) TYPE column refers to pin direction in functional mode. If a pin has more than one function with different directions, the functions are separated with a slash (/).

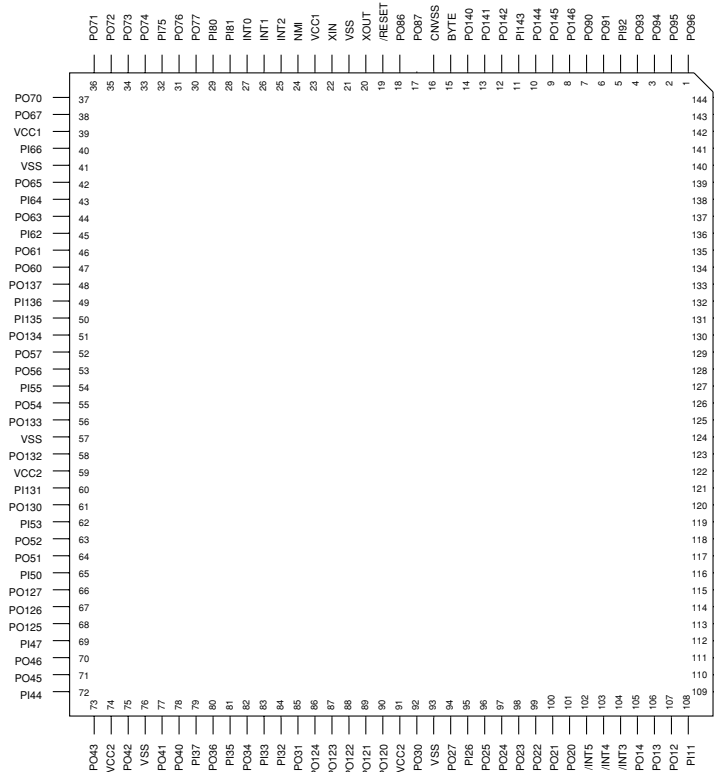
2) PULL column:
 IPD = Internal Pull-down resistor
 IPU = Internal Pull-up resistor

3) If the GPIO column is 'Y', then in GPIO mode, the pin is configurable as an I/O unless otherwise marked.

IC16: M3087BFKBGP (INPUT P.C.B.)
Microprocessor



- NOTES:
 1. Ports P11 to P15 are provided in the 144-pin package only.
 2. Included in the 144-pin package only.
 3. The supply voltage of M32C941 (High-reliability version) must be Vcc1=Vcc2.



YSP-3000/YSP-30D/
HTY-7030

No.	Port Name	Function Name (P.C.B.)	Port I/O	Detail of Function
1	SDA_400L	PO96	Input/Output	Data input/output of HDMI serial port (400kHz)
2	Reserved	PO95	Output	Terminated
3	Reserved	PO94	Output	Terminated (LED)
4	VSDDET	PO93	Input	Frequency detection of video signal
5	iPOD_TX	PI92	Output	Data output of iPod serial port
6	iPOD_RX	PO91	Input	Data input of iPod serial port
7	iPOD_DET	PO90	Input	Detection signal input of iPod connection
8	HDIMT	PO146	Input	HDMI mute signal input
9	Reserved	PO145	Input	Pull down (/INT_AD)
10	/INT_CEC	PO144	Input	Interrupt signal input from HDMI CEC
11	iPOD_PWDET	PI143	Input	Detection signal input of +3.3V supplied from iPod
12	Reserved	PO142	Output	Open (iPOD_POWER)
13	Reserved	PO141	Output	Terminated
14	CEC_D	PO140	Output	10ms signal output for HDMI CEC
15		BYTE	Input	GND
16	CNVSS	CNVSS	Input	Pull down (Normal mode) Pull up (Internal flash Rom writing mode)
17	/RES_TX	PO87	Output	Reset signal for HDMI Tx LSI
18	/RES_RX	PO86	Output	Reset signal for HDMI Rx LSI
19	/RES	/RESET	Input	System reset input
20	XO	XOUT	Output	20MHz frequency clock output
21	VSS	VSS		GND
22	XI	XIN	Input	20MHz frequency clock input
23	VCC	VCC1		+3.3V
24	NMI	NMI	Input	Pull up
25	/INTTIA	INT2	Input	Interrupt input from front-end DSP
26	/INTDIR	INT1	Input	Interrupt input from DIR
27	M_RXDO	INT0	Input	Interrupt input from RS-232C
28	Reserved	PI81	Input	Pull down (VSYNC)
29	I2C_RDY	PI80	Input	READY signal from back-end DSP
30	I2C_MUTE	PO77	Output	MUTE signal to back-end DSP
31	FL40KHz	PO76	Output	40KHz signal for FL filament
32	I2C_SCL	PI75	Output	I2C CLOCK signal to back-end DSP
33	/CSDIR	PO74	Output	Chip select signal to DIR
34	/ICDIR	PO73	Output	RESET signal to DIR
35	I2C_SDA	PO72	Input/Output	I2C DATA signal to back-end DSP
36	SCL_100L	PO71	Input/Output	Clock input/output of HDMI serial port (100kHz)
37	SDA_100L	PO70	Input/Output	Data input/output of HDMI serial port (100kHz)
38	M_TXDO	PO67	Output	Data output to RS-232C RS-232C data output for μ -com flash writing
39	VCC	VCC1		
40	M_RXDO	PI66	Input	Data input from RS-232C RS-232C data input for μ -com flash writing
41	VSS	VSS		
42	M_RTS/CLKO	PO65	Output Input	RTS output to RS-232C RS-232C clock input for μ com flash writing
43	M_CTS	PI64	Input Output	CTS output to RS-232C RS-232C BUSY output for μ -com flash writing
44	SDM	PO63	Output	Serial data output to DIR, front-end DSP, D4SPJ
45	SDD	PI62	Input	Serial data input from DIR, front-end DSP, D4SPJ
46	SCK	PO61	Output	Serial clock output to DIR, front-end DSP, D4SPJ
47	IRQY1	PO60	Input	Interrupt request 1 input from D4SPJ
48	Reserved	PO137	Input	Open (IRQY2)
49	TUNER_CLK	PI136	Output	Serial clock output to FM tuner
50	TUNER_RX	PI135	Input	Serial data input from FM tuner
51	TUNER_TX	PO134	Output	Serial data output to FM tuner
52	/CSY1	PO57	Output	Chip select signal 1 to D4SPJ
53	/ICY	PO56	Output	RESET signal to D4SPJ
54	/INTH_RT	PI55	Input	Interrupt input from HDMI
55	DISABLE_Y	PO54	Output	D4SPJ PWM output disable signal

No.	Port Name	Function Name (P.C.B.)	Port I/O	Detail of Function
56	Reserved	PO133	Output	Open (/CSY2)
57	VSS	VSS		
58	/CSTIA	PO132	Output	Chip select signal to front-end DSP
59	VCC	VCC2		
60	TIA_BUSY	PI131	Input	BUSY signal from front-end DSP
61	TIA_MUTE	PO130	Output	MUTE signal to front-end DSP
62	TIA_RDY	PI53	Input	READY signal from front-end DSP
63	/ICTIA	PO52	Output	RESET signal to front-end DSP
64	NRESET	PO51	Output	RESET signal to back-end DSP
65		PI50	Input	Terminated
66	/DA1_MUTE	PO127	Output	MUTE signal to DAC for sub-woofer
67	/DA2_MUTE	PO126	Output	MUTE signal to DAC for woofer
68	D3_MUTEN	PO125	Output	MUTE signal to D3 digital AMP
69	D3_PROTN	PI47	Input	Protection detection signal from D3 digital AMP
70	Reserved	PO46	Output	Terminated (/ICS)
71	Reserved	PO45	Output	Terminated (AUPH)
72	MIC_DET	PI44	Input	MIC detection signal
73	/SW_MUTE	PO43	Output	MUTE signal of sub woofer
74		VCC2		GND
75	PW_RY	PO42	Output	Power relay control signal
76	VSS	VSS		
77	HPD1ENB	PO41	Output	HDMI HPD1ENB
78	HPD2ENB	PO40	Output	HDMI HPD2ENB
79	Reserved	PI37	Output	Open (/ICV)
80	TUNER_MUTE	PO36	Output	MUTE signal to FM tuner
81	TUNER_TUNED	PI35	Input	TUNED signal from FM tuner
82	/TUNER_CE	PO34	Output	Chip select signal to FM tuner
83	TUNER_STEREO	PI33	Input	STEREO signal from FM tuner
84	Reserved	PI32		Open (RDS_RX)
85	Reserved	PO31		Open (RDS_CLK)
86	Reserved	PO124		Open (RDS_TX)
87	/RDS_CE/XM_RES	PO123	Output	Chip select signal to RDS RESET signal to XM LSI
88	RDS_RX	PO122	Input	Serial data input from RDS
89	OSD_CLK	PO121	Output	Clock output to OSD/RDS/FL driver
90	OSD_TX	PO120	Output	Data output to OSD/RDS/FL driver
91	VCC	VCC2		
92	OSD_RESET	PO30	Output	RESET signal to OSD LSI
93	VSS	VSS		
94	/OSD_CE	PO27	Output	Chip select output to OSD driver
95	OSD_BUSY	PI26	Input	BUSY signal from OSD LSI
96	DDC_SELO	PO25	Output	HDMI DDC select0 output
97	DDC_SEL1	PO24	Output	HDMI DDC select1 output
98	SCL_DAB	PO23	Output	Clock output to DAB tuner
99	SDA_DAB	PO22	Input/Output	Data line between DAB tuner
100	/FL_CE	PO21	Output	Chip select signal to FL driver
101	FL_ON	PO20	Output	RESET signal to FL driver
102	PW_DOWN	/INT5	Input	Power down detection signal
103	STBY_SW	/INT4	Input	Standby switch input
104	/REM_CTL	/INT3	Input	Remote control signal input
105	PWR_ENB	PO14	Output	Power supply control for HDMI
106	/RES_C	PO13	Output	RESET signal to HDMI CEC
107	DDC_ENB	PO12	Output	HDMI DDC enable output
108	XMREV	PI11	Input	XM Rev detection
109	XMLINK	PO10	Input	XM link
110	Reserved	PO07	Output	Terminated
111	E2PROM_RX	PO06	Input	Data signal from EEPROM
112	E2PROM_CLK	PO05	Output	Clock signal to EEPROM
113	E2PROM_TX	PO04	Output	Data signal to EEPROM
114	Reserved	PO114	Input	Pull down

No.	Port Name	Function Name (P.C.B.)	Port I/O	Detail of Function
115	E2PROM_CS	PO113	Output	Chip select signal to EEPROM
116	Reserved	PO112	Input	Pull down
117	Reserved	PO111	Output	Terminated
118	Reserved	PO110	Output	Terminated
119	IN_SEL_CL	PO03	Output	Clock signal for analog input select
120	IN_SEL_DA	PO02	Output	Data signal for analog input select
121	Reserved	PO01	Output	Terminated (VOUT_MUTE)
122	Reserved	PO00	Output	Terminated (V_MUTE)
123	Reserved	PO157	Output	Terminated (V_SEL3)
124	Reserved	PO156	Output	Terminated (V_SEL2)
125	Reserved	PO155	Output	Terminated (V_SEL1)
126	Reserved	PO154	Output	Terminated (V_SEL0)
127	Reserved	PO153	Output	Terminated
128	XM_RX	PI152	Output	Data signal to XM
129	XMPWR	PO151	Output	XM power supply control signal
130		VSS		
131	XM_TX	PO150	Input	Data signal from XM
132	VCC	VCC1		
133	DEST	AN7	Input	Selection of destination input
134	VOL_DET1	AN6	Input	Voltage of power supply detection input 1
135	+3.3_DET	AN5	Input	+3.3V detection
136	VOL_DET2	AN4	Input	Voltage of power supply detection input 2
137	Reserved	AN3	Input	Pull down
138	KEY0	AN2	Input	Key input 0
139	KEY1	AN1	Input	Key input 1
140		AVSS		GND
141	MODEL	AN0	Input	Selection of model input
142		VREF	Input	+3.3V
143		AVCC	Input	+3.3V
144	SCL_400L	PO97	Input/Output	Clock input/output of HDMI serial port (400kHz)

Key detection for A/D port

Pull-up resistance 10 k-ohms

R [ohm]	0 k	1.2 k
V [V]	0-0.2	0.3-0.5
KEY0 (138 pin/AN2)	VOLUME +	INPUT
KEY1 (139 pin/AN1)	VOLUME -	-

Destination for A/D port

Pull-up resistance 10 k-ohms

	J	UC	KV	A	B	GE	L
R280 [ohm]	-	39 k	24 k	10 k	15 k	91 k	6.8 k
133 pin/AN7 [V]	3.1-3.3	2.5-2.8	2.2-2.5	1.5-1.8	1.8-2.1	2.8-3.1	1.2-1.5

Model for A/D port

	YSP-3000/YSP-30D	HTY-7030
R327 [ohm]	-	10 k
141 pin/AN0 [V]	3.0-3.3	0.3-0.5

BLOCK DIAGRAM

INPUT • See page 81, 82 → SCHEMATIC DIAGRAM

DSP • See page 79, 80 → SCHEMATIC DIAGRAM

POWER
• See page 85, 86 → SCHEMATIC DIAGRAM

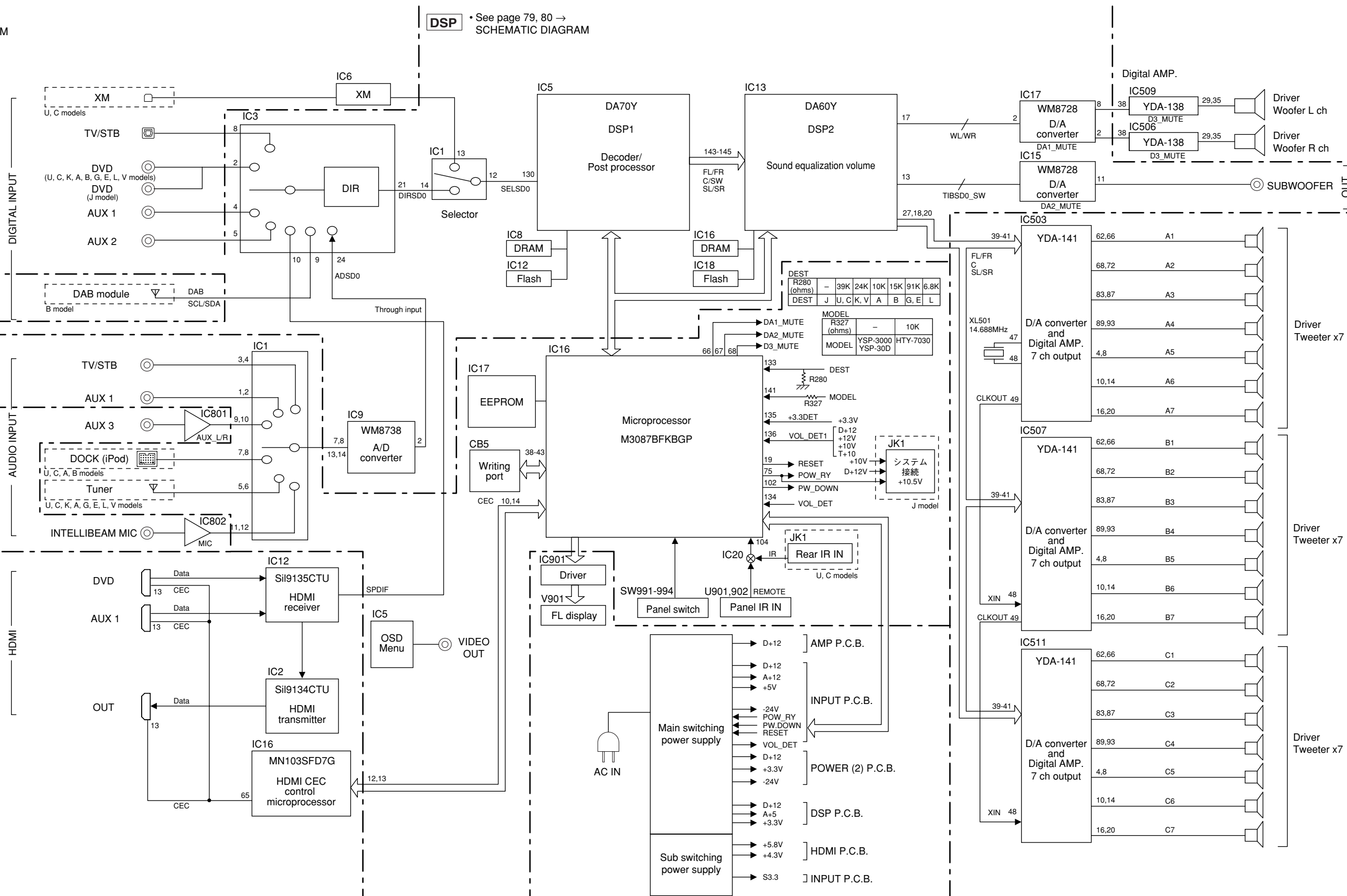
INPUT
• See page 81, 82 → SCHEMATIC DIAGRAM

POWER
• See page 85, 86 → SCHEMATIC DIAGRAM

HDMI
• See page 84 → SCHEMATIC DIAGRAM

POWER • See page 85, 86 → SCHEMATIC DIAGRAM

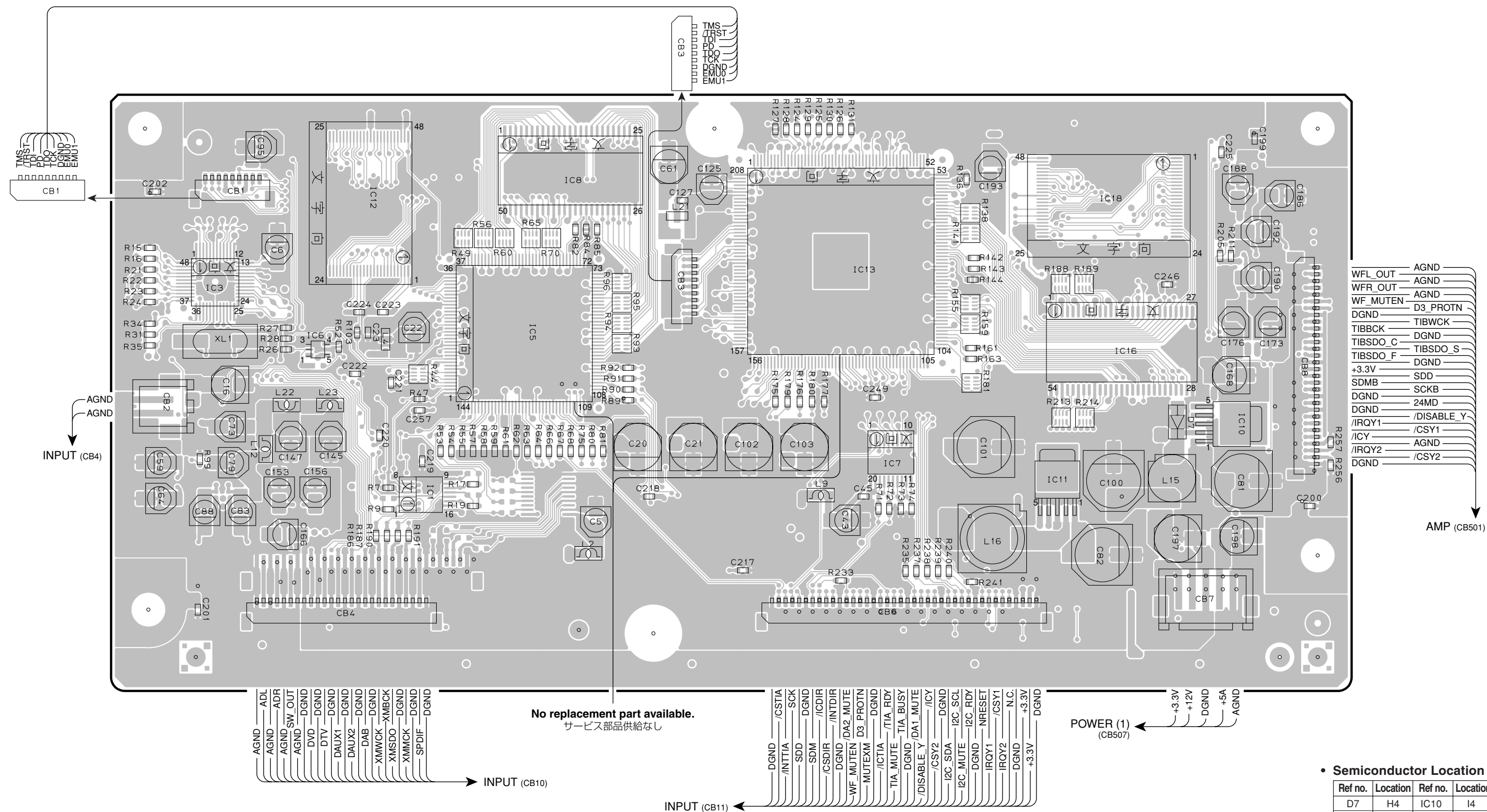
AMP • See page 83 → SCHEMATIC DIAGRAM



1
2
3
4
5
6
7

PRINTED CIRCUIT BOARDS

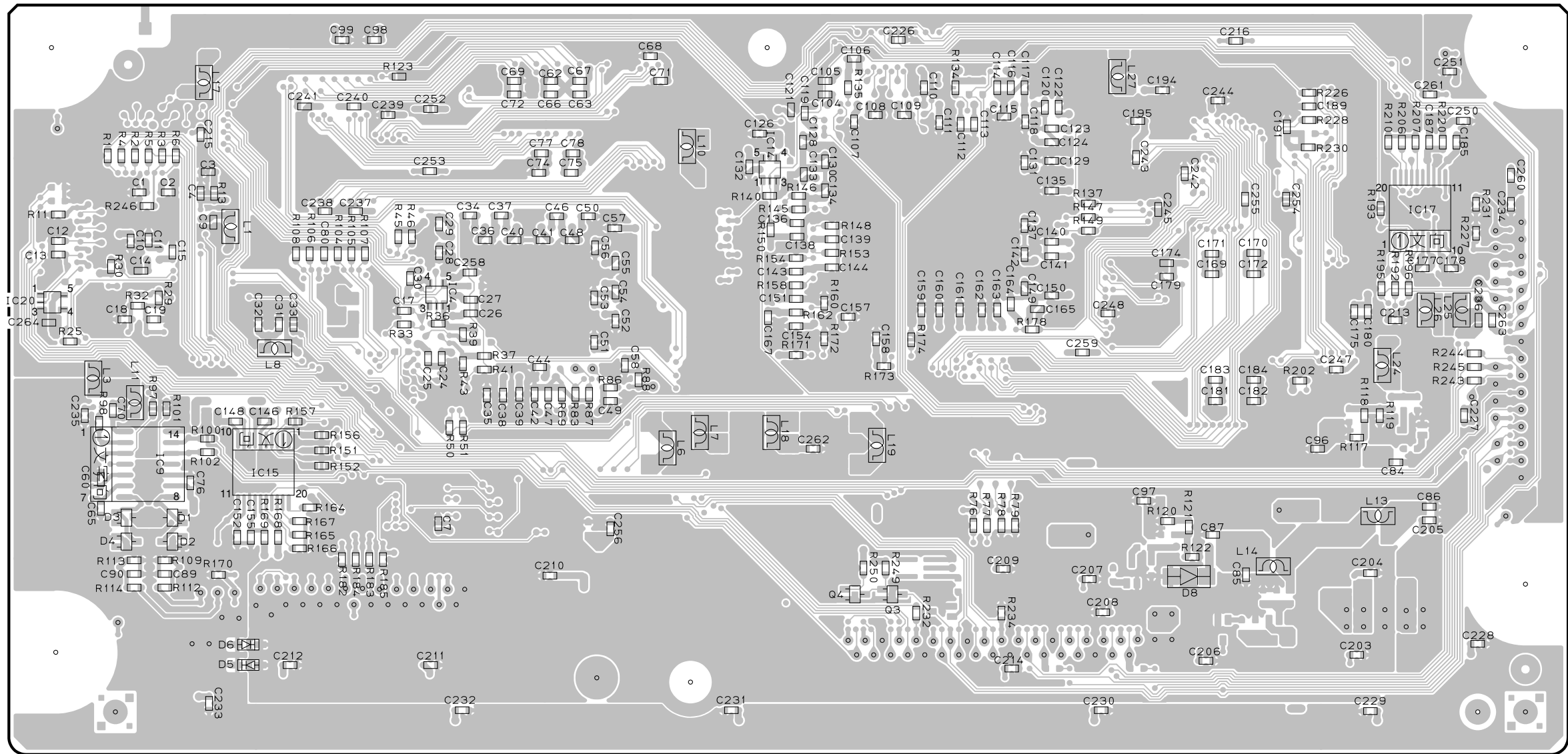
DSP P.C.B. (Side A)



• Semiconductor Location

Ref no.	Location	Ref no.	Location
D7	H4	IC10	I4
IC1	D5	IC11	H5
IC3	B3	IC12	C3
IC5	D4	IC13	F3
IC6	C4	IC16	H4
IC7	G4	IC18	H3
IC8	E3		

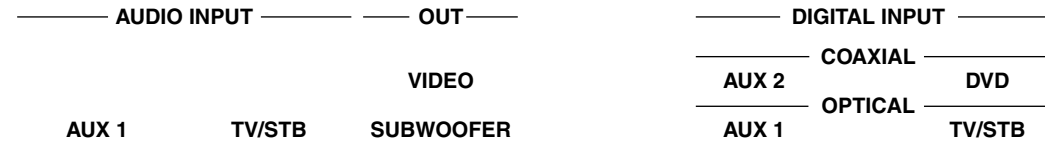
DSP P.C.B. (Side B)



• **Semiconductor Location**

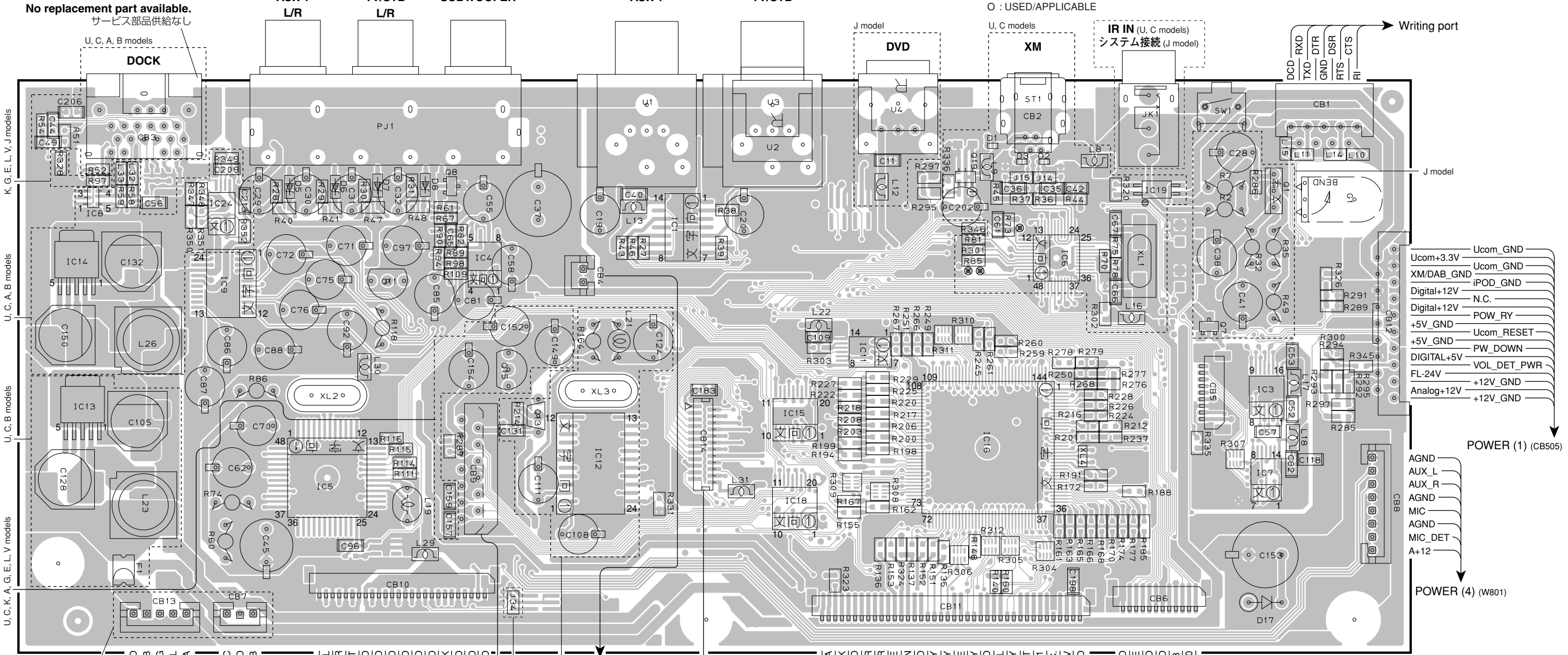
Ref no.	Location	Ref no.	Location
D1	C5	IC9	B4
D2	C5	IC14	F3
D3	B5	IC15	C4
D4	B5	IC17	I3
D5	C5	IC20	B4
D6	C5	Q3	F5
D8	H5	Q4	F5
IC4	D4		

INPUT P.C.B. (Side A)



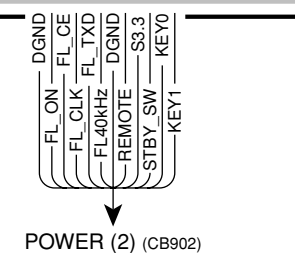
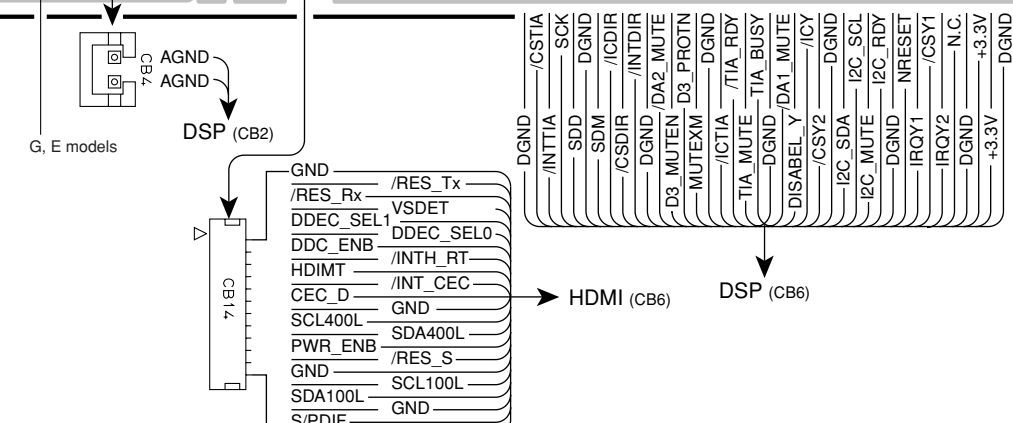
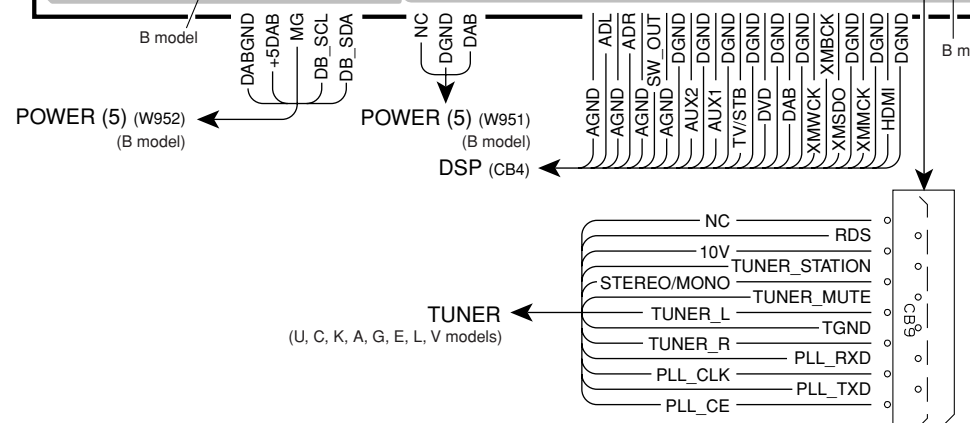
Circuit No.	U, C	K, L, V	A	B	G, E	J
C20	○	○	○	○	○	×
IC15	○	○	○	○	○	×
R27	○	○	○	○	○	×
R289	○	○	○	×	○	×
R295	○	×	×	○	×	×
R297	○	×	○	○	×	×
R331	○	○	○	○	×	○
R346	×	○	○	○	○	○
U2	×	×	×	×	×	○
U3	○	○	○	○	○	×

X : NOT USED
○ : USED/APPLICABLE



- Ucom+3.3V Ucom_GND
- XM/DAB_GND Ucom_GND
- Digital+12V IPOD_GND
- Digital+12V N.C.
- +5V_GND POW_RY
- +5V_GND Ucom_RESET
- DIGITAL+5V PW_DOWN
- FL-24V VOL_DET_PWR
- Analog+12V +12V_GND
- Analog+12V +12V_GND

- AGND POWER (1) (CB505)
- AUX_L
- AUX_R
- AGND
- MIC
- AGND
- MIC_DET
- A+12
- POWER (4) (W801)



• Semiconductor Location

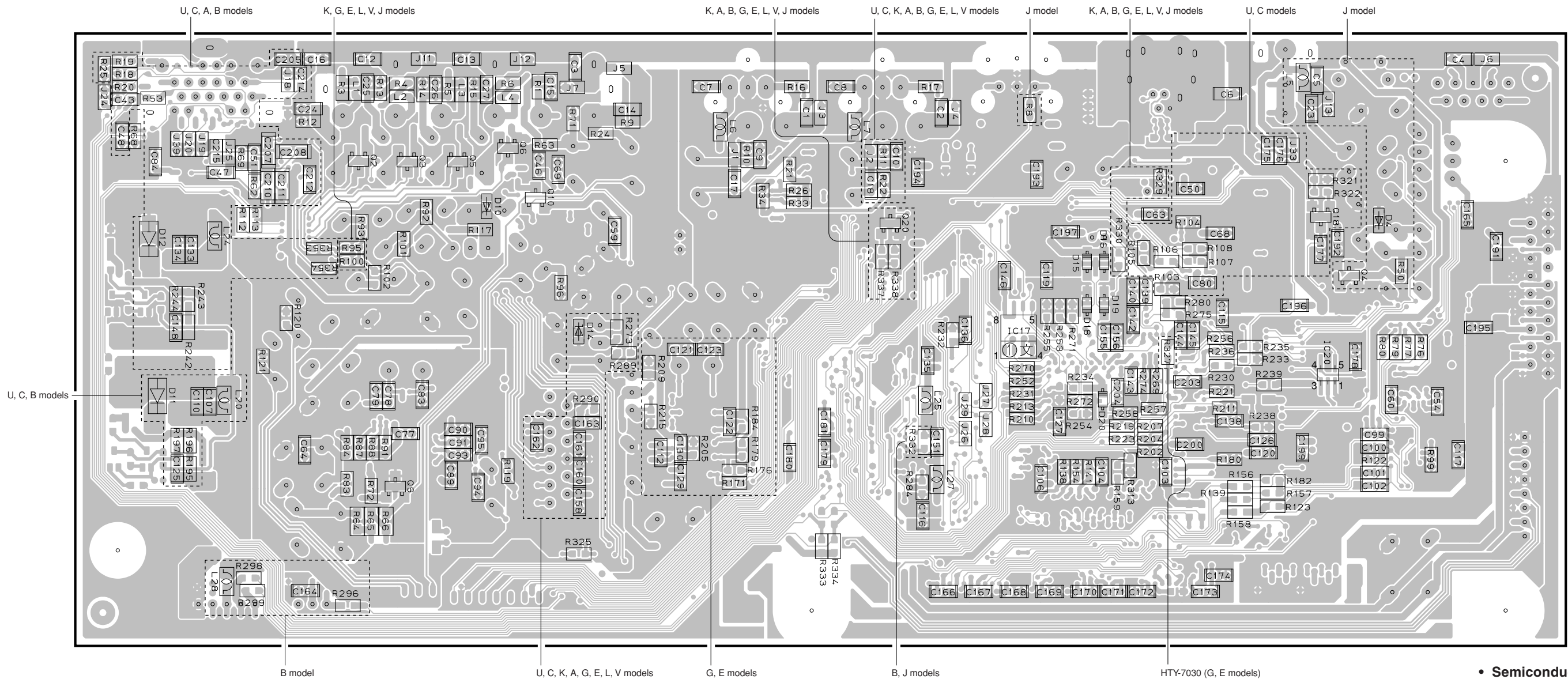
Ref no.	Location	Ref no.	Location	Ref no.	Location
D1	G3	IC5	C5	IC18	F5
D2	G3	IC6	G3	IC19	H3
D3	G3	IC7	I5	IC24	B3
D5	C3	IC8	A3	Q1	I3
D6	C3	IC9	B4	Q7	H4
D7	C3	IC11	F4	Q8	D3
D8	C3	IC12	D5	Q11	C4
D17	I5	IC13	A4	Q13	D4
IC1	E3	IC14	A3	Q15	D4
IC3	I4	IC15	F4	Q19	G3
IC4	D3	IC16	G5		

INPUT P.C.B. (Side B)

Circuit No.	U, C, A, B	K, G, E, L, V	J
C48	O	X	X
C135	O	O	X
L25	O	O	X
R34	O	O	X
R280	O	O	X

X : NOT USED
O : USED/APPLICABLE

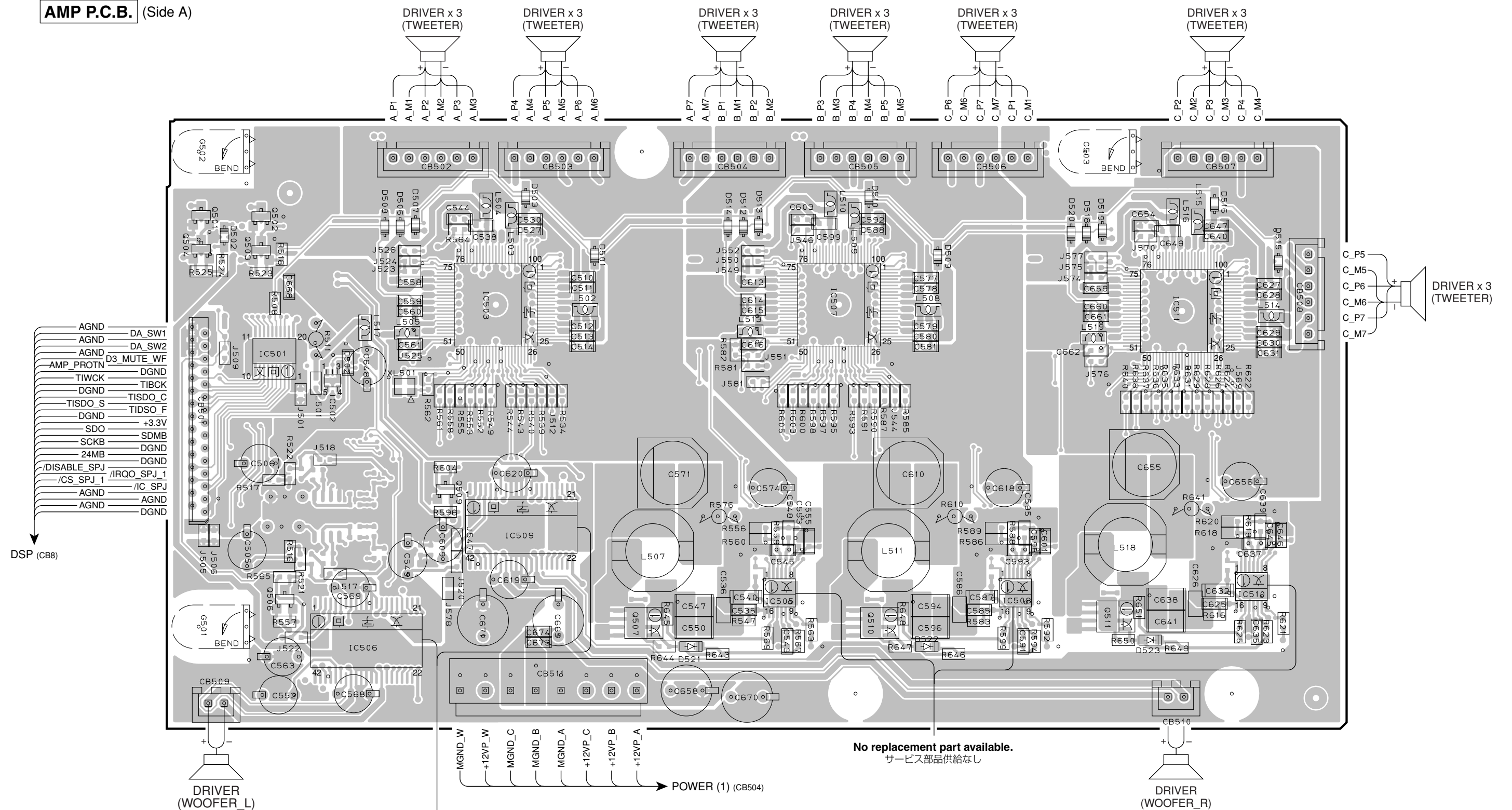
1
2
3
4
5
6
7



• Semiconductor Location

Ref no.	Location	Ref no.	Location
D4	I3	IC20	H4
D10	D3	Q2	C3
D11	B4	Q3	C3
D12	B3	Q4	H4
D14	D4	Q5	C3
D15	G4	Q6	D3
D16	G4	Q9	C5
D18	G4	Q10	D3
D19	G4	Q18	H3
D20	G4	Q20	F3
IC17	G4		

AMP P.C.B. (Side A)



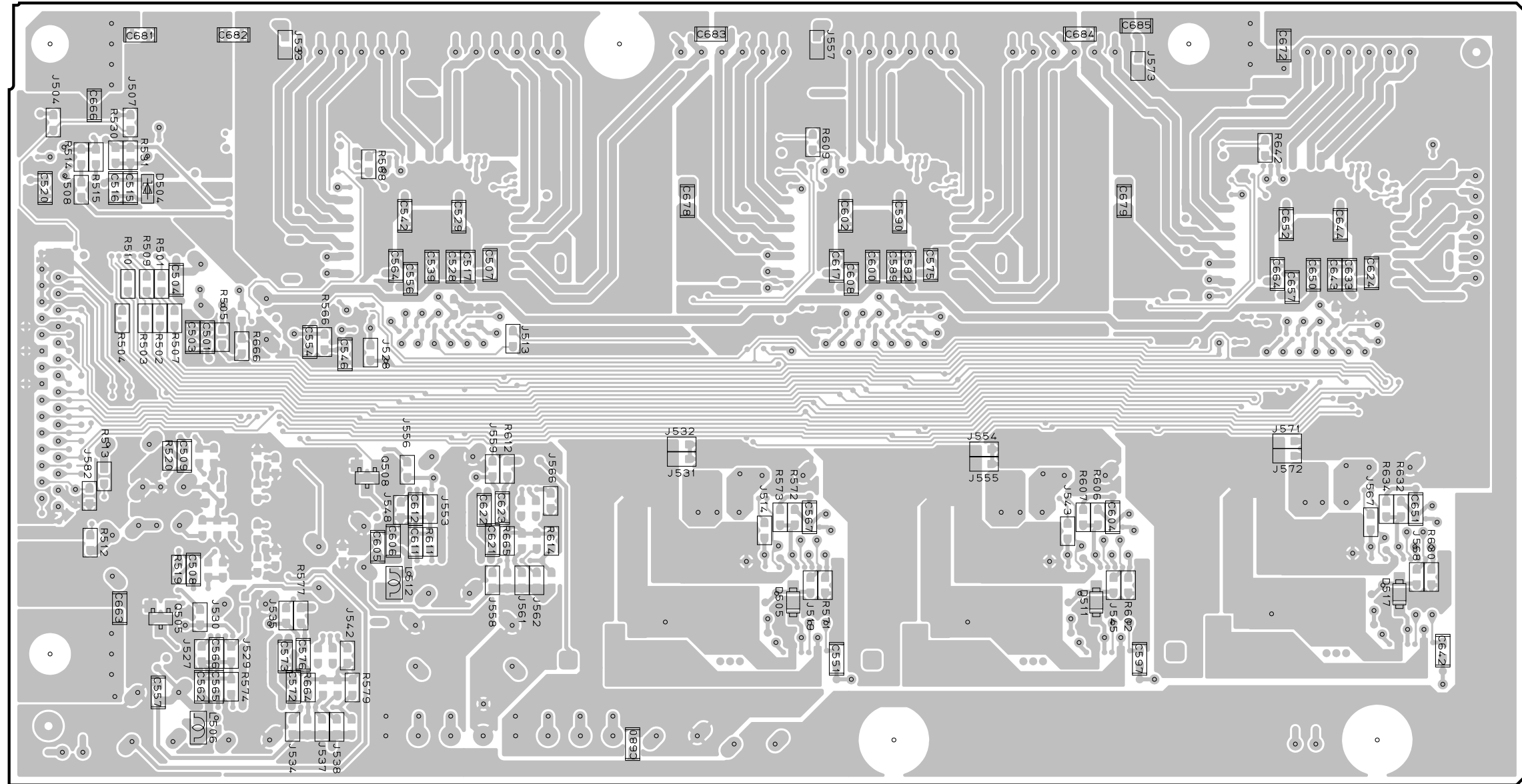
No replacement part available.
サービス部品供給なし

No replacement part available.
サービス部品供給なし

• Semiconductor Location

Ref no.	Location	Ref no.	Location	Ref no.	Location	Ref no.	Location	Ref no.	Location	Ref no.	Location	Ref no.	Location	Ref no.	Location
D501	E3	D508	C3	D514	F3	D520	H3	IC502	C4	IC508	G5	Q502	C3	Q509	D4
D502	B3	D509	G3	D515	I3	D521	E5	IC503	D3	IC509	D5	Q503	C3	Q510	G5
D503	D3	D510	F3	D516	I3	D522	G5	IC505	F5	IC510	I5	Q504	B3	Q511	H5
D506	C3	D512	F3	D518	H3	D523	H5	IC506	C5	IC511	H3	Q506	C5		
D507	D3	D513	F3	D519	H3	IC501	C4	IC507	F3	Q501	B3	Q507	E5		

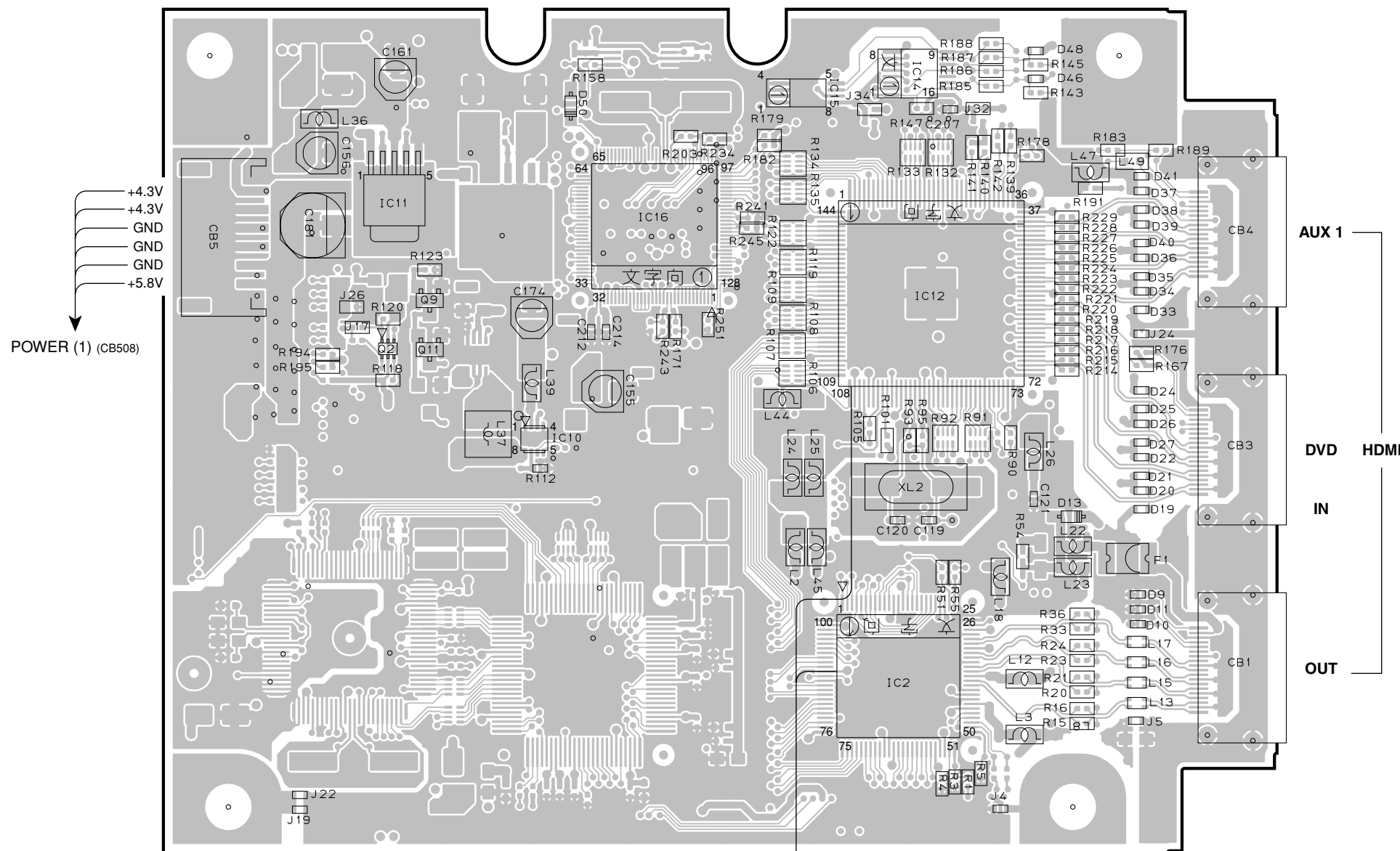
AMP P.C.B. (Side B)



• Semiconductor Location

Ref no.	Location
D504	B3
D505	F5
D511	G5
D517	I5
Q505	C5
Q508	D4

HDMI P.C.B. (Side A)

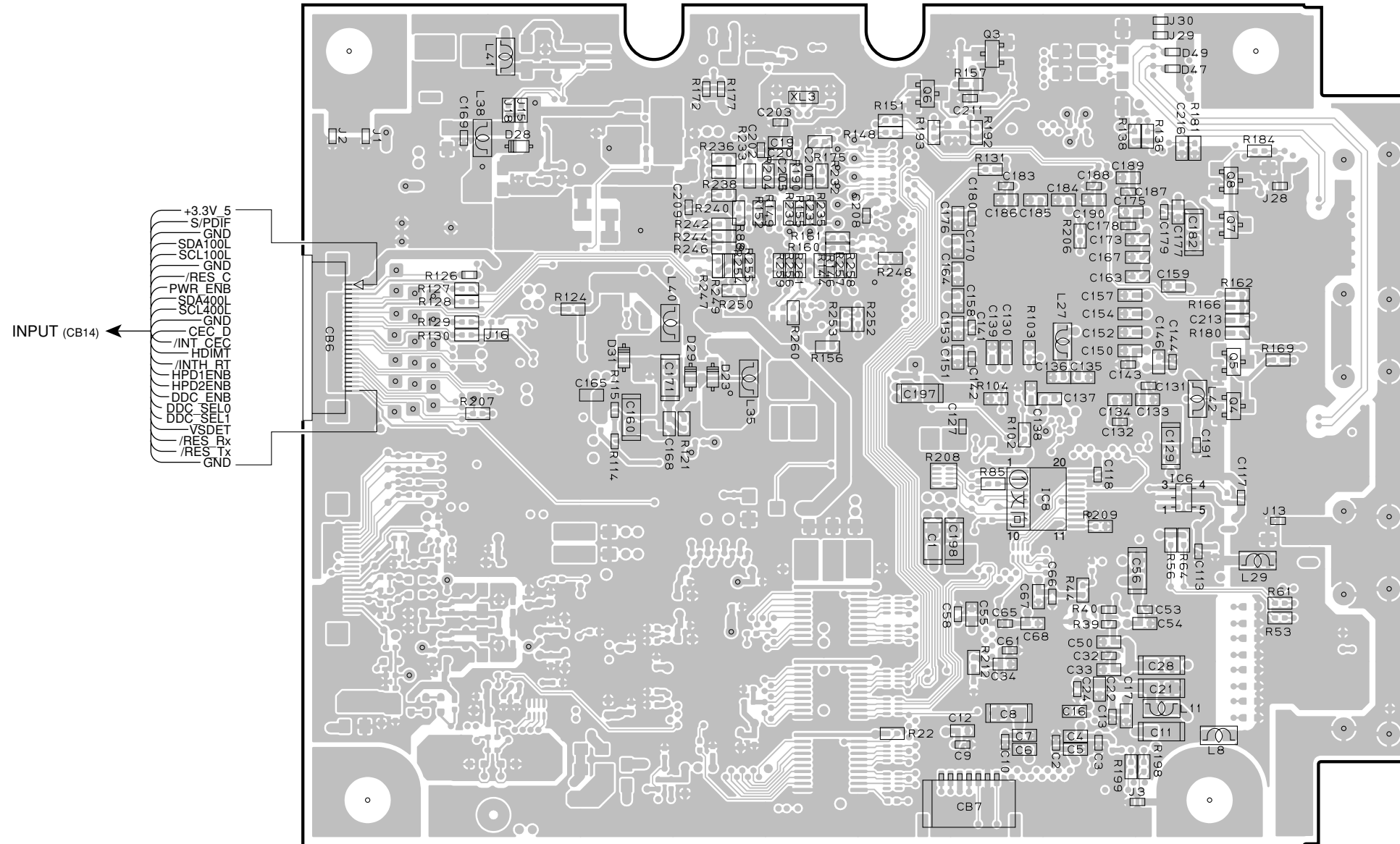


No replacement part available.
サービス部品供給なし

• Semiconductor Location

Ref no.	Location	Ref no.	Location
D9	H5	D38	H3
D10	H5	D39	H3
D11	H5	D40	H3
D13	G5	D41	H3
D19	H5	D46	G3
D20	H4	D48	G2
D21	H4	D50	E3
D22	H4	IC2	F5
D24	H4	IC10	E4
D25	H4	IC11	D3
D26	H4	IC12	G4
D27	H4	IC14	F3
D33	H4	IC15	F3
D34	H4	IC16	E3
D35	H4	Q2	D4
D36	H3	Q9	D4
D37	H3	Q11	D4

HDMI P.C.B. (Side B)



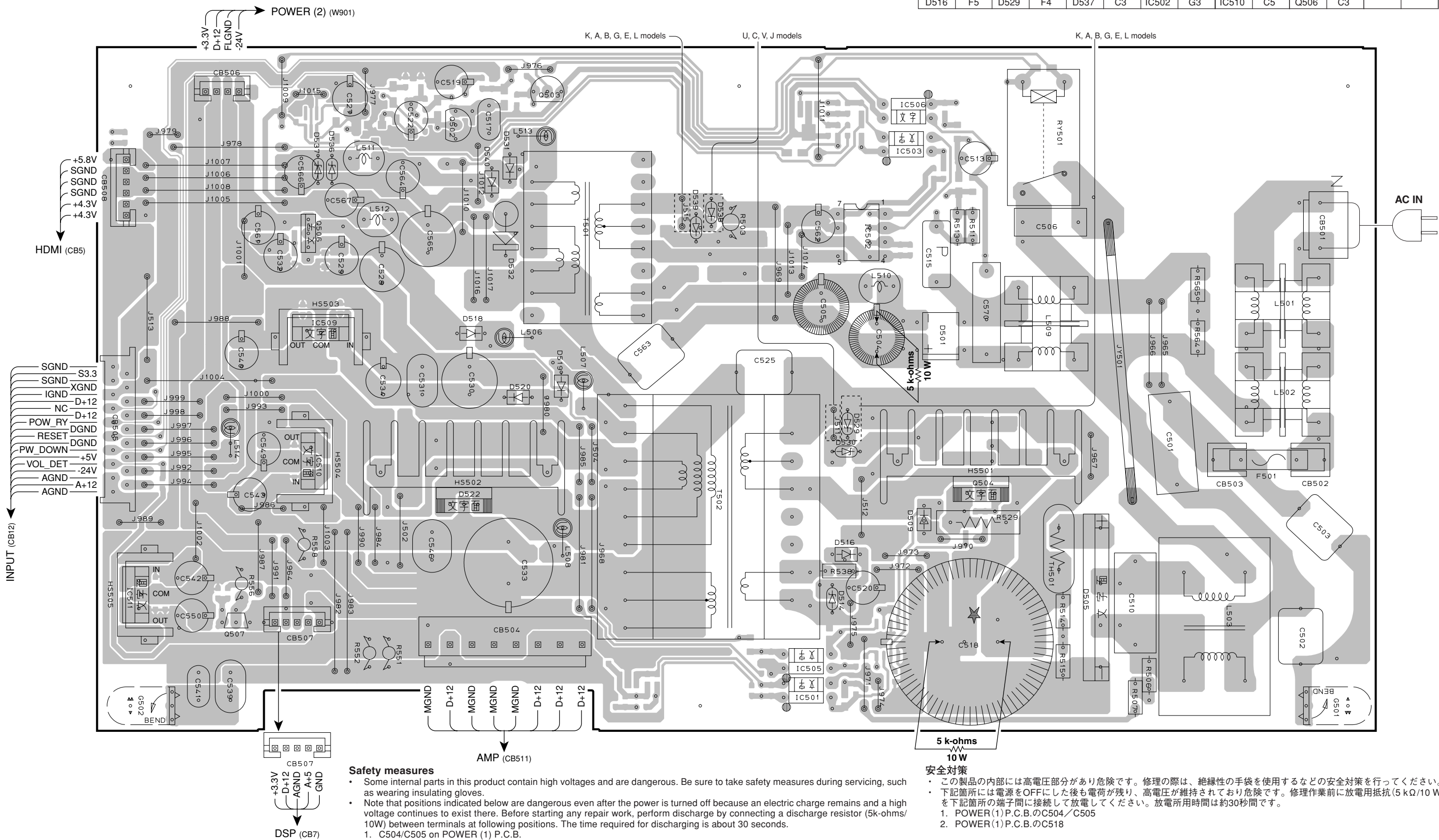
• Semiconductor Location

Ref no.	Location
D23	E4
D28	D3
D29	E4
D31	D4
D47	G3
D49	G3
IC6	G5
IC8	F5
Q3	F3
Q4	G4
Q5	G4
Q6	F3
Q7	G3
Q8	G3

POWER (1) P.C.B. (Side A)

• **Semiconductor Location**

Ref no.	Location	Ref no.	Location	Ref no.	Location	Ref no.	Location	Ref no.	Location	Ref no.	Location	Ref no.	Location
D501	G4	D518	D4	D530	F5	D538	F3	IC503	G3	IC511	B6	Q507	B6
D505	H6	D519	E4	D531	D3	D539	E3	IC505	F6	Q502	D2		
D509	G5	D520	D4	D532	D3	D540	D3	IC506	G2	Q503	D2		
D514	F6	D522	D5	D536	C3	IC501	F6	IC509	C4	Q504	G5		
D516	F5	D529	F4	D537	C3	IC502	G3	IC510	C5	Q506	C3		



Safety measures

- Some internal parts in this product contain high voltages and are dangerous. Be sure to take safety measures during servicing, such as wearing insulating gloves.
- Note that positions indicated below are dangerous even after the power is turned off because an electric charge remains and a high voltage continues to exist there. Before starting any repair work, perform discharge by connecting a discharge resistor (5k-ohms/10W) between terminals at following positions. The time required for discharging is about 30 seconds.
 1. C504/C505 on POWER (1) P.C.B.
 2. C518 on POWER (1) P.C.B.

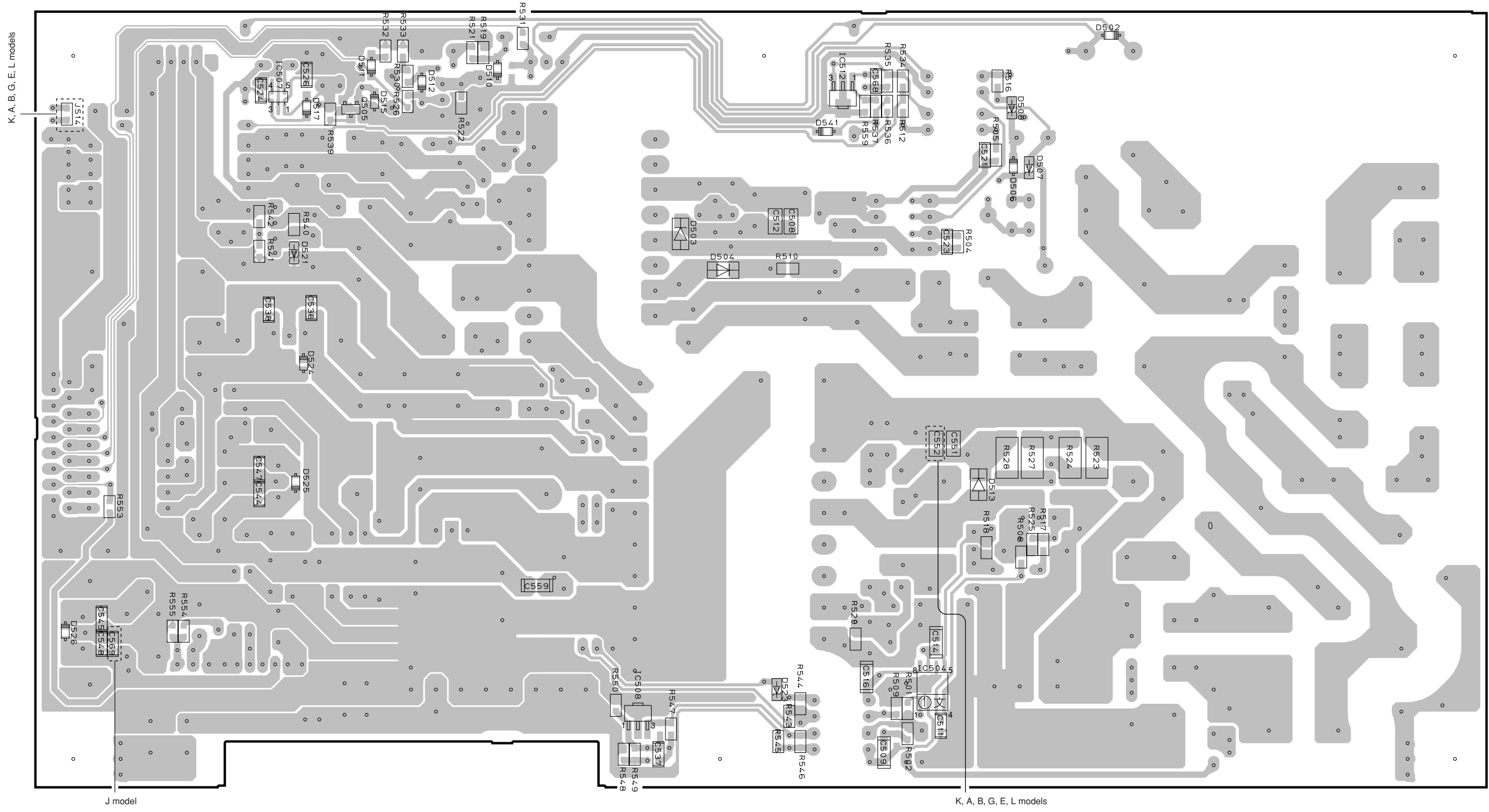
安全対策

- この製品の内部には高電圧部分があり危険です。修理の際は、絶縁性の手袋を使用などの安全対策を行ってください。
- 下記箇所には電源をOFFにした後も電荷が残り、高電圧が維持されており危険です。修理作業前に放電用抵抗(5 kΩ/10 W)を下記箇所の端子間に接続して放電してください。放電所用時間は約30秒間です。
 1. POWER(1)P.C.B.のC504/C505
 2. POWER(1)P.C.B.のC518

POWER (1) P.C.B. (Side B)

• **Semiconductor Location**

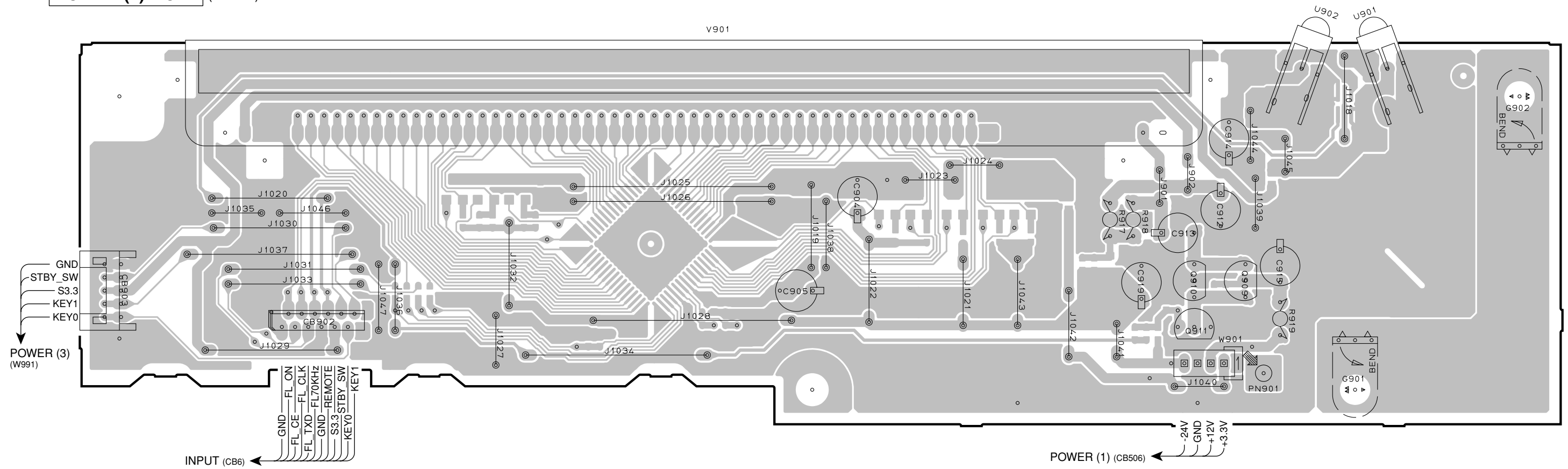
Ref no.	Location	Ref no.	Location	Ref no.	Location	Ref no.	Location	Ref no.	Location
D502	G2	D508	G2	D515	C2	D525	C5	IC508	E6
D503	E3	D510	D2	D517	C2	D526	A6	IC512	F2
D504	E3	D511	C2	D521	C3	D541	F3	Q505	C2
D506	G3	D512	C2	D523	F6	IC504	F6		
D507	G3	D513	G5	D524	C4	IC507	C2		



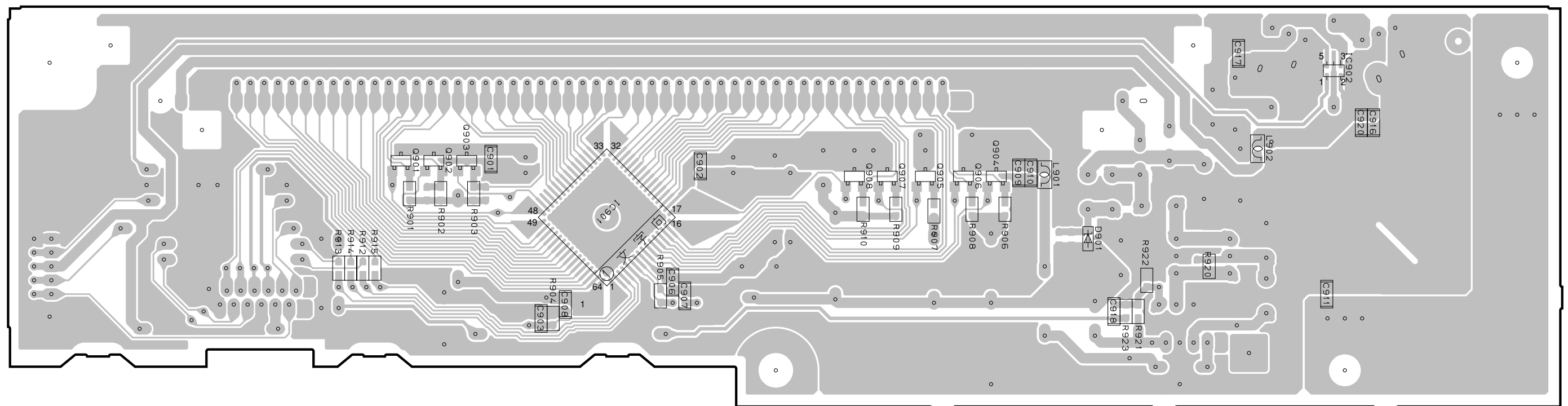
• Semiconductor Location

Ref no.	Location	Ref no.	Location	Ref no.	Location	Ref no.	Location	Ref no.	Location	Ref no.	Location	Ref no.	Location
D901	H6	IC902	I5	Q902	D6	Q904	G6	Q906	G6	Q908	F6	Q910	H3
IC901	E6	Q901	D6	Q903	D6	Q905	G6	Q907	F6	Q909	H3	Q911	H3

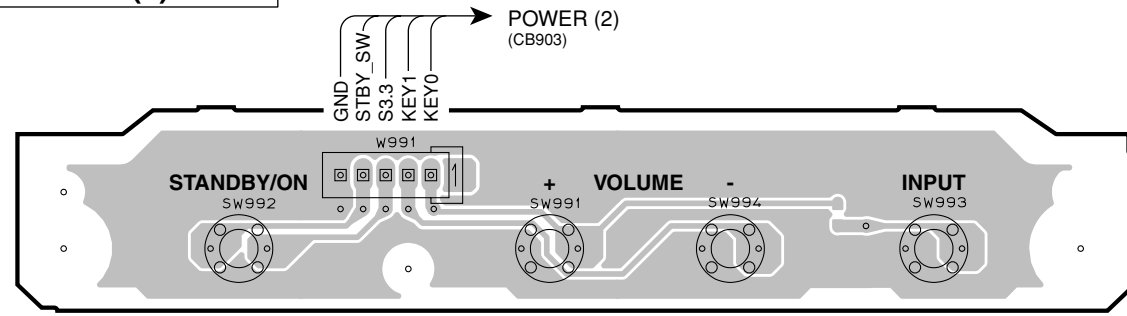
POWER (2) P.C.B. (Side A)



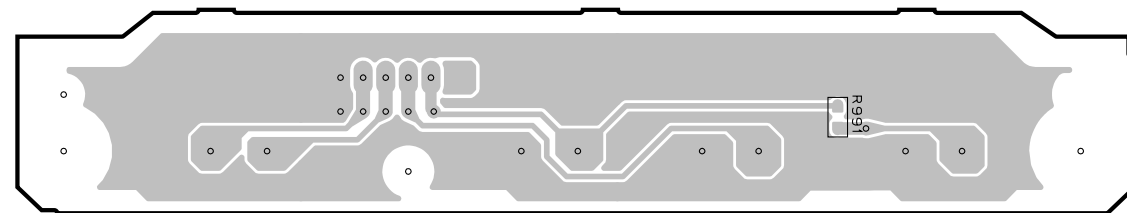
POWER (2) P.C.B. (Side B)



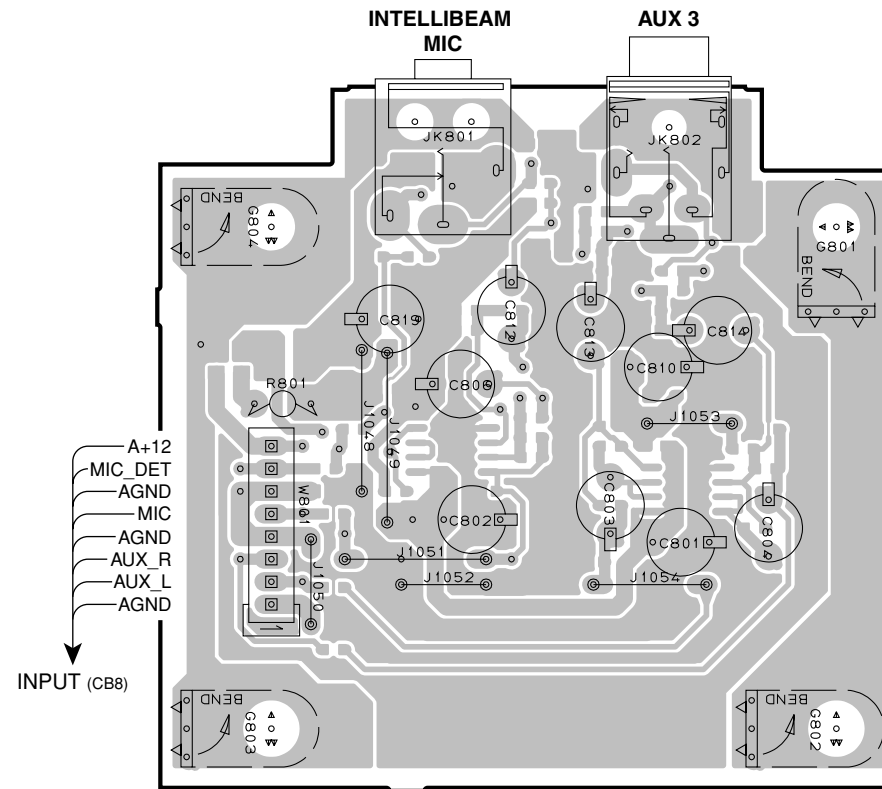
POWER (3) P.C.B. (Side A)



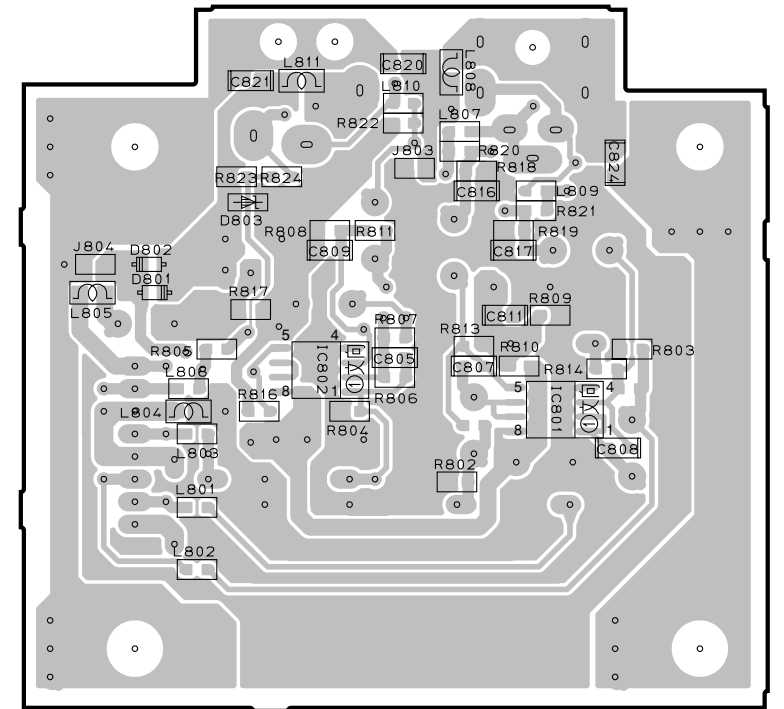
POWER (3) P.C.B. (Side B)



POWER (4) P.C.B. (Side A)

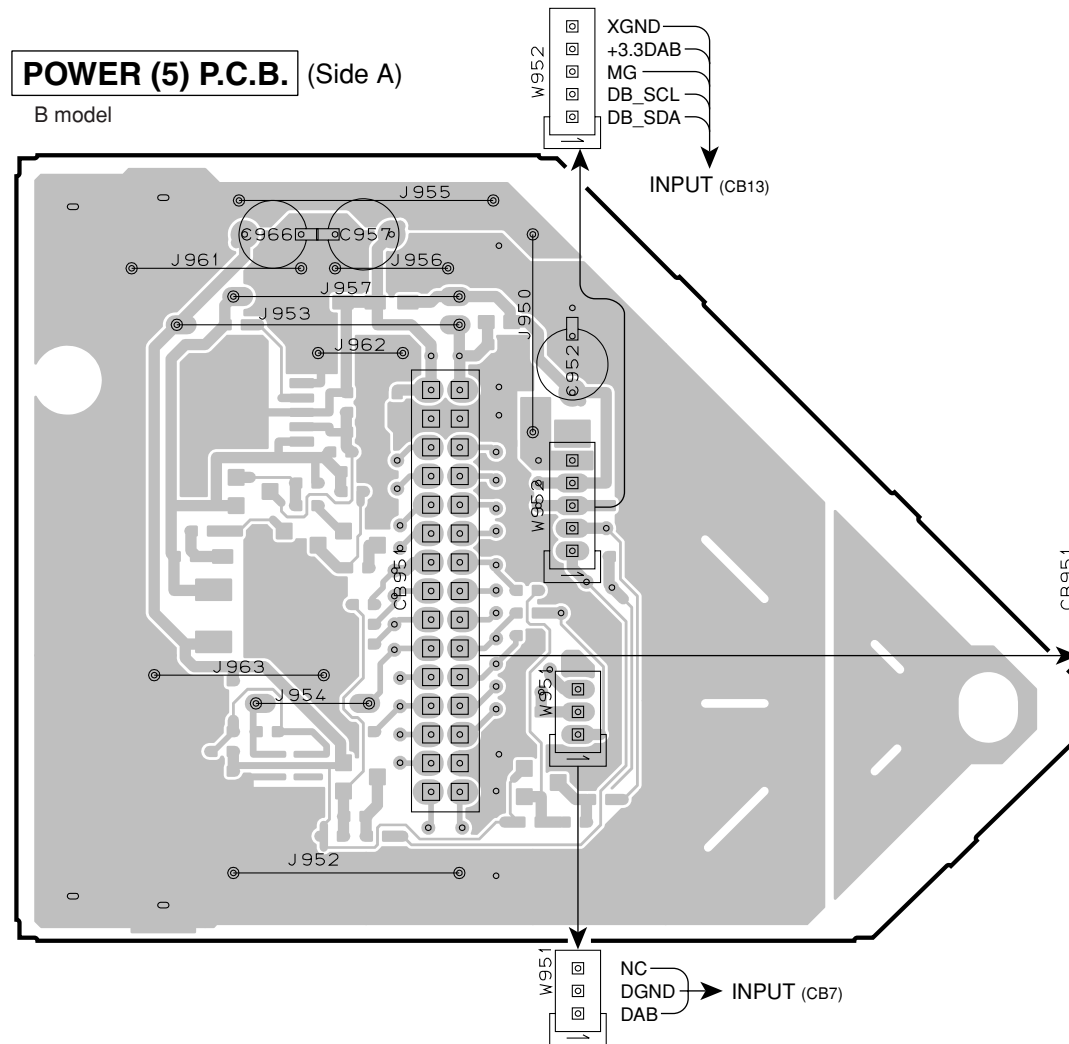


POWER (4) P.C.B. (Side B)



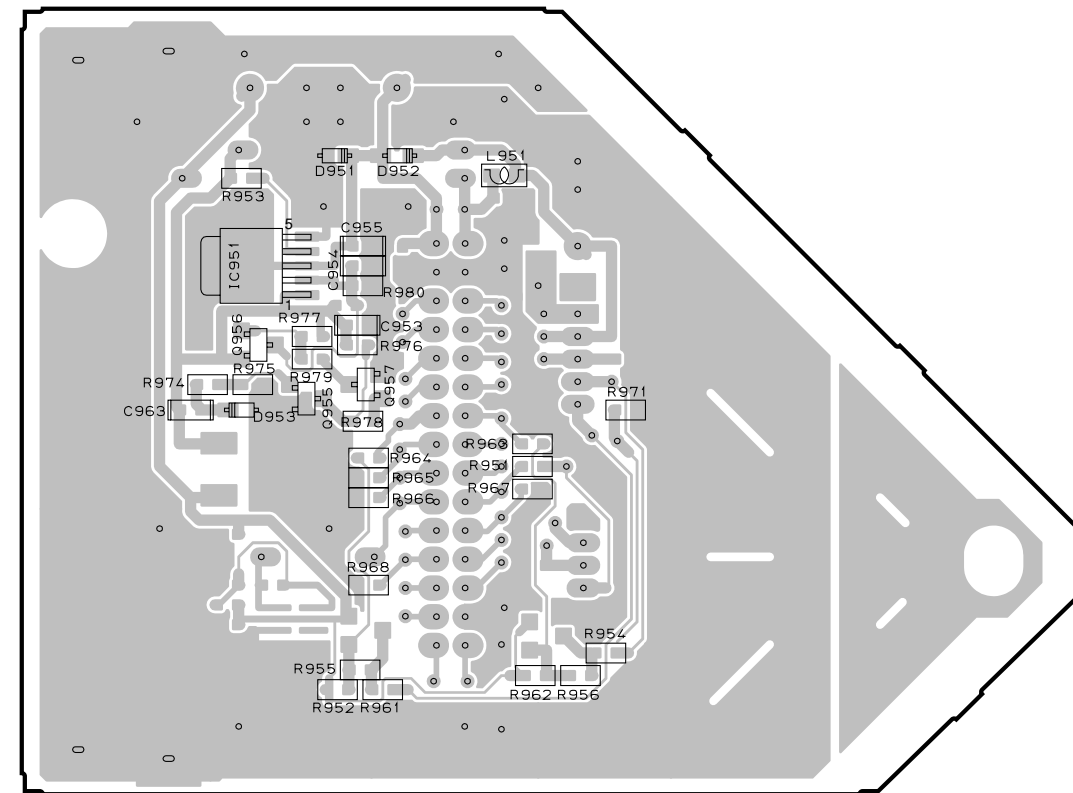
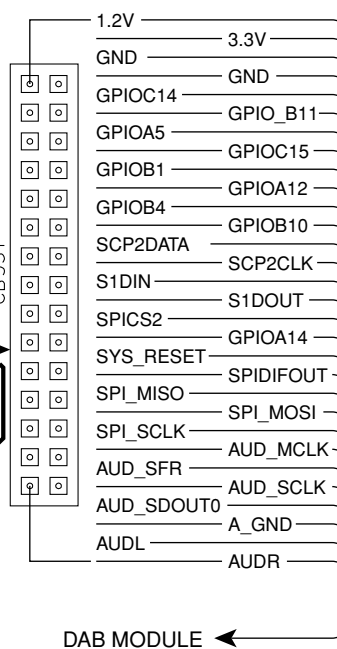
POWER (5) P.C.B. (Side A)

B model



POWER (5) P.C.B. (Side B)

B model



• Semiconductor Location

Ref no.	Location
D801	H3
D802	H3
D803	I2
D951	G5
D952	G5
D953	F6
IC801	J3
IC802	I3
Q955	G6
Q956	F5
Q957	G6

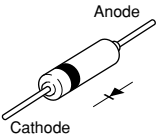
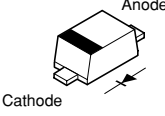
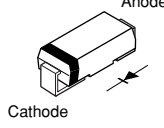
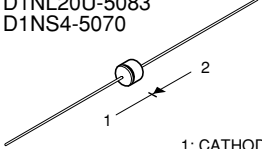
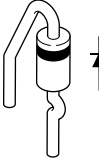
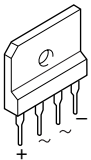
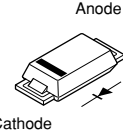
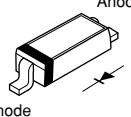
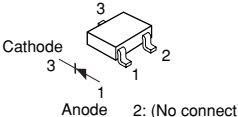
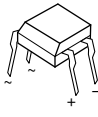
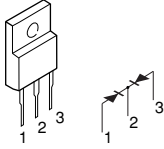
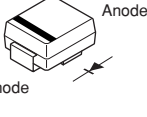
■ PIN CONNECTION DIAGRAMS

• ICs

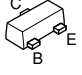
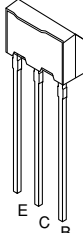
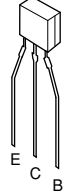
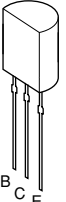

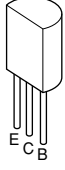
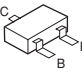
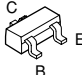
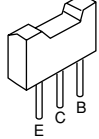
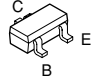
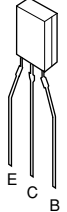
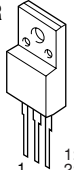
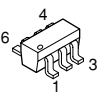
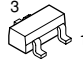
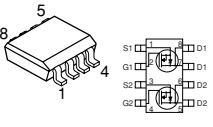
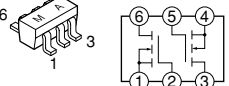
<p>BD3843FS-E2 LC72722PM</p>	<p>BR25L320F-W EEPROM</p>	<p>D60YA003BPYP225</p>	<p>D70YE101BRFP266 M3087BFKBBP</p>		
<p>F2621E-01-TR</p>	<p>FA5511N-D1-TE1</p>	<p>LC89057W-VF4AD-E</p>	<p>M24C02-WDW6TP</p>	<p>M66003-0131FP-R</p>	
<p>L6732TR MAX3232CPWR SN74CBT3253CPWR</p>	<p>MB90050PF-G-118-E1 MB90050PF-G-119-E1</p>	<p>MIP2F40MSSCF</p>	<p>MN103SFD7G</p>		
<p>NJM2068V</p>	<p>NJM3404AM-TE1</p>	<p>NJM431U</p> <p>1: REFERENCE 2: ANODE 3: CATHODE</p>	<p>NJM78M05FA</p> <p>1: IN 2: GND 3: OUT</p>	<p>NJM78M12FA</p> <p>1: IN 2: COM 3: OUT</p>	<p>NJU7754F05</p> <p>1: CONTROL 2: GND 3: NC 4: V_{OUT} 5: V_{IN}</p>
<p>PQ012FZ01ZPH</p>	<p>PQ033EZ01ZP</p>	<p>PQ1CZ41H2Z</p>	<p>R1154N033B-TR-F TC7SH08FU TC7SH126FU TC7SHU04FU</p>	<p>SN74LV244APWR TC74LCX245FT TC74LCX541FT TC74VHCT245AFT WM8728</p>	
<p>TB7102F</p>	<p>TC74HCU04AFEL</p>	<p>TC74VHC125FT</p>	<p>TC74VHC157FT</p>	<p>TC74VHCT08AFT WM8738</p>	

<p>SiI9134CTU YDA141-SZ</p>	<p>SiI9135CTU</p>	<p>TC7SH08F</p>	
<p>MX29LV160CBTC-70G</p>	<p>YDA138-EZE-2</p>	<p>W9816G6CH-7</p>	<p>W9864G6GH-7</p>

• Diodes

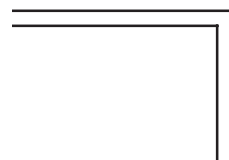
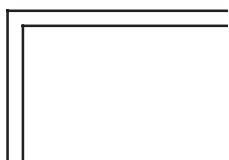
<p>1N4002S 1ZB200-Y (TPA3, Q) MTZJ27D MTZJ7.5B</p> 	<p>1SS355 MA8036 3.6V MA8051 -M 5.1V MA8062-M 6.2V MA8068-M 6.8V MA8100-H 10.3V MA8100-M 10.0V MA8110-M 11.0V MA8180-H 18.7V MA8220-L 21.3V MA8330-L 32.0V RB160M-30 RB501V-40</p> 	<p>D1FK60-5063 D1FL20U-5063 RB051L-40</p> 		
<p>D1NJ10-7070 D1NL20U-5083 D1NS4-5070</p>  <p>1: CATHODE 2: ANODE</p>	<p>D3S4M</p> 	<p>D5SBA60</p> 	<p>DG1M3-5063</p> 	<p>KDR357-RTK/P</p> 
<p>SB01-05Q</p>  <p>1: Anode 2: (No connect) 3: Cathode</p>	<p>S1NB60 1.0A 600V</p> 	<p>SF20SC6-7600</p> 	<p>STTH110A</p> 	

• Transistors

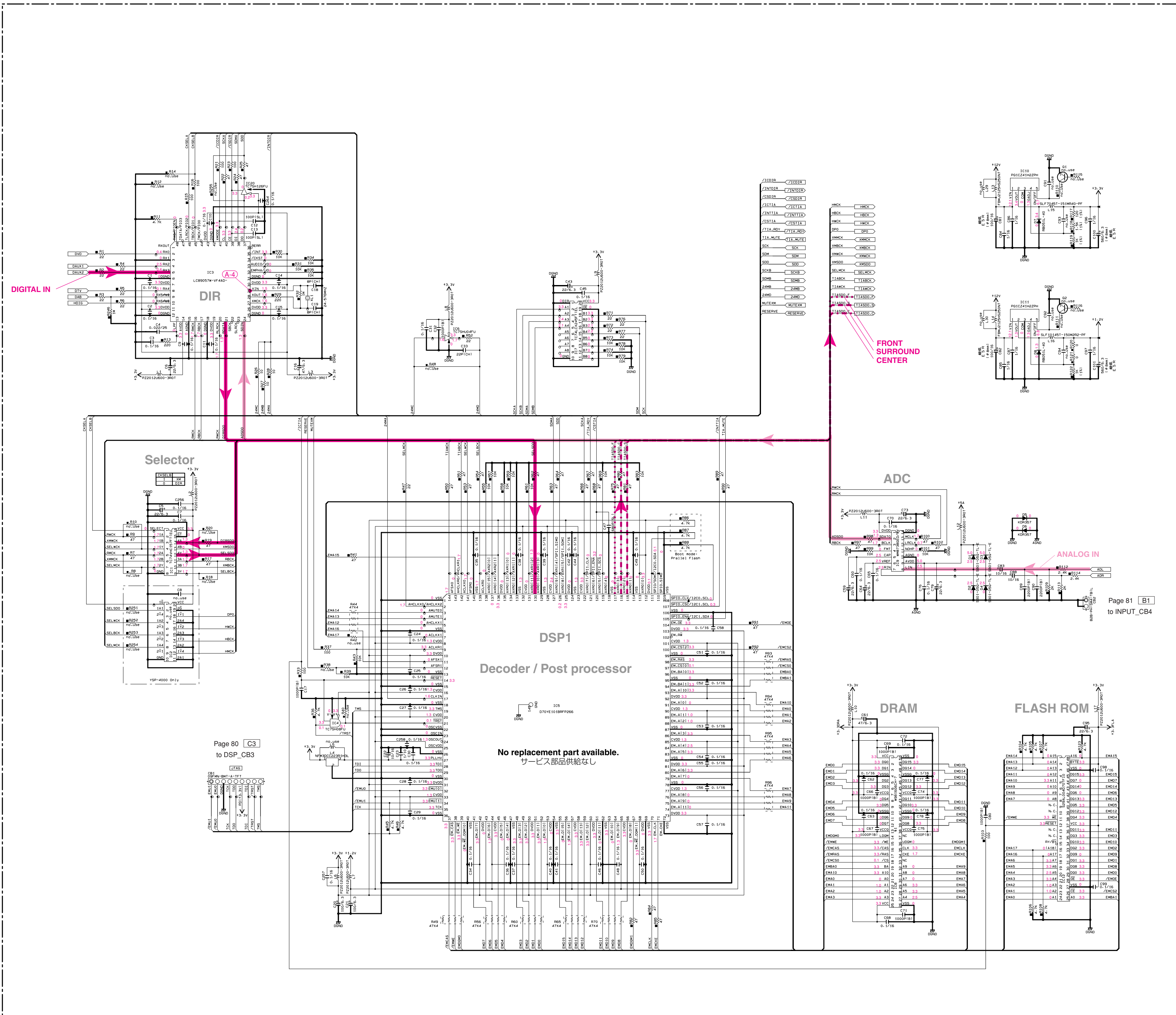
<p>2SA1037K</p> 	<p>2SA2093</p> 	<p>2SA933ASTP</p> 	<p>2SB544</p> 	<p>2SC1740S</p> 	<p>2SC1815</p> 
<p>2SC2412K</p> 	<p>2SC4081 T106</p> 	<p>2SC4488</p> 	<p>2SD1938F</p> 	<p>2SD400</p> 	<p>2SK3679-01MR 2SK3683-01MR</p>  <p>1: GATE 2: DRAIN 3: SOURCE</p>
<p>CPH6320-TL-E</p>  <p>1: Drain 2: Drain 3: Gate 4: Source 5: Drain 6: Drain</p>	<p>DTA114EKA DTC123JKA DTC124EUA DTC144EKA</p>  <p>1: GND 2: IN 3: OUT</p>	<p>STS8DNF3LL</p> 	<p>uPA672T-T1-A</p>  <p>1: Source 1 (S1) 2: Gate 1 (G1) 3: Drain 2 (D2) 4: Source 2 (S2) 5: Gate 2 (G2) 6: Drain 1 (D1)</p>		

YSP-3000/YSP-30D/
HTY-7030

MEMO

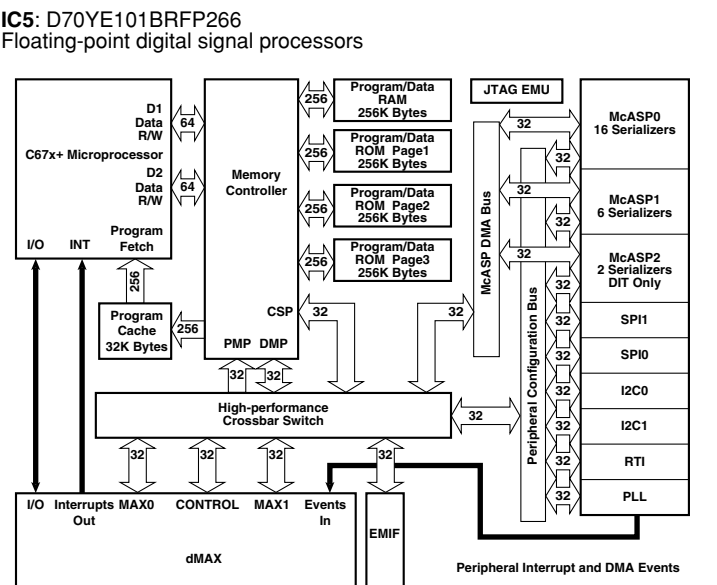
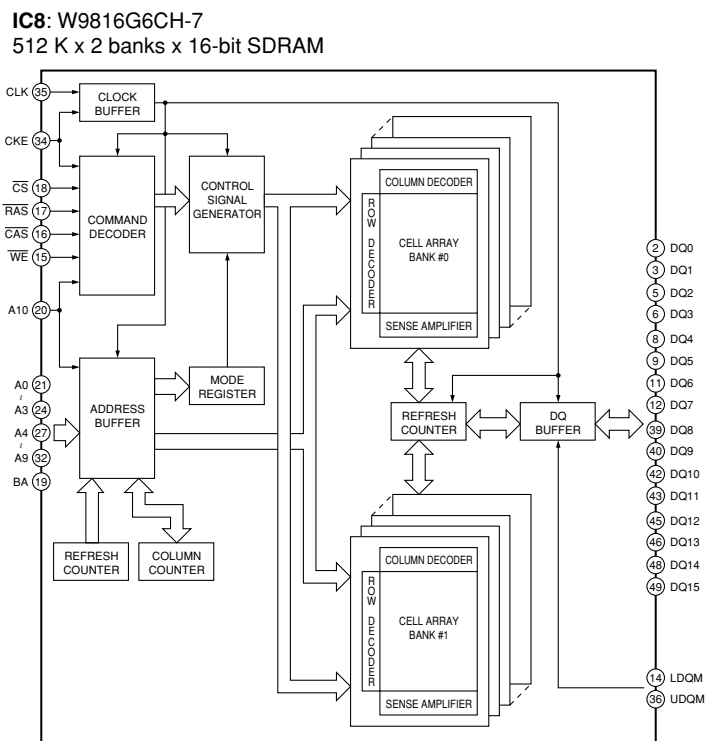
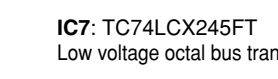
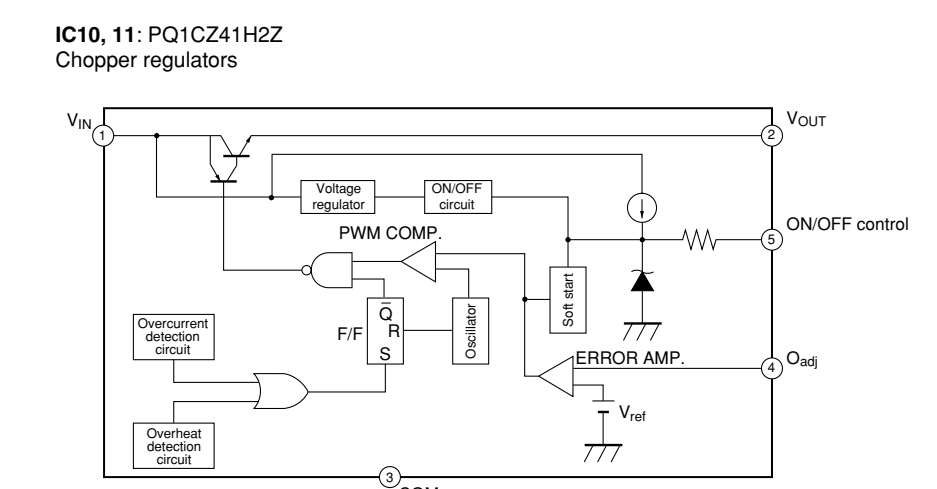
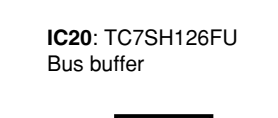
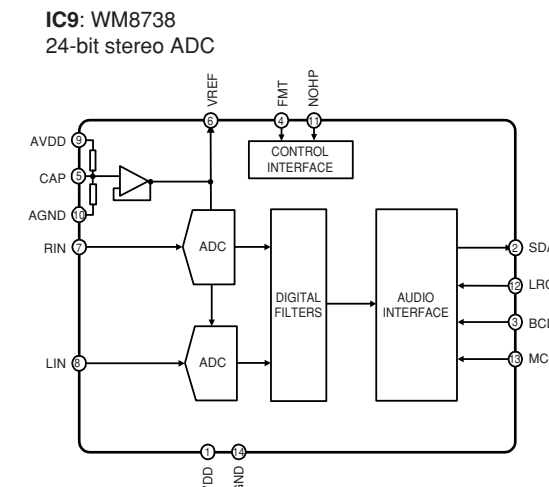


SCHEMATIC DIAGRAMS
DSP 1/2



Interchangeable Parts at Manufacture Stage

Mark	Reference Parts Number	Parts Name
11	IC8	W9816G6CH-7
12	IC16	W984500-7 W984500-7 15425164000-771



NOTICE (mode 1)

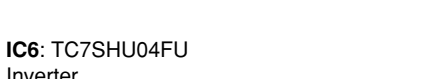
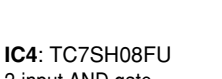
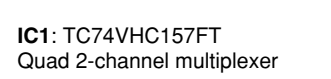
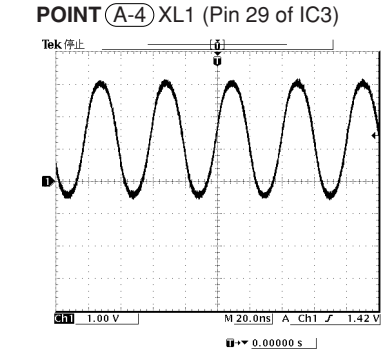
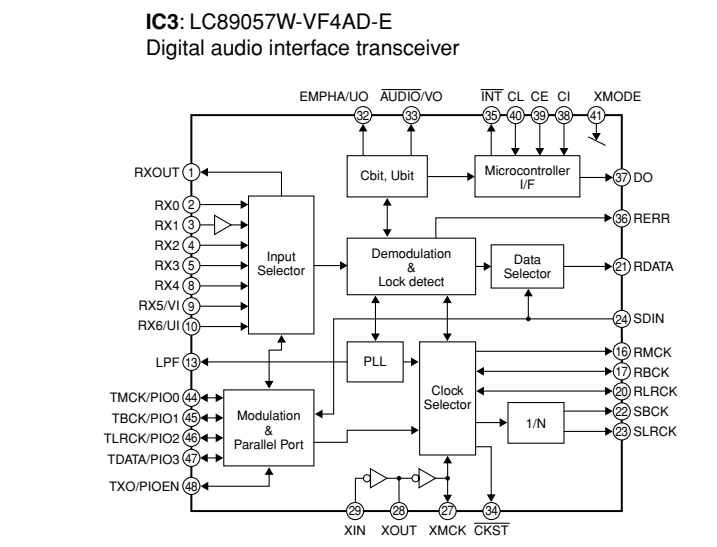
(J)..... JAPAN
(U)..... U.S.A.
(C)..... CANADA
(S)..... GENERAL
(T)..... CHINA
(K)..... KOREA
(A)..... AUSTRALIA
(B)..... BRITISH
(E)..... EUROPE
(L)..... SINGAPORE
(I)..... SOUTH EUROPE
(V)..... TAIWAN

RESISTOR

MARK	PARTS NAME
NO MARK	CARBON FILM RESISTOR (P+R)
□	CARBON FILM RESISTOR (P+10)
△	METAL OXIDE FILM RESISTOR
◇	METAL FILM RESISTOR
■	FIRE PROOF CARBON FILM RESISTOR
○	SEMICONDUCTIVE CERAMIC RESISTOR
□	CHIP RESISTOR

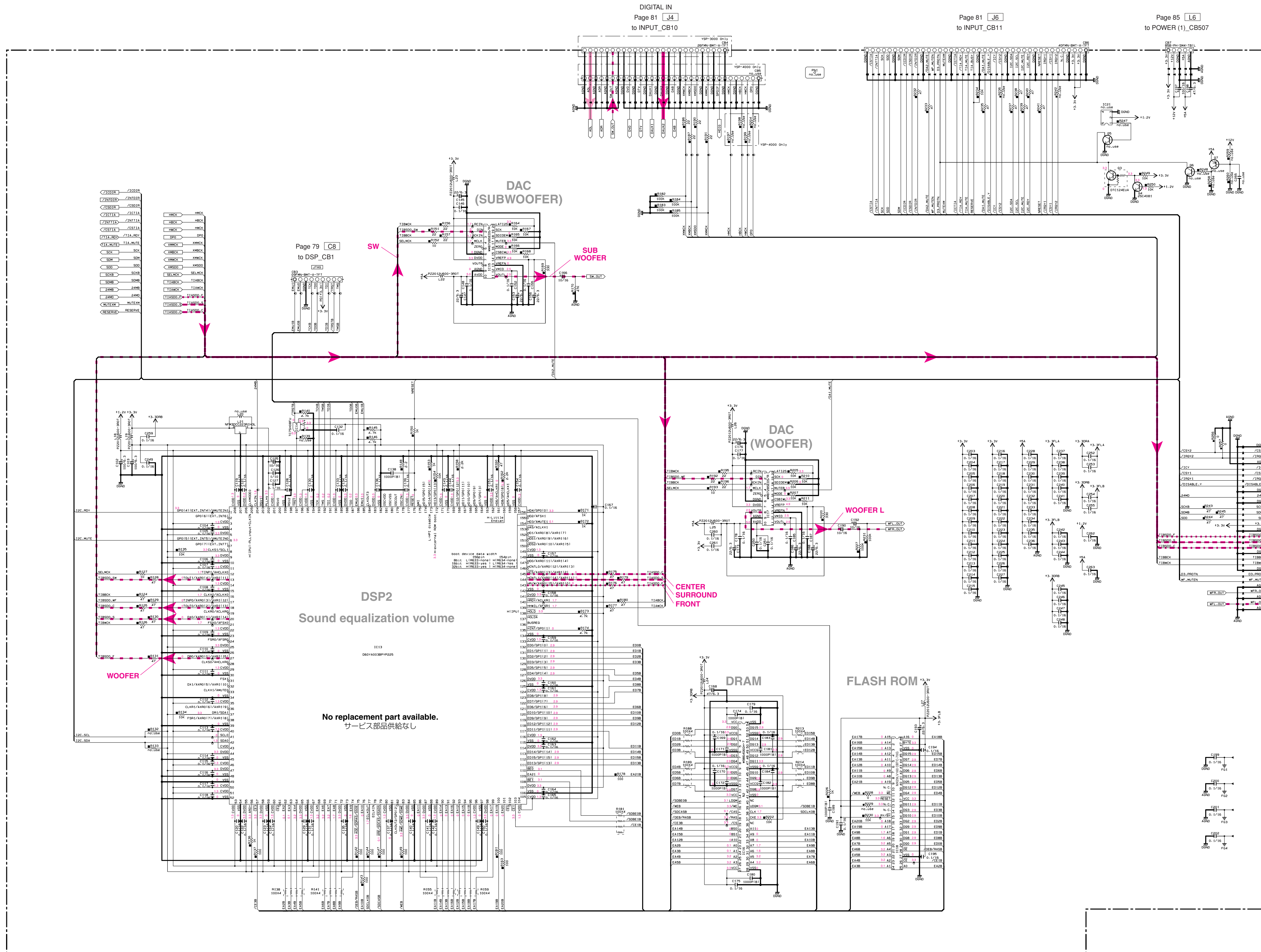
CAPACITOR

MARK	PARTS NAME
NO MARK	ELECTROLYTIC CAPACITOR
○	TANTALUM CAPACITOR
□	CERAMIC CAPACITOR
●	CERAMIC TUBULAR CAPACITOR
⊗	POLYESTER FILM CAPACITOR
○	POLYETHYLENE FILM CAPACITOR
⊕	MYLAR CAPACITOR
⊙	POLYPROPYLENE FILM CAPACITOR
■	SEMICONDUCTIVE CERAMIC CAPACITOR
⊖	POLYPHENYLENE SULFIDE FILM CAPACITOR



* All voltages are measured with a 10MΩ/V DC electronic voltmeter.
* Components having special characteristics are marked with a triangle and must be replaced with parts having specifications equal to those originally installed.
* Schematic diagram is subject to change without notice.

●電圧は、内部抵抗10MΩの電圧計で測定したものです。
●△印のある部品は、安全性確保部品を示しています。部品の交換が必要な場合、パーツリストに記載されている部品を使用してください。
●本回路図は標準回路図です。改良のため予告なく変更することがございます。



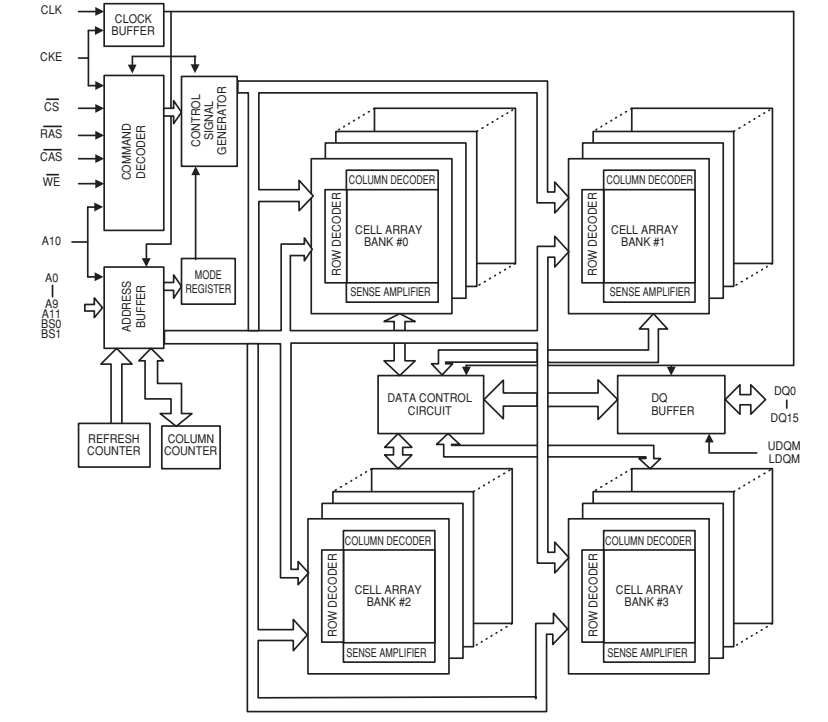
DIGITAL IN
Page 81 J4
to INPUT_CB10

Page 81 J6
to INPUT_CB11

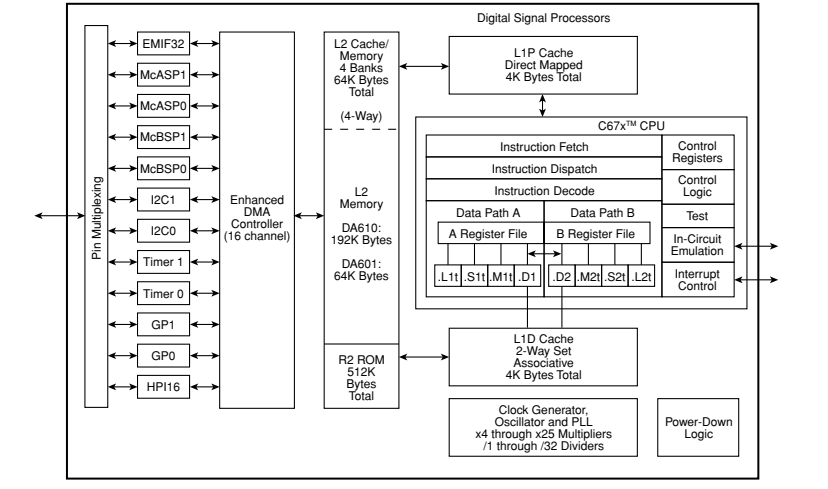
Page 85 L6
to POWER (1)_CB507

Page 79 CB
to DSP_CB1

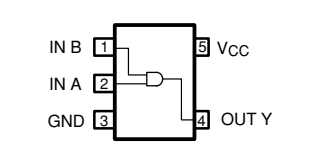
IC16: W9864G6GH-7
64 M x 4 banks SDRAM



IC13: D60YA003BPYP225
Decoder

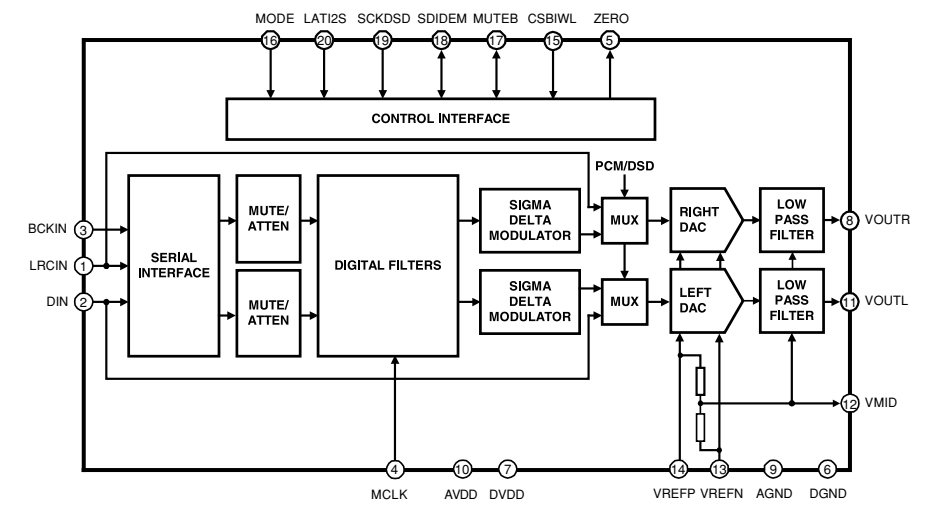


IC14: TC7SH08FU
2-input AND gate

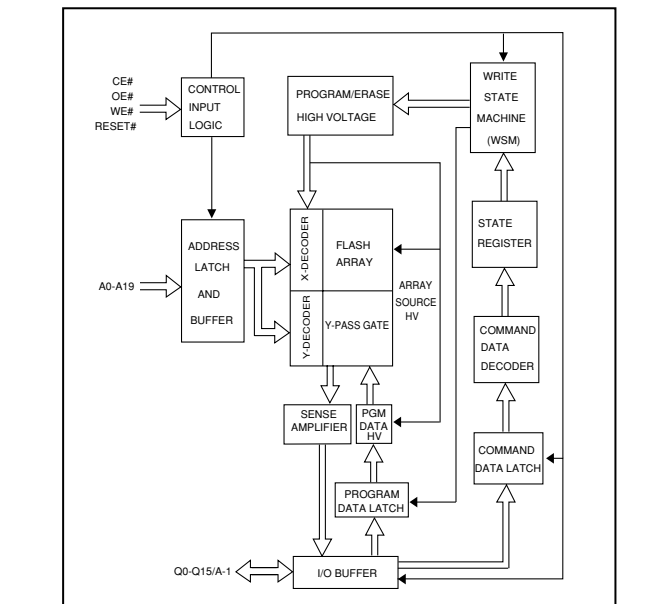


Page 83 A2
to AMP_CB501

IC15: 17: WM8728
24-bit, 192 kHz stereo DAC



IC18: MX29LV160CBTC-70G
16M-bit CMOS single voltage 3V only flash memory



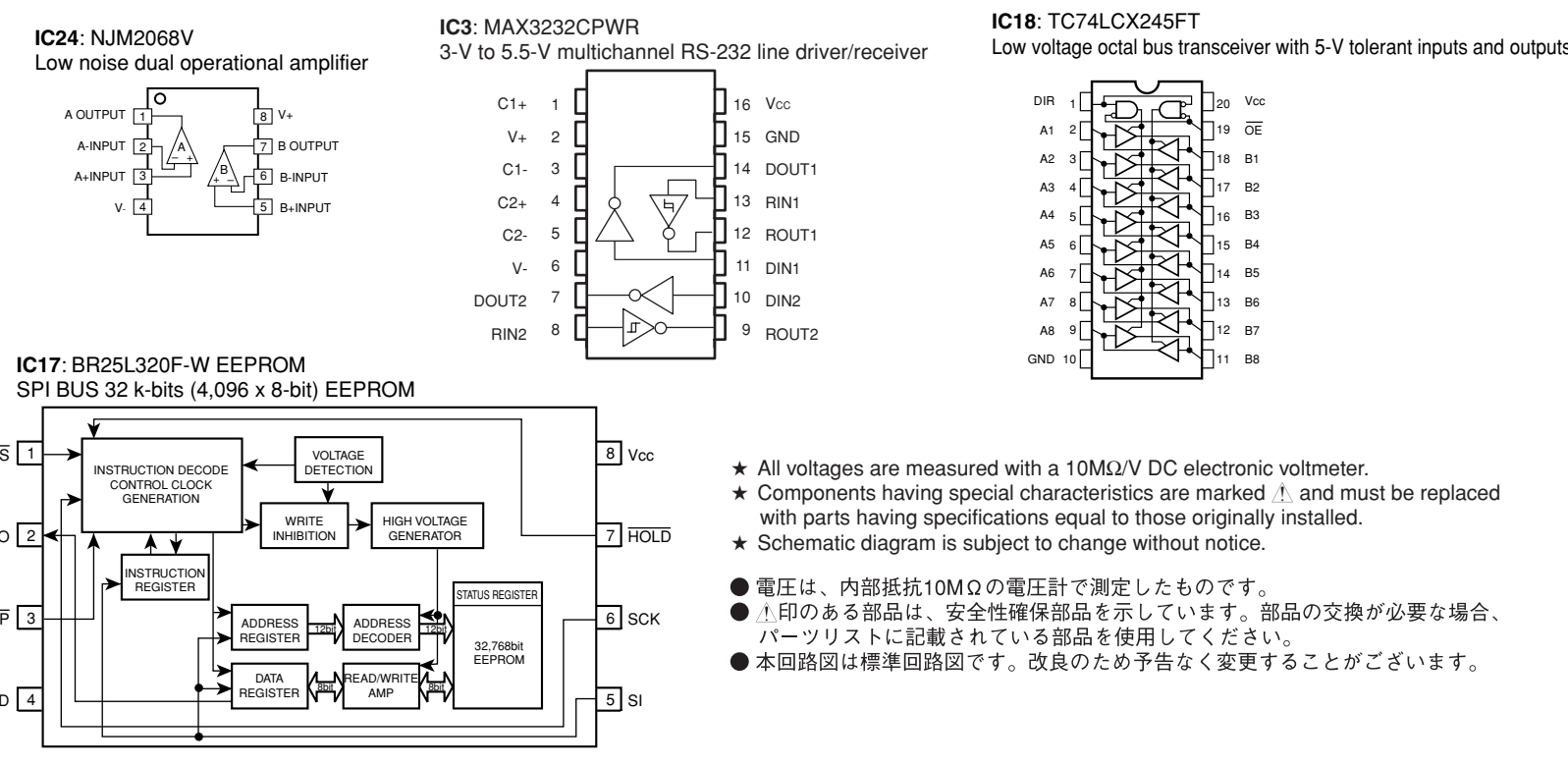
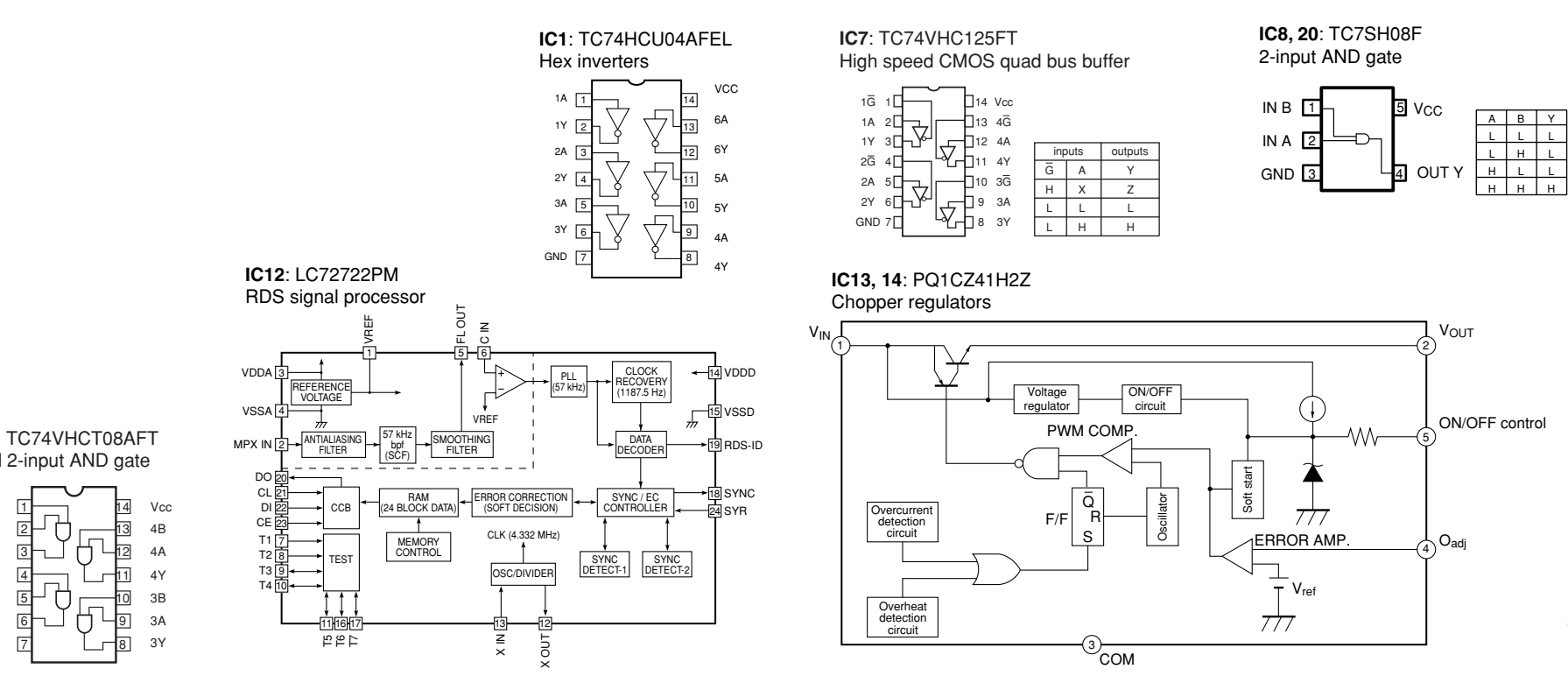
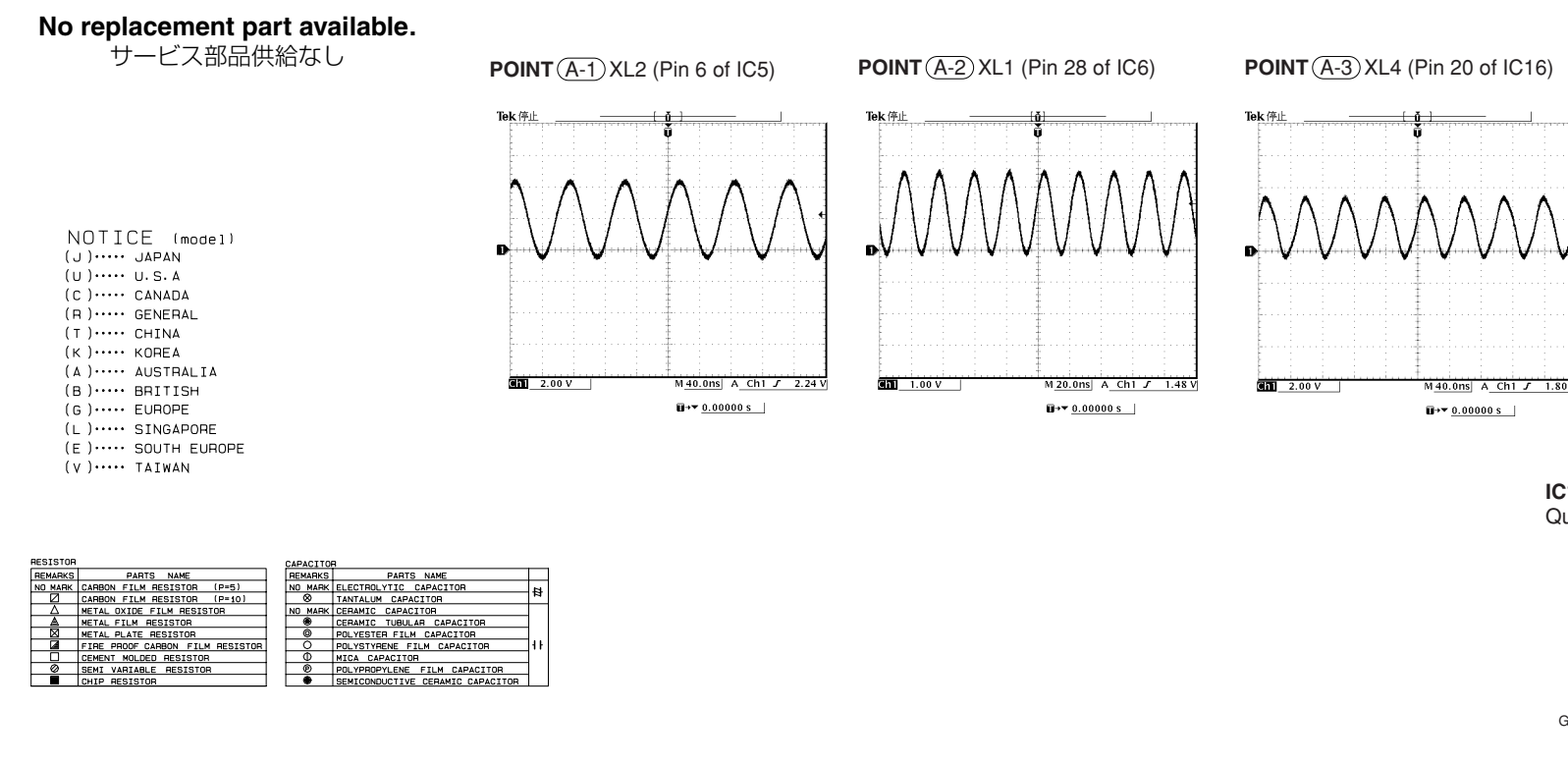
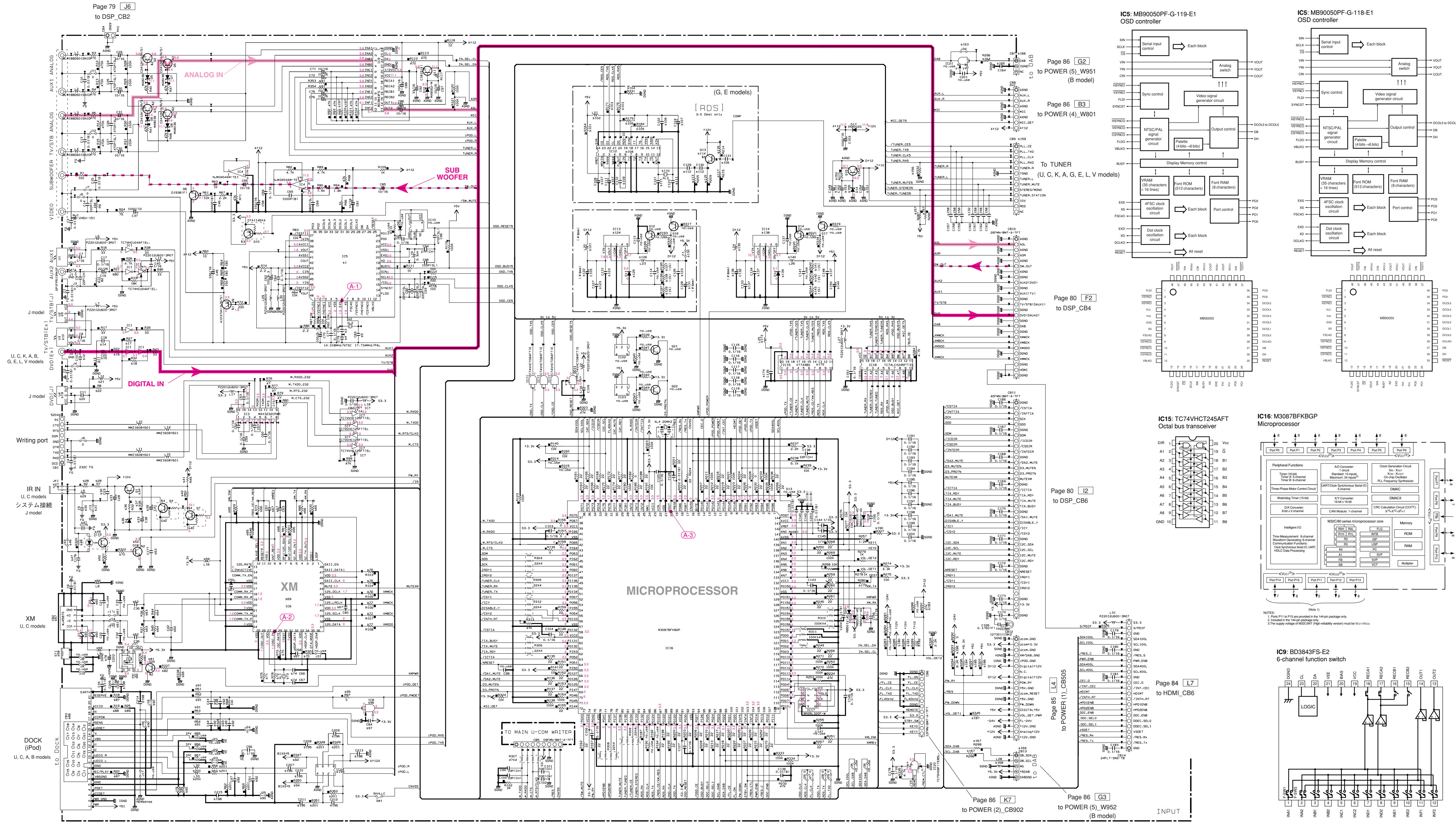
NOTICE (model)

- (J) JAPAN
- (U) U.S.A
- (C) CANADA
- (R) GENERAL
- (T) CHINA
- (K) KOREA
- (A) AUSTRALIA
- (B) BRITISH
- (G) EUROPE
- (L) SINGAPORE
- (E) SOUTH EUROPE
- (V) TAIWAN

★ All voltages are measured with a 10MΩ/V DC electronic voltmeter.
 ★ Components having special characteristics are marked with a triangle (▲) and must be replaced with parts having specifications equal to those originally installed.
 ★ Schematic diagram is subject to change without notice.

● 電圧は、内部抵抗10MΩの電圧計で測定したものです。
 ● 印のある部品は、安全性確保部品を示しています。部品の交換が必要な場合、パーツリストに記載されている部品を使用してください。
 ● 本回路図は標準回路図です。改良のため予告なく変更することがございます。

INPUT 1/2



● All voltages are measured with a 10MΩ/V DC electronic voltmeter.
● Components having special characteristics are marked with a triangle (▲) and must be replaced with parts having specifications equal to those originally installed.
● Schematic diagram is subject to change without notice.

● 電圧は、内部抵抗10MΩの電圧計で測定したものです。
● ▲印のある部品は、安全確保部品を示しています。部品の交換が必要な場合、パーツリストに記載されている部品を使用してください。
● 本回路図は標準回路図です。改良のため予告なく変更することがございます。

INPUT 2/2

Destination Part List										Destination Part List										Destination Part List										Destination Part List									
sxx	LOC	J	UC	KV	A	B	GE	L	HTY-7030 GE	sxx	LOC	J	UC	KV	A	B	GE	L	HTY-7030 GE	sxx	LOC	J	UC	KV	A	B	GE	L	HTY-7030 GE	sxx	LOC	J	UC	KV	A	B	GE	L	HTY-7030 GE
s1	IC5	X	X	X	X	X	X	X	X	s86	CB3	X	X	X	X	X	X	X	X	s136	L24	X	X	X	X	X	X	X	X	s140	D17	X	X	X	X	X	X	X	X

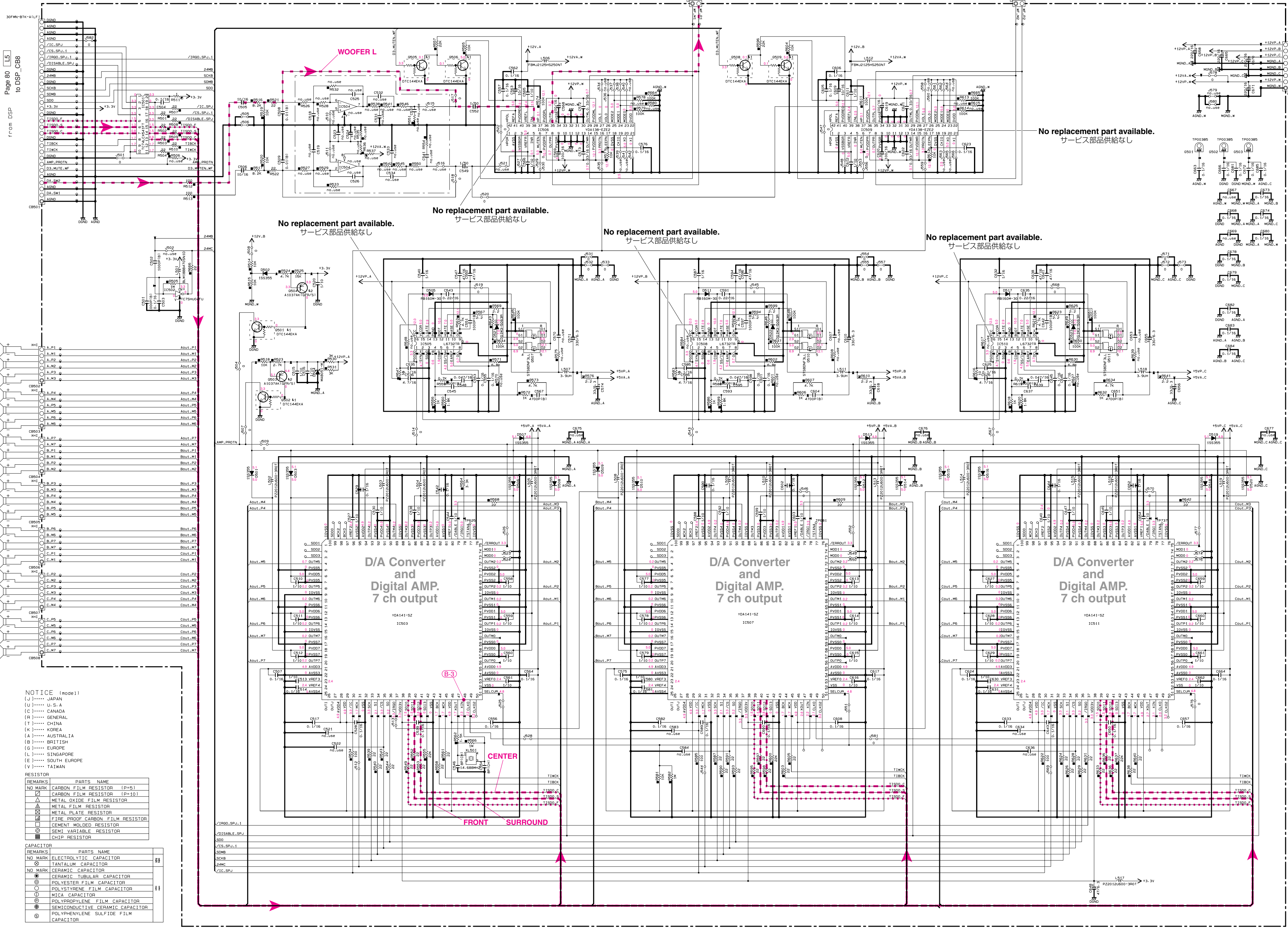
Mark	Reference Parts Number	Parts Name
k1	09	2SA1037K(G/R/S) 2SA1235A(E/F)
k2	02-3-5-6-20	2SC241K(G/R/S) 2S0601R/L(L/R/S)
k3	010	DTA114EXA
k4	04-7	KRC104S-RTK/P
k5	013	2SC1740S(L/R/S) 2SC331A(L/G/R/S)

NOTICE (mode1)
 (J)..... JAPAN
 (U)..... U.S.A
 (C)..... CANADA
 (E)..... GENERAL
 (T)..... CHINA
 (K)..... KOREA
 (A)..... AUSTRALIA
 (B)..... BRITISH
 (G)..... EUROPE
 (L)..... SINGAPORE
 (S)..... SOUTH EUROPE
 (V)..... TAIWAN

★ All voltages are measured with a 10MΩ/V DC electronic voltmeter.
 ★ Components having special characteristics are marked with a triangle and must be replaced with parts having specifications equal to those originally installed.
 ★ Schematic diagram is subject to change without notice.
 ●電圧は、内部抵抗10MΩの電圧計で測定したものです。
 ●△印のある部品は、安全性確保部品を示しています。部品の交換が必要な場合、パーツリストに記載されている部品を使用してください。
 ●本回路図は標準回路図です。改良のため予告なく変更することがございます。

AMP

1
2
3
4
5
6
7
8
9
10



NOTICE (model)

[J]..... JAPAN
[U]..... U.S.A
[C]..... CANADA
[R]..... GENERAL
[T]..... CHINA
[K]..... KOREA
[A]..... AUSTRALIA
[B]..... BRITISH
[G]..... EUROPE
[S]..... SINGAPORE
[E]..... SOUTH EUROPE
[V]..... TAIWAN

RESISTOR

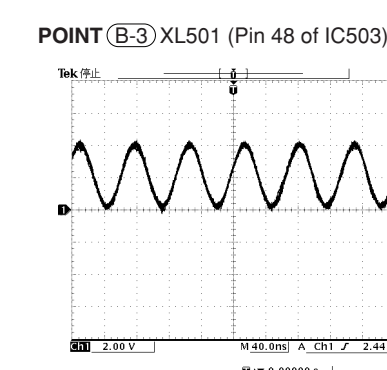
REMARKS	PARTS NAME
NO MARK	CARBON FILM RESISTOR (P=5)
□	CARBON FILM RESISTOR (P=10)
△	METAL OXIDE FILM RESISTOR
▲	METAL FILM RESISTOR
◇	METAL PLATE RESISTOR
○	FINE DRUMP CARBON FILM RESISTOR
□	CEMENT MOLDED RESISTOR
⊕	SEMI-VARIABLE RESISTOR
⊙	CHIP RESISTOR

CAPACITOR

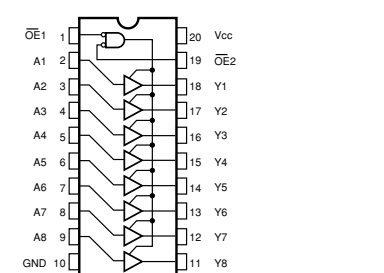
REMARKS	PARTS NAME
NO MARK	ELECTROLYTIC CAPACITOR
○	TANTALUM CAPACITOR
NO MARK	CERAMIC CAPACITOR
⊙	CERAMIC TUBULAR CAPACITOR
⊖	POLYESTER FILM CAPACITOR
○	POLYSTYRENE FILM CAPACITOR
⊖	MICA CAPACITOR
⊖	POLYPROPYLENE FILM CAPACITOR
⊖	SILICON NITRIDE CERAMIC CAPACITOR
⊖	POLYPHENYLENE SULFIDE FILM CAPACITOR

Interchangeable Parts at Manufacture-Stage

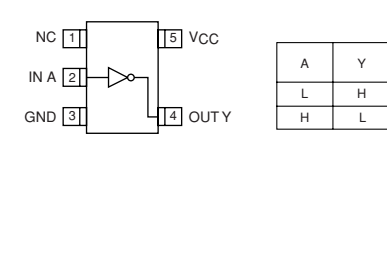
Mark	Reference Parts Number	Parts Name
41	9501-502-505-506-508-509	OTC144EXA HIC104S-RTK/P
42	9503-504	25410374K1R/S1 25412954E/P 25410424K-1B-RTK/P



IC501: TC74LX541FT Low voltage octal bus buffer with 5-V tolerant inputs and outputs

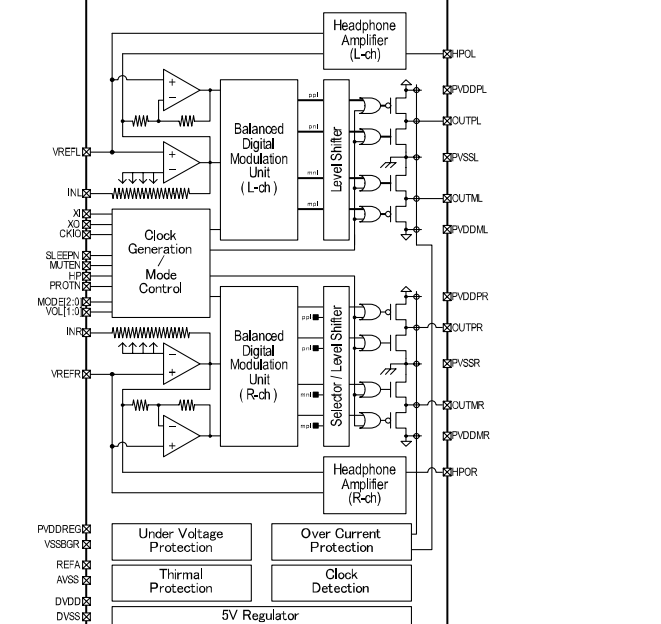


IC502: TC7SHU04FU Inverter

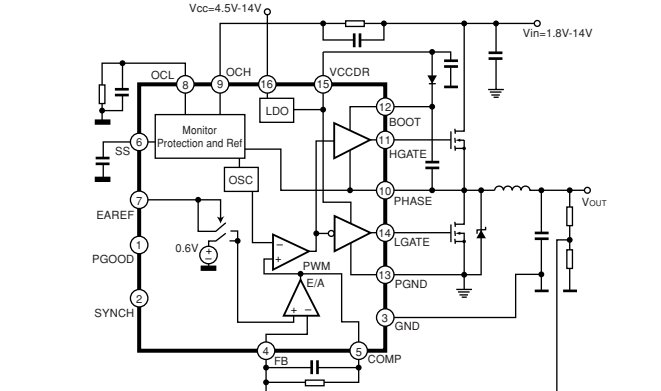


Page 85 [L3] to POWER (1), CB504

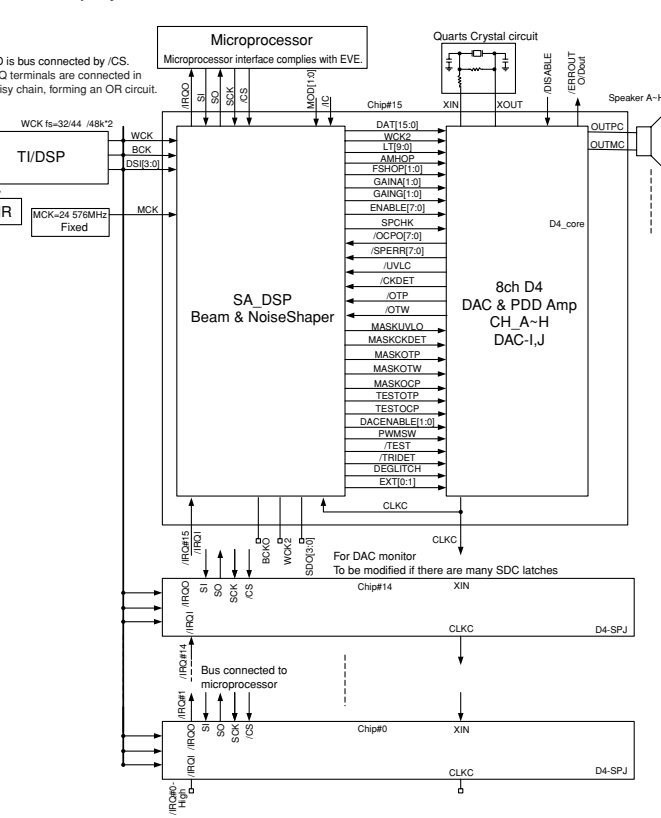
IC506, 509: YDA138-EZE-2 Digital audio power amplifier



IC505, 508, 510: L6732TR Adjustable step-down controller with synchronous rectification

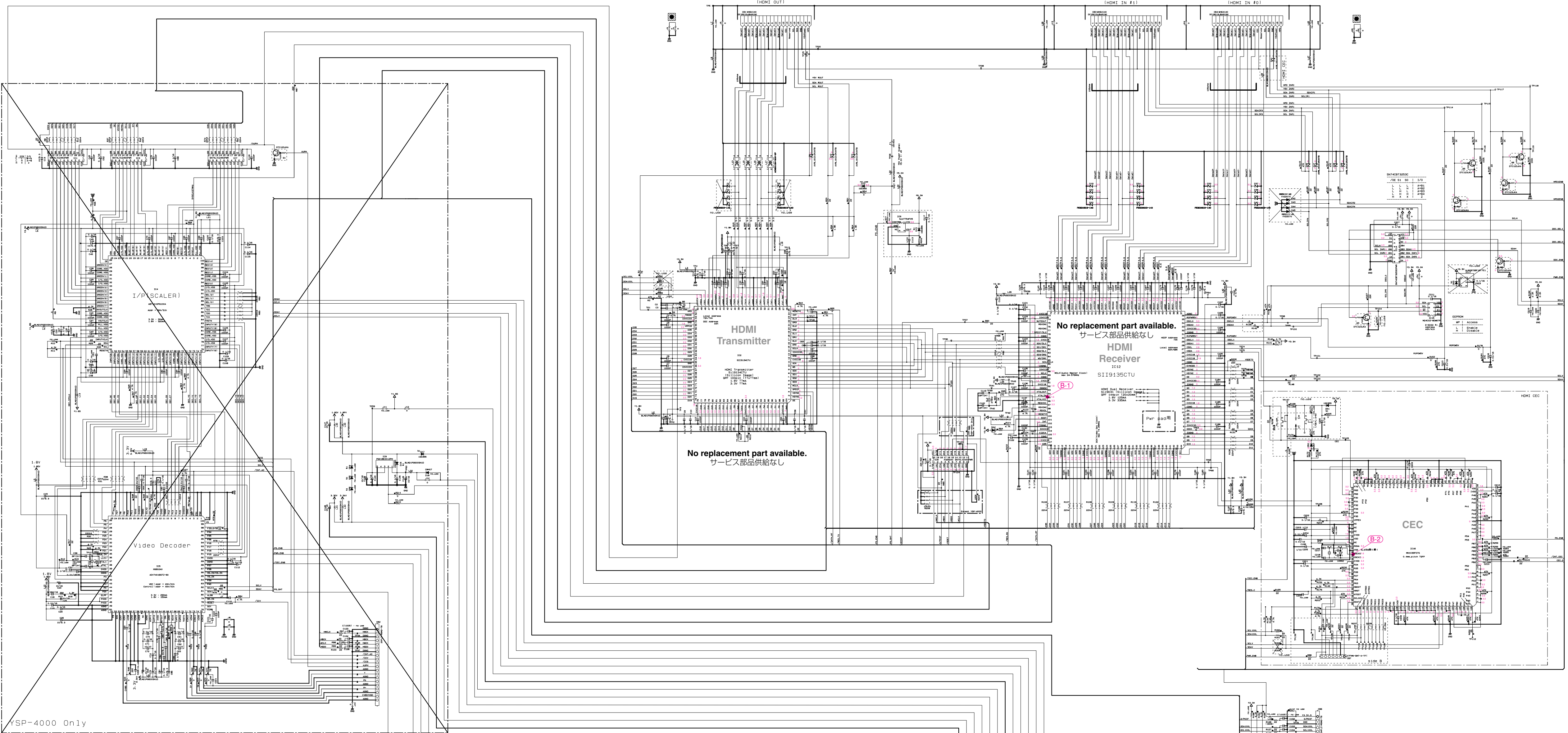


IC503, 507, 511: YDA141-SZ Sound projector



- * All voltages are measured with a 10MΩ/V DC electronic voltmeter.
- * Components having special characteristics are marked with a triangle (▲) and must be replaced with parts having specifications equal to those originally installed.
- * Schematic diagram is subject to change without notice.
- 電圧は、内部抵抗10MΩの電圧計で測定したものです。
- ▲印のある部品は、安全性確保部品を示しています。部品の交換が必要な場合、パーツリストに記載されている部品を使用してください。
- 本回路図は標準回路図です。改良のため予告なく変更することがございます。

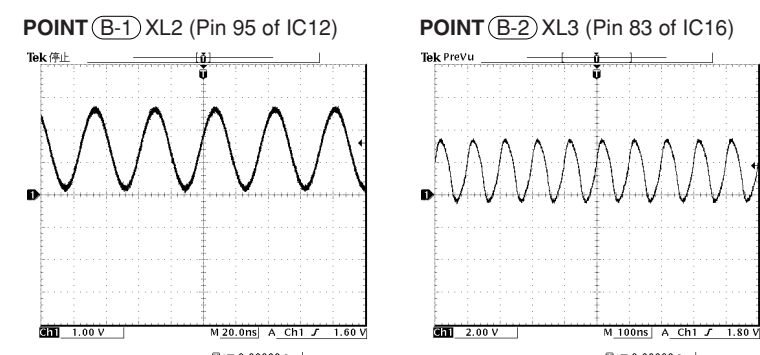
HDMI



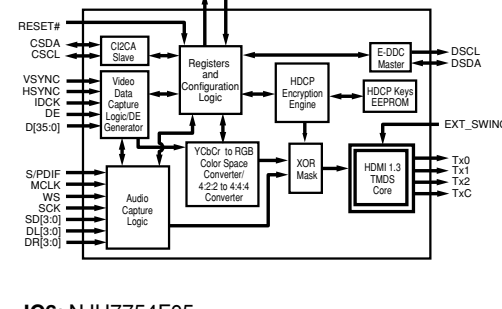
YSP-4000 Only

No replacement part available. サービス部品供給なし. HDMI Receiver IC12 S119135CTU

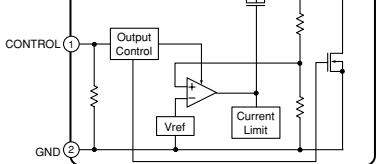
No replacement part available. サービス部品供給なし. HDMI Transmitter



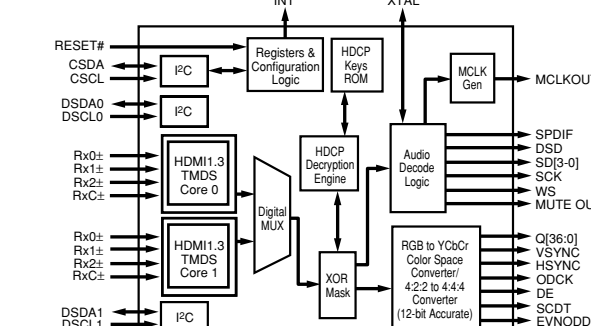
IC2: S19134CTU HDMI transmitter



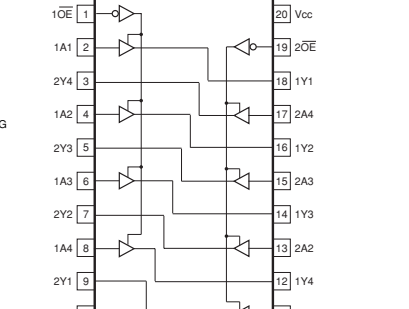
IC6: NJU7754F05 Low dropout voltage regulator



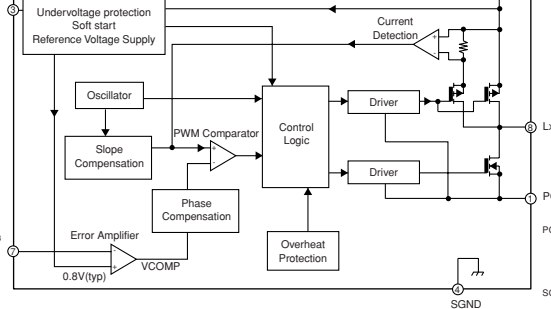
IC12: S119135CTU HDMI receiver



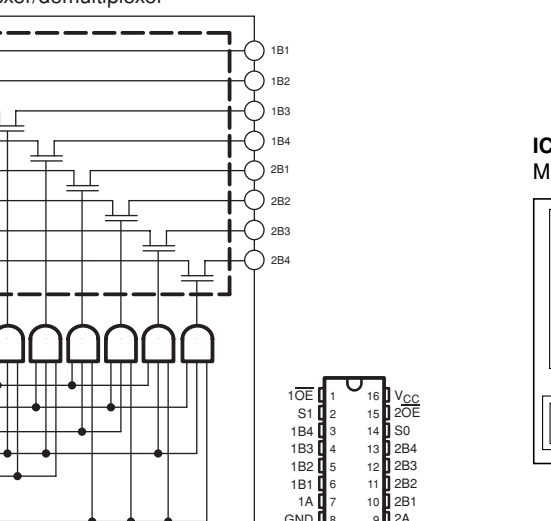
IC8: SN74LV244APWR Octal buffers/drivers with 3-state outputs



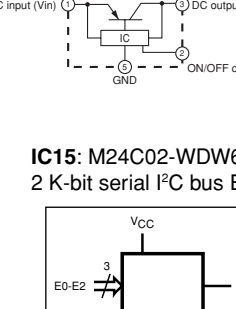
IC10: TB7102F Step-down DC-DC converter IC



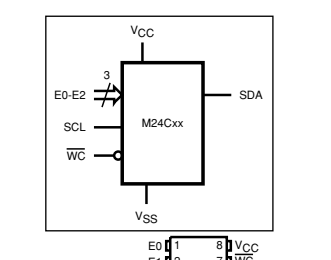
IC14: SN74CBT3253CPWR Dual 1-of-4 fet multiplexer/demultiplexer



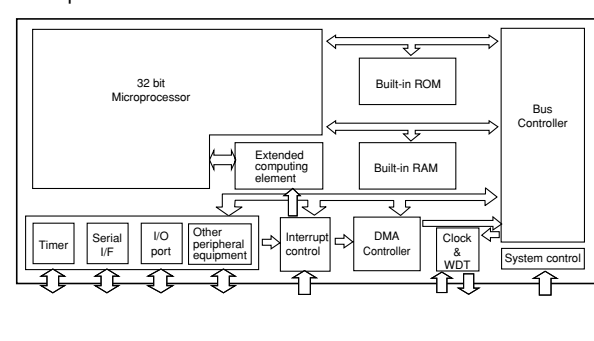
IC11: PQ033EZ012P Voltage regulator



IC15: M24C02-WDW6TP 2-K-bit serial I2C bus EEPROM



IC16: MN103SFD7G Microprocessor



- ★ All voltages are measured with a 10MΩ/V DC electronic voltmeter.
- ★ Components having special characteristics are marked !, and must be replaced with parts having specifications equal to those originally installed.
- ★ Schematic diagram is subject to change without notice.

- 電圧は、内部抵抗10MΩの電圧計で測定したものです。
- !印のある部品は、安全性確保部品を示しています。部品の交換が必要な場合、パーツリストに記載されている部品を使用してください。
- 本回路図は標準回路図です。改良のため予告なく変更することがございます。

Page 81 [K7] to INPUT_CB14

Page 85 [L7] to POWER (1)_CB508

RESISTOR	POSITION	PARTS NAME	CAPACITOR	POSITION	PARTS NAME
R1	10	RESISTOR	C1	10	CAPACITOR
R2	11	RESISTOR	C2	11	CAPACITOR
R3	12	RESISTOR	C3	12	CAPACITOR
R4	13	RESISTOR	C4	13	CAPACITOR
R5	14	RESISTOR	C5	14	CAPACITOR
R6	15	RESISTOR	C6	15	CAPACITOR
R7	16	RESISTOR	C7	16	CAPACITOR
R8	17	RESISTOR	C8	17	CAPACITOR
R9	18	RESISTOR	C9	18	CAPACITOR
R10	19	RESISTOR	C10	19	CAPACITOR
R11	20	RESISTOR	C11	20	CAPACITOR
R12	21	RESISTOR	C12	21	CAPACITOR
R13	22	RESISTOR	C13	22	CAPACITOR
R14	23	RESISTOR	C14	23	CAPACITOR
R15	24	RESISTOR	C15	24	CAPACITOR
R16	25	RESISTOR	C16	25	CAPACITOR
R17	26	RESISTOR	C17	26	CAPACITOR
R18	27	RESISTOR	C18	27	CAPACITOR
R19	28	RESISTOR	C19	28	CAPACITOR
R20	29	RESISTOR	C20	29	CAPACITOR
R21	30	RESISTOR	C21	30	CAPACITOR
R22	31	RESISTOR	C22	31	CAPACITOR
R23	32	RESISTOR	C23	32	CAPACITOR
R24	33	RESISTOR	C24	33	CAPACITOR
R25	34	RESISTOR	C25	34	CAPACITOR
R26	35	RESISTOR	C26	35	CAPACITOR
R27	36	RESISTOR	C27	36	CAPACITOR
R28	37	RESISTOR	C28	37	CAPACITOR
R29	38	RESISTOR	C29	38	CAPACITOR
R30	39	RESISTOR	C30	39	CAPACITOR

IC	POSITION	PARTS NAME
IC1	10	IC1
IC2	11	IC2
IC3	12	IC3
IC4	13	IC4
IC5	14	IC5
IC6	15	IC6
IC7	16	IC7
IC8	17	IC8
IC9	18	IC9
IC10	19	IC10
IC11	20	IC11
IC12	21	IC12
IC13	22	IC13
IC14	23	IC14
IC15	24	IC15
IC16	25	IC16

DIODE	POSITION	PARTS NAME
D1	10	DIODE
D2	11	DIODE
D3	12	DIODE
D4	13	DIODE
D5	14	DIODE
D6	15	DIODE
D7	16	DIODE
D8	17	DIODE
D9	18	DIODE
D10	19	DIODE
D11	20	DIODE
D12	21	DIODE
D13	22	DIODE
D14	23	DIODE
D15	24	DIODE
D16	25	DIODE

TRANSISTOR	POSITION	PARTS NAME
Q1	10	TRANSISTOR
Q2	11	TRANSISTOR
Q3	12	TRANSISTOR
Q4	13	TRANSISTOR
Q5	14	TRANSISTOR
Q6	15	TRANSISTOR
Q7	16	TRANSISTOR
Q8	17	TRANSISTOR
Q9	18	TRANSISTOR
Q10	19	TRANSISTOR
Q11	20	TRANSISTOR
Q12	21	TRANSISTOR
Q13	22	TRANSISTOR
Q14	23	TRANSISTOR
Q15	24	TRANSISTOR
Q16	25	TRANSISTOR

POWER 1/2

Safety measures

- Some internal parts in this product contain high voltages and are dangerous. Be sure to take safety measures during servicing, such as wearing insulating gloves.
- Note that positions indicated below are dangerous even after the power is turned off because an electric charge remains and a high voltage continues to exist there. Before starting any repair work, perform discharge by connecting a discharge resistor (5k-ohms/10W) between terminals at following positions. The time required for discharging is about 30 seconds.
- 1. C504/C505 on POWER (1) P.C.B.
- 2. C518 on POWER (1) P.C.B.

安全対策

- この製品の内部には高電圧部分があり危険です。修理の際は、絶縁性の手袋を使用するなどの安全対策を行ってください。
- 下記箇所には電源をOFFにした後も電荷が残り、高電圧が維持されており危険です。修理作業前に放電用抵抗(5kΩ/10W)を下記箇所の端子間に接続して放電してください。放電所用時間は約30秒間です。
- 1. POWER (1) P.C.B.のC504/C505
- 2. POWER (1) P.C.B.のC518

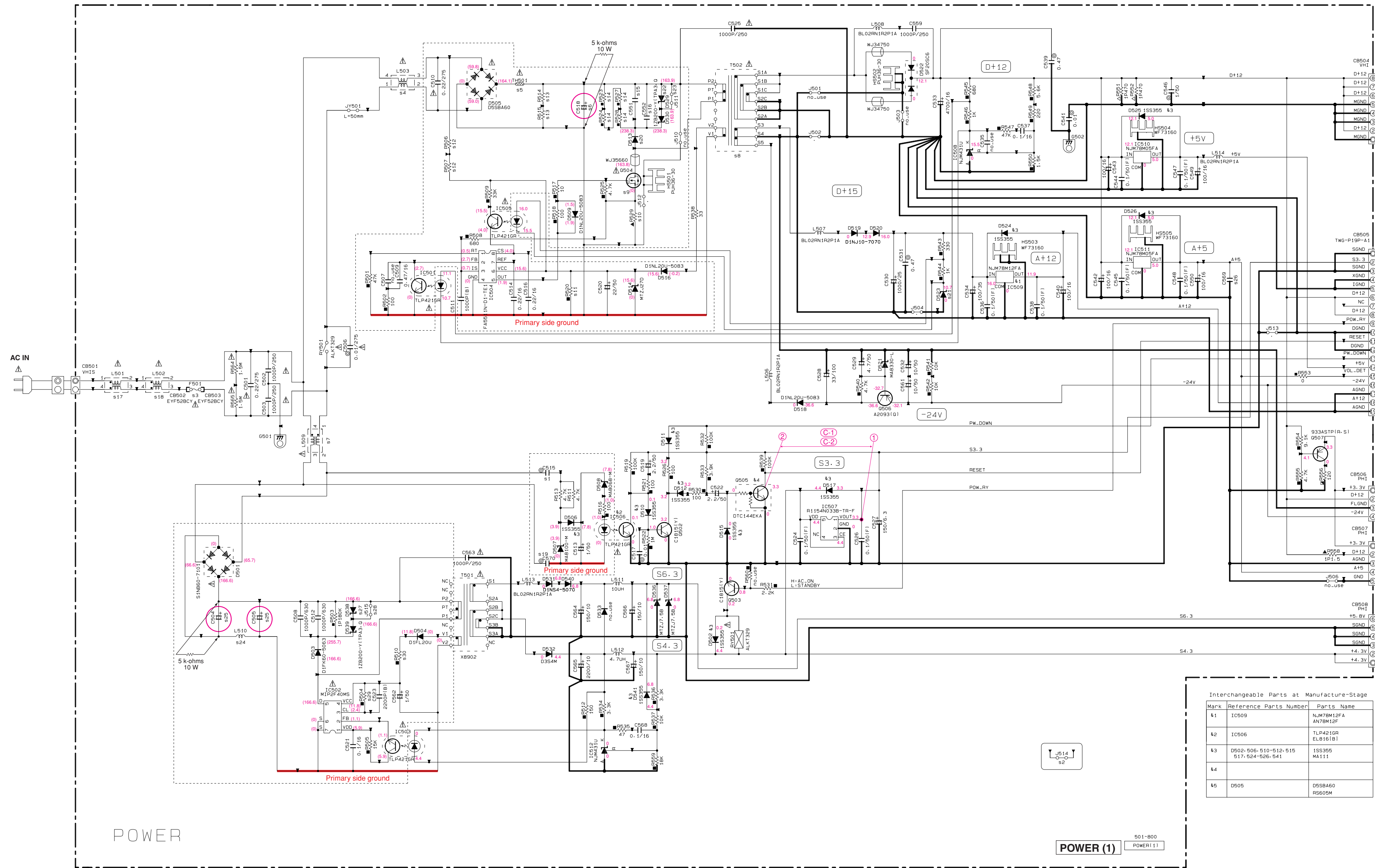
NOTICE (model)

- (J)..... JAPAN
- (U)..... U.S.A
- (C)..... CANADA
- (R)..... GENERAL
- (T)..... CHINA
- (K)..... KOREA
- (A)..... AUSTRALIA
- (B)..... BRITISH
- (G)..... EUROPE
- (L)..... SINGAPORE
- (E)..... SOUTH EUROPE
- (V)..... TAIWAN

REMARKS	PARTS NAME
□	CARBON FILM RESISTOR (P=5)
□	CARBON FILM RESISTOR (P=10)
△	METAL OXIDE FILM RESISTOR
□	METAL FILM RESISTOR
□	METAL PLATE RESISTOR
□	FIRE-PROOF CARBON FILM RESISTOR
□	CEMENT MOLDED RESISTOR
□	SEMI VARIABLE RESISTOR
□	CHIP RESISTOR

REMARKS	PARTS NAME
□	ELECTROLYTIC CAPACITOR
⊗	TANTALUM CAPACITOR
□	CERAMIC CAPACITOR
○	CERAMIC TUBULAR CAPACITOR
○	POLYESTER FILM CAPACITOR
○	POLYSTYRENE FILM CAPACITOR
○	MICA CAPACITOR
○	POLYPROPYLENE FILM CAPACITOR
○	SEMICONDUCTIVE CERAMIC CAPACITOR
○	POLYPHENYLENE SULFIDE FILM CAPACITOR

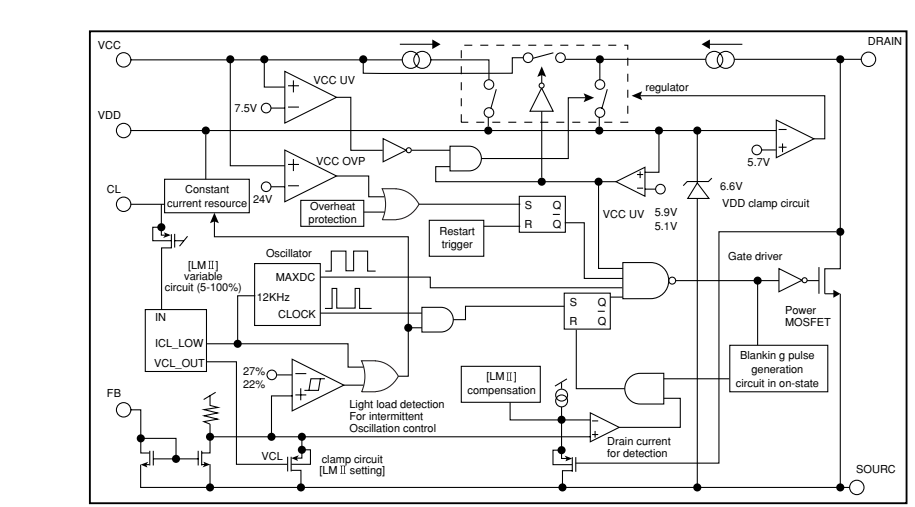
NO	YSP-3000R		YSP-30D/L		HTY-7030M	
	J	UCV	KAGLE	B	GE	GE
91	C515	0.047/400 W888710	0.047/400 W888710	0.032/800 W04150	0.032/800 W04150	0.032/800 W04150
92	J514	×	×	0	0	0
93	F001	4A/125V W41030	4A/125V W41030	T2AL250V W800075	T2AL250V W800075	T2AL250V W800075
94	L003	7mH W52830	7mH W52830	43mH W11070	43mH W11070	43mH W11070
95	TH001	S.10 W54460	S.10 W54460	10D W12900	10D W12900	10D W12900
96	C518	R20/200 W41150	R20/200 W41150	R20/400 W41150	R20/400 W41150	R20/400 W41150
97	L009	13mH W58630	13mH W58630	36mH W58640	36mH W58640	36mH W58640
98	T502	X7791	X7791	X7855	X7855	X7855
99	0504	25K3683 W41250	25K3683 W41250	25K3679 W70330	25K3679 W70330	25K3679 W70330
100	R529	0.022Ω W94230	0.022Ω W94230	0.022Ω W94240	0.022Ω W94240	0.047Ω W94240
101	R520	270K RD35827	270K RD35827	560K RD35856	560K RD35856	560K RD35856
102	R506	68K HF45768	68K HF45768	150K HF45815	150K HF45815	150K HF45815
103	R514	120K HF45812	120K HF45812	270K HF45827	270K HF45827	270K HF45827
104	R523	198.2K W42540	198.2K W42540	1P33K W43540	1P33K W43540	1P33K W43540
105	C505	0.1/250 W33240	0.1/250 W33240	1000P/630 W33230	1000P/630 W33230	1000P/630 W33230
106	C502	×	×	1000P/630 W33230	1000P/630 W33230	1000P/630 W33230
107	L501	160μH W26690	160μH W26690	370μH W32330	370μH W32330	370μH W32330
108	L502	0.9mH W33350	0.9mH W33350	3.6mH W33450	3.6mH W33450	3.6mH W33450
109	C570	0.1/275 W05540	0.1/275 W05540	0.047/275 W00550	0.047/275 W00550	0.047/275 W00550
110	D513	D1FK60 W45930	D1FK60 W45930	ST1H10A W15190	ST1H10A W15190	ST1H10A W15190
111	D503	MAB180-H VU99800	MAB180-H VU99800	MAB220-L VU99860	MAB220-L VU99860	MAB220-L VU99860
112	D529	×	×	I2B200 W39750	I2B200 W39750	I2B200 W39750
113	J511	VN50000	VN50000	×	×	×
114	L510	150μH W50430	150μH W50430	470μH W50420	470μH W50420	470μH W50420
115	C504	22/200 W51310	22/200 W51310	10/400 W45650	10/400 W45650	10/400 W45650
116	C506	0.1μF U506510	×	×	×	×
117	D538	I2B200 W39750	I2B200 W39750	×	×	×
118	J515	×	×	VN50000	VN50000	VN50000
119	R504	300K RD35836	300K RD35836	300K RD35830	300K RD35830	300K RD35830
120	R510	33 RD35433	33 RD35433	56 RD35456	56 RD35456	56 RD35456



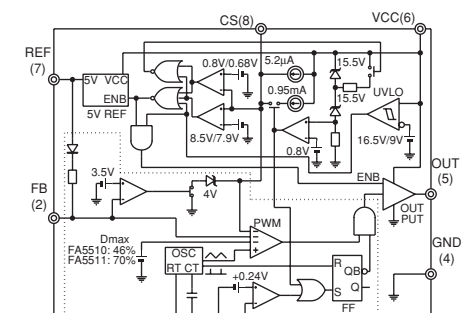
Interchangeable Parts at Manufacture-Stage

Mark	Reference Parts Number	Parts Name
41	IC509	NJM78M12FA AN78M12F
42	IC506	TLP421GR EL8161B1
43	D502-506-510-512-515 517-524-526-541	ISS395 MA111
44		
45	D505	D558A60 R559M

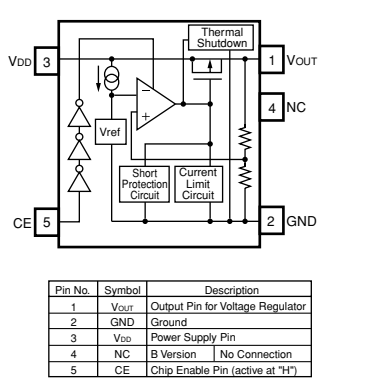
IC505: MIP2F40MSSCF For switching power supply control



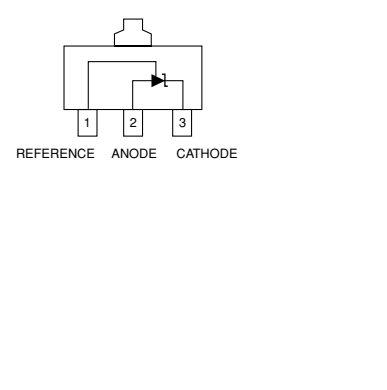
IC504: FA511N-D1-TE1 CMOS IC for switching power supply control



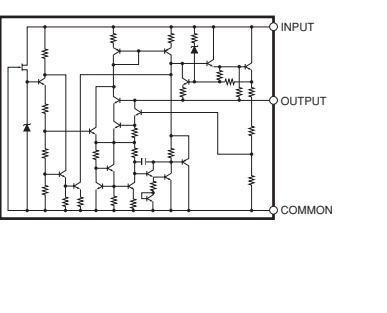
IC507: R1154N033B-TR-F Voltage regulator



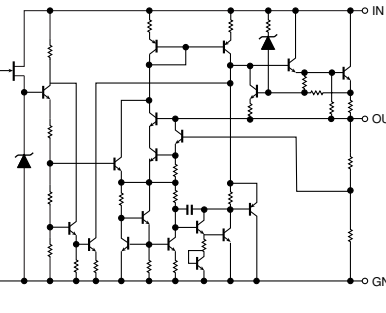
IC508, 512: NJM431U Adjustable precision shunt regulator



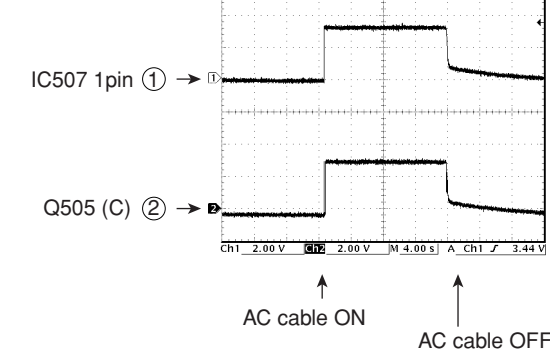
IC509: NJM78M12FA Voltage regulator



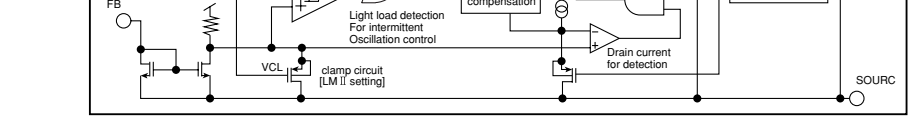
IC510, 511: NJM78M05FA 3-terminal positive voltage regulator



POINT (C-1), (C-2) Pin 1 of IC507, (C) Q505 (C)



IC505: MIP2F40MSSCF For switching power supply control



IC504: FA511N-D1-TE1 CMOS IC for switching power supply control



IC507: R1154N033B-TR-F Voltage regulator



IC508, 512: NJM431U Adjustable precision shunt regulator



IC509: NJM78M12FA Voltage regulator



IC510, 511: NJM78M05FA 3-terminal positive voltage regulator

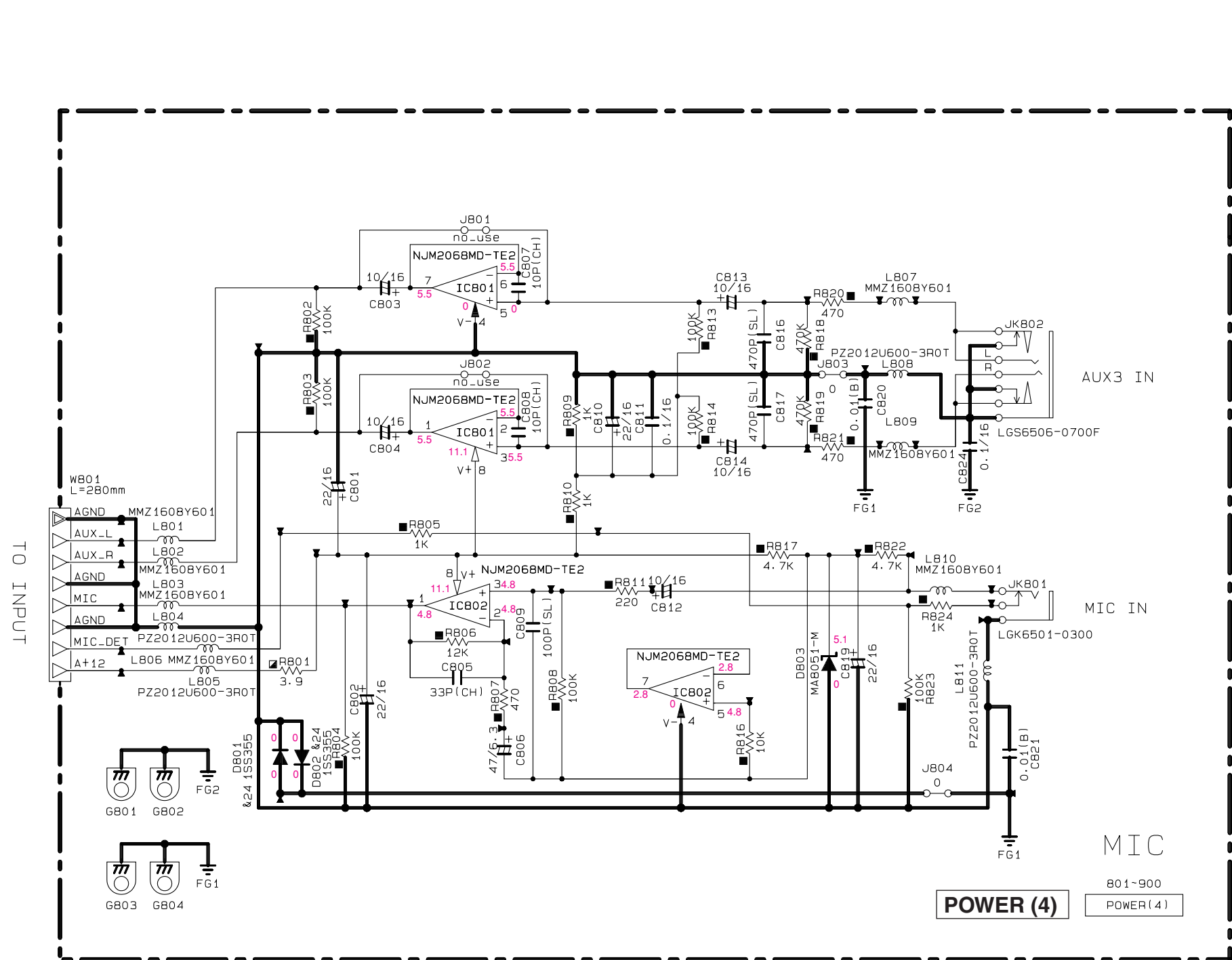


- All voltages are measured with a 10MΩ DC electronic voltmeter.
- Components having special characteristics are marked with a triangle and must be replaced with parts having specifications equal to those originally installed.
- Schematic diagram is subject to change without notice.

- 電圧は、内部抵抗10MΩの電圧計で測定したものです。
- △印のある部品は、安全性確保部品を示しています。部品の交換が必要な場合、パーツリストに記載されている部品を使用してください。
- 本回路図は標準回路図です。改良のため予告なく変更することがございます。

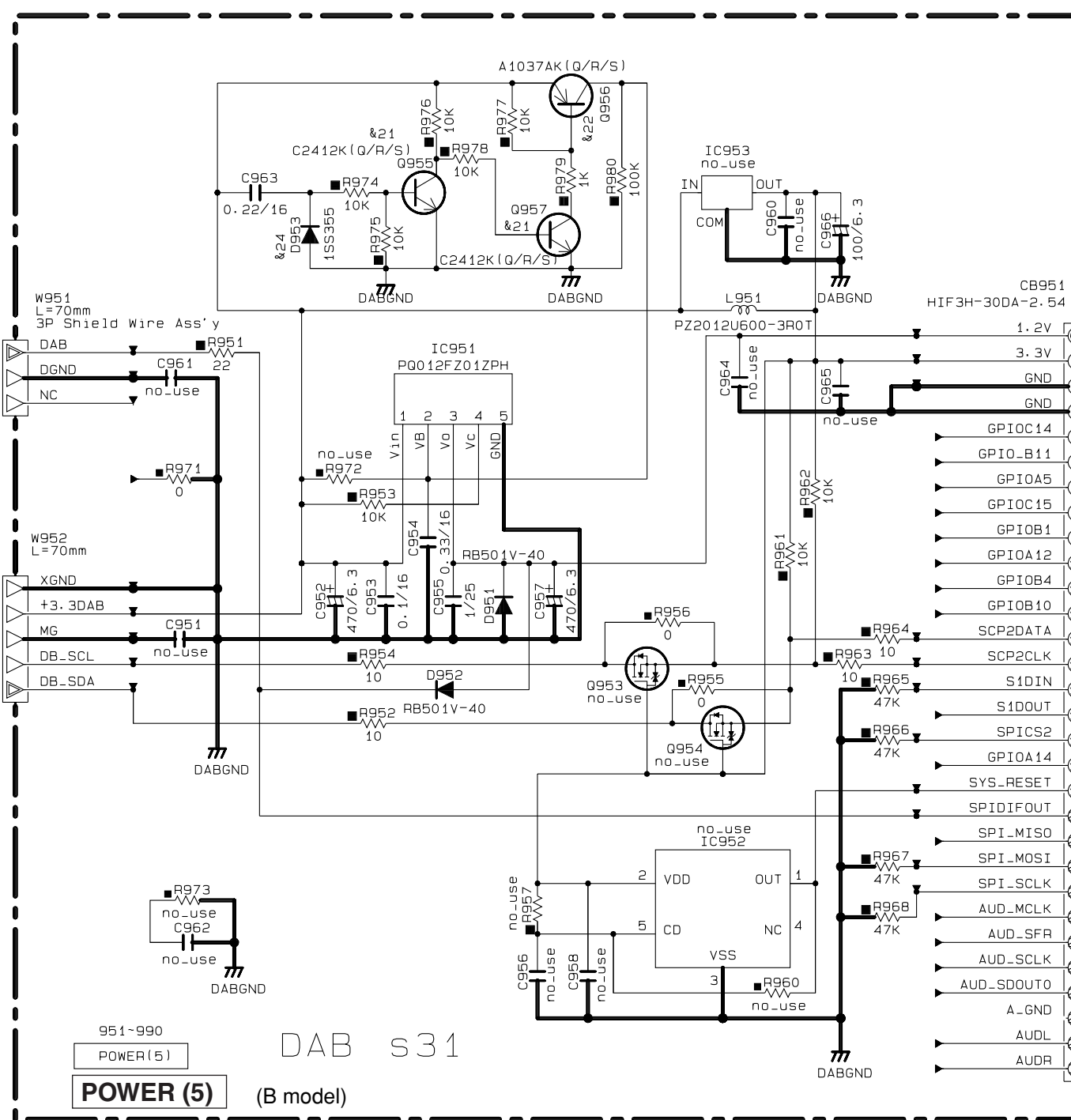
POWER 2/2

Page 81 J2 to INPUT_CB8



Page 81 J2 to INPUT_CB7

Page 81 J8 to INPUT_CB3



NOTICE (model)
 (J)..... JAPAN
 (U)..... U.S.A
 (C)..... CANADA
 (R)..... GENERAL
 (T)..... CHINA
 (K)..... KOREA
 (A)..... AUSTRALIA
 (B)..... BRITISH
 (G)..... EUROPE
 (L)..... SINGAPORE
 (E)..... SOUTH EUROPE
 (V)..... TAIWAN

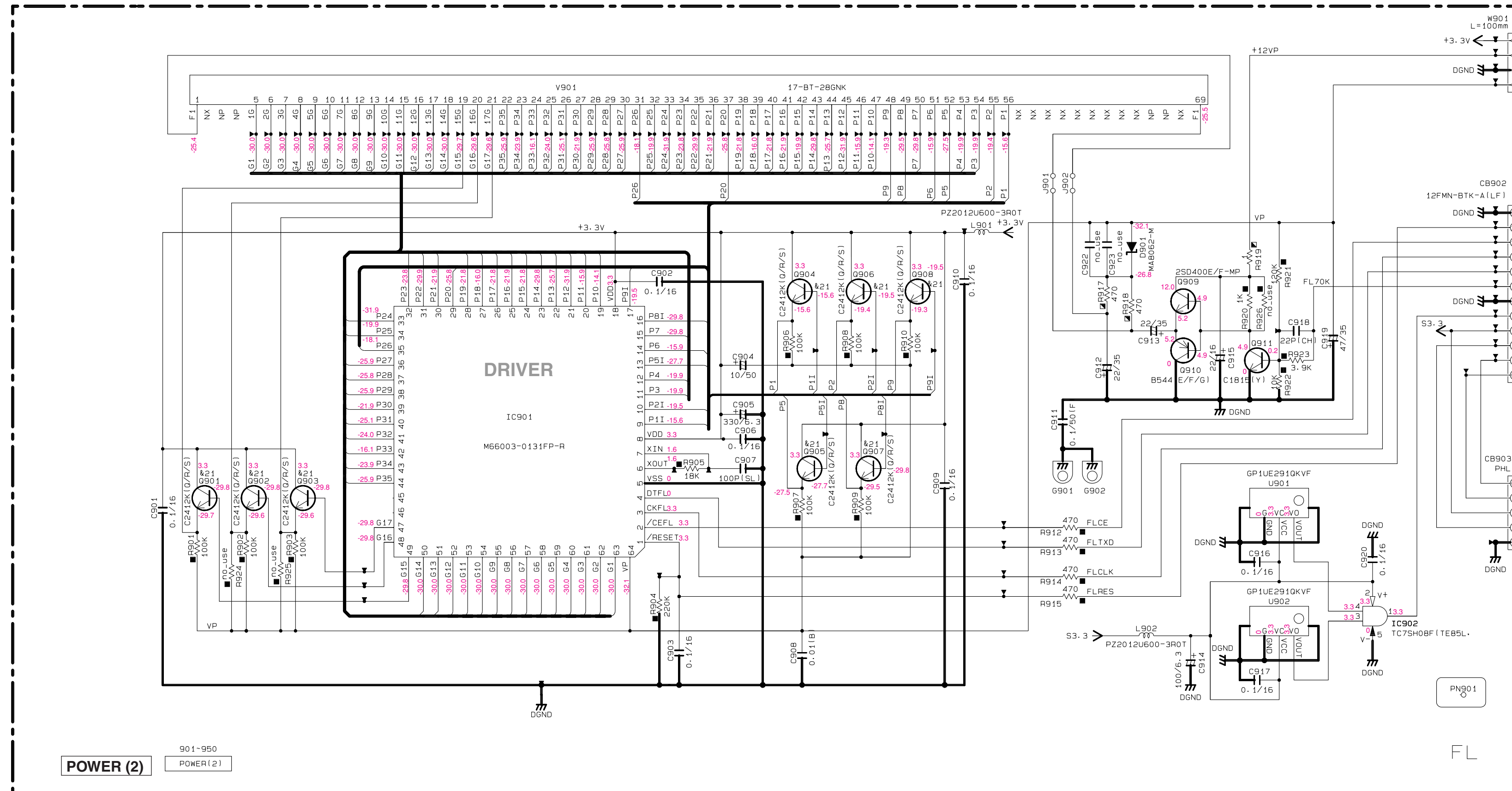
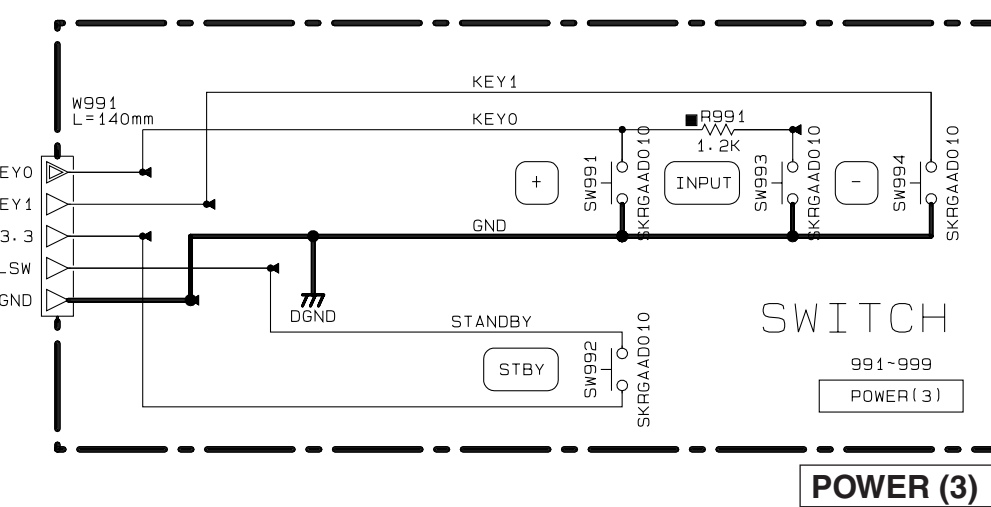
REMARKS	PARTS NAME
NO MARK	CARBON FILM RESISTOR (P=5)
□	CARBON FILM RESISTOR (P=10)
△	METAL OXIDE FILM RESISTOR
▲	METAL FILM RESISTOR
⊠	METAL PLATE RESISTOR
■	FIRE PROOF CARBON FILM RESISTOR
□	CEMENT MOLDED RESISTOR
○	SEMI VARIABLE RESISTOR
⊙	CHIP RESISTOR

REMARKS	PARTS NAME
NO MARK	ELECTROLYTIC CAPACITOR
⊗	TANTALUM CAPACITOR
NO MARK	CERAMIC CAPACITOR
●	CERAMIC TUBULAR CAPACITOR
⊙	POLYESTER FILM CAPACITOR
○	POLYSTYRENE FILM CAPACITOR
①	MICA CAPACITOR
⊙	POLYPROPYLENE FILM CAPACITOR
⊙	SEMICONDUCTIVE CERAMIC CAPACITOR

Interchangeable Parts at Manufacture-Stage

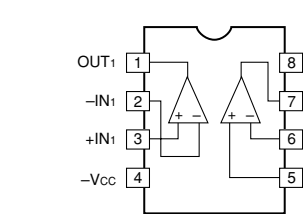
Mark	Reference Parts Number	Parts Name
⋄21	0901-908-955-957	25C2412K10/R/S1 25D0601ARL/AQL10/R/S1
⋄22	0956	2SA1037AK10/R/S1 2SA1235AE/F1 KTA1504S-Y
⋄23		
⋄24	0801-802-953	15S355 M4111

	YSP-3000ML	YSP-30DML	HTY-7030ML
s31	(DAB) X	X	X

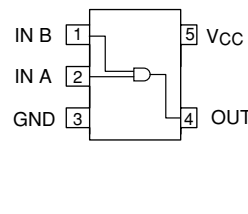


★ All voltages are measured with a 10MΩ/V DC electronic voltmeter.
 ★ Components having special characteristics are marked with a triangle (▲) and must be replaced with parts having specifications equal to those originally installed.
 ★ Schematic diagram is subject to change without notice.
 ● 電圧は、内部抵抗10MΩの電圧計で測定したものです。
 ● 1印のある部品は、安全性確保部品を示しています。部品の交換が必要な場合、パーツリストに記載されている部品を使用してください。
 ● 本回路図は標準回路図です。改良のため予告なく変更することがございます。

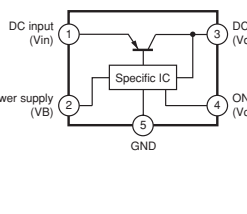
IC801, 802: NJM2068MD-TE2
Dual operational amplifier



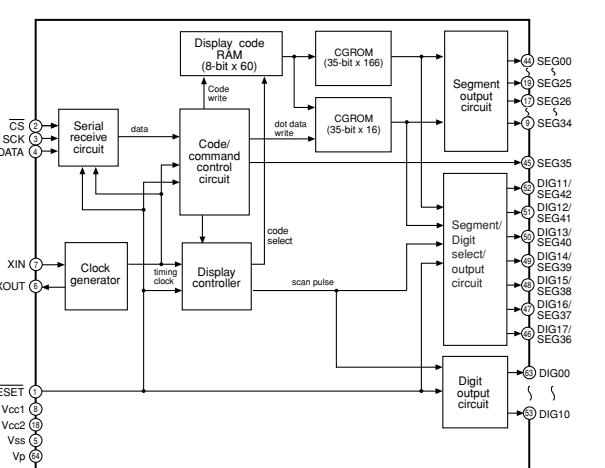
IC902: TC7SH08F
2-input AND gate



IC951: PQ012FZ01ZPH
Voltage regulator



IC901: M66003-0131FP-R
18 digit 5 x 7 segment VFD controller/driver



■ REPLACEMENT PARTS LIST

• ELECTRICAL COMPONENT PARTS

WARNING

- Components having special characteristics are marked \triangle and must be replaced with parts having specifications equal to those originally installed.
- The chip resistor is not supplied as a replacement part.
 - * When a chip resistor is necessary, use the following part.
AAX60720: CHIP RESISTOR SAMPLE BOOK
- \triangle 印のある部分は、安全確保部品を示しています。部品の交換が必要な場合、パーツリストに記載されている部品を使用してください。
- チップ抵抗はサービス部品として供給しません。
 - ※ チップ抵抗が必要な場合は、下記の部品をご利用ください。
AAX60720: CHIP RESISTOR SAMPLE BOOK
- 部品価格ランクは、予告なく変更することがあります。

ABBREVIATIONS IN THIS LIST ARE AS FOLLOWS:

C.A.EL.CHP	: CHIP ALUMI.ELECTROLYTIC CAP	L.EMIT	: LIGHT EMITTING MODULE
C.CE	: CERAMIC CAP	LED.DSPLY	: LED DISPLAY
C.CE.ARRAY	: CERAMIC CAP ARRAY	LED.INFRD	: LED,INFRARED
C.CE.CHP	: CHIP CERAMIC CAP	MODUL.RF	: MODULATOR,RF
C.CE.ML	: MULTILAYER CERAMIC CAP	PHOT.CPL	: PHOTO COUPLER
C.CE.M.CHP	: CHIP MULTILAYER CERAMIC CAP	PHOT.INTR	: PHOTO INTERRUPTER
C.CE.SAFTY	: RECOGNIZED CERAMIC CAP	PHOT.RFLCT	: PHOTO REFLECTOR
C.CE.TUBLR	: CERAMIC TUBULAR CAP	PIN.TEST	: PIN,TEST POINT
C.CE.SMI	: SEMI CONDUCTIVE CERAMIC CAP	PLST.RIVET	: PLASTIC RIVET
C.EL	: ELECTROLYTIC CAP	R.ARRAY	: RESISTOR ARRAY
C.MICA	: MICA CAP	R.CAR.	: CARBON RESISTOR
C.ML.FLM	: MULTILAYER FILM CAP	R.CAR.CHP	: CHIP RESISTOR
C.MP	: METALLIZED PAPER CAP	R.CAR.FP	: FLAME PROOF CARBON RESISTOR
C.MYLAR	: MYLAR FILM CAP	R.FUS	: FUSABLE RESISTOR
C.MYLAR.ML	: MULTILAYER MYLAR FILM CAP	R.MTL.CHP	: CHIP METAL FILM RESISTOR
C.PAPER	: PAPER CAPACITOR	R.MTL.FLM	: METAL FILM RESISTOR
C.PLS	: POLYSTYRENE FILM CAP	R.MTL.OXD	: METAL OXIDE FILM RESISTOR
C.POL	: POLYESTER FILM CAP	R.MTL.PLAT	: METAL PLATE RESISTOR
C.POLY	: POLYETHYLENE FILM CAP	RSNR.CE	: CERAMIC RESONATOR
C.PP	: POLYPROPYLENE FILM CAP	RSNR.CRYS	: CRYSTAL RESONATOR
C.TNTL	: TANTALUM CAP	R.TW.CEM	: TWIN CEMENT FIXED RESISTOR
C.TNTL.CHP	: CHIP TANTALUM CAP	R.CEMENT	: CEMENT RESISTOR
C.TRIM	: TRIMMER CAP	SCR.BND.HD	: BIND HEAD B-TIGHT SCREW
CN	: CONNECTOR	SCR.BW.HD	: BW HEAD TAPPING SCREW
CN.BS.PIN	: CONNECTOR,BASE PIN	SCR.CUP	: CUP TIGHT SCREW
CN.CANNON	: CONNECTOR,CANNON	SCR.TERM	: SCREW TERMINAL
CN.DIN	: CONNECTOR,DIN	SCR.TR	: SCREW,TRANSISTOR
CN.FLAT	: CONNECTOR,FLAT CABLE	SUPRT.PCB	: SUPPORT,P.C.B.
CN.POST	: CONNECTOR,BASE POST	SURG.PRTCT	: SURGE PROTECTOR
COIL.MX.AM	: COIL,AM MIX	SW.TACT	: TACT SWITCH
COIL.AT.FM	: COIL,FM ANTENNA	SW.LEAF	: LEAF SWITCH
COIL.DT.FM	: COIL,FM DETECT	SW.LEVER	: LEVER SWITCH
COIL.MX.FM	: COIL,FM MIX	SW.MICRO	: MICRO SWITCH
COIL.OUTPT	: OUTPUT COIL	SW.PUSH	: PUSH SWITCH
DIOD.ARRAY	: DIODE ARRAY	SW.RT.ENC	: ROTARY ENCODER
DIODE.BRG	: DIODE BRIDGE	SW.RT.MTR	: ROTARY SWITCH WITH MOTOR
DIODE.CHP	: CHIP DIODE	SW.RT	: ROTARY SWITCH
DIODE.VAR	: VARACTOR DIODE	SW.SLIDE	: SLIDE SWITCH
DIOD.Z.CHP	: CHIP ZENER DIODE	TERM.SP	: SPEAKER TERMINAL
DIODE.ZENR	: ZENER DIODE	TERM.WRAP	: WRAPPING TERMINAL
DSCR.CE	: CERAMIC DISCRIMINATOR	THRMST.CHP	: CHIP THERMISTOR
FER.BEAD	: FERRITE BEADS	TR.CHP	: CHIP TRANSISTOR
FER.CORE	: FERRITE CORE	TR.DGT	: DIGITAL TRANSISTOR
FET.CHP	: CHIP FET	TR.DGT.CHP	: CHIP DIGITAL TRANSISTOR
FL.DSPLY	: FLUORESCENT DISPLAY	TRANS	: TRANSFORMER
FLTR.CE	: CERAMIC FILTER	TRANS.PULS	: PULSE TRANSFORMER
FLTR.COMB	: COMB FILTER MODULE	TRANS.PWR	: POWER TRANSFORMER ASS'Y
FLTR.LC.RF	: LC FILTER,EMI	TUNER.AM	: TUNER PACK,AM
GND.MTL	: GROUND PLATE	TUNER.FM	: TUNER PACK,FM
GND.TERM	: GROUND TERMINAL	TUNER.PK	: FRONT-ENDTUNER PACK
HOLDER.FUS	: FUSE HOLDER	VR	: ROTARY POTENTIOMETER
IC.PRTCT	: IC PROTECTOR	VR.MTR	: POTENTIOMETER WITH MOTOR
JUMPER.CN	: JUMPER CONNECTOR	VR.SW	: POTENTIOMETER WITH ROTARY SW
JUMPER.TST	: JUMPER,TEST POINT	VR.SLIDE	: SLIDE POTENTIOMETER
L.DTCT	: LIGHT DETECTING MODULE	VR.TRIM	: TRIMMER POTENTIOMETER

P.C.B. DSP

Ref No.	Part No.	Description	Remarks	Markets	部 品 名	ランク
*	WK686700	P. C. B.	DSP		P C B D S P	
CB1	WC195900	CN. BS. PIN	9P TE FMN		FMNコネクター	
CB2	VT388300	CN. BS. PIN	2P		ベース付ポスト	
CB3	WC195900	CN. BS. PIN	9P TE FMN		FMNコネクター	
CB4	WC197600	CN. FMN	26P TE		FMNコネクター	
CB6	WC199000	CN. BS. PIN	40P TE FMN		FMNコネクター	
CB7	VT388600	CN. BS. PIN	5P		ベース付ポスト	01
CB8	WC198000	CN. BS. PIN	30P TE FMN		FMNコネクター	04
C1-2	US135100	C. CE. CHP	0.1uF 16V		チップセラコン	01
C3	US035100	C. CE. CHP	0.1uF 16V B		チップセラコン	01
C4	US044220	C. CE. CHP	0.022uF 25V B		チップセラコン	01
C5-6	UF017220	C. EL. CHP	22uF 6.3V		チップケミコン	01
C7	US135100	C. CE. CHP	0.1uF 16V		チップセラコン	01
C9-11	US135100	C. CE. CHP	0.1uF 16V		チップセラコン	01
C12-13	US062100	C. CE. CHP	100pF 50V B		チップセラコン	01
C14-15	US135100	C. CE. CHP	0.1uF 16V		チップセラコン	01
C16	UF017470	C. EL. CHP	47uF 6.3V		チップケミコン	01
C17	US063100	C. CE. CHP	1000pF 50V B		チップセラコン	01
C18-19	US060800	C. CE. CHP	8pF 50V B		チップセラコン	01
C20-21	UF018100	C. EL. CHP	100uF 6.3V		チップケミコン	01
C22	UF037100	C. EL. CHP	10uF 16V		チップケミコン	01
C23	US126100	C. CE. CHP	1uF 10V		チップセラコン	01
C24-31	US135100	C. CE. CHP	0.1uF 16V		チップセラコン	01
C32	US063100	C. CE. CHP	1000pF 50V B		チップセラコン	01
C33	US061220	C. CE. CHP	22pF 50V B		チップセラコン	01
C34-42	US135100	C. CE. CHP	0.1uF 16V		チップセラコン	01
C43	UF017220	C. EL. CHP	22uF 6.3V		チップケミコン	01
C44-46	US135100	C. CE. CHP	0.1uF 16V		チップセラコン	01
C47	US062680	C. CE. CHP	680pF 50V B		チップセラコン	01
C48-58	US135100	C. CE. CHP	0.1uF 16V		チップセラコン	01
C59	UF017220	C. EL. CHP	22uF 6.3V		チップケミコン	01
C60	US135100	C. CE. CHP	0.1uF 16V		チップセラコン	01
C61	UF017470	C. EL. CHP	47uF 6.3V		チップケミコン	01
C62-63	US035100	C. CE. CHP	0.1uF 16V B		チップセラコン	01
C64	UF017220	C. EL. CHP	22uF 6.3V		チップケミコン	01
C65	US135100	C. CE. CHP	0.1uF 16V		チップセラコン	01
C66-67	US063100	C. CE. CHP	1000pF 50V B		チップセラコン	01
C68	US035100	C. CE. CHP	0.1uF 16V B		チップセラコン	01
C69	US063100	C. CE. CHP	1000pF 50V B		チップセラコン	01
C70	US135100	C. CE. CHP	0.1uF 16V		チップセラコン	01
C71	US063100	C. CE. CHP	1000pF 50V B		チップセラコン	01
C72	US035100	C. CE. CHP	0.1uF 16V B		チップセラコン	01
C73	UF017220	C. EL. CHP	22uF 6.3V		チップケミコン	01
C74-75	US063100	C. CE. CHP	1000pF 50V B		チップセラコン	01
C76	US135100	C. CE. CHP	0.1uF 16V		チップセラコン	01
C77-78	US035100	C. CE. CHP	0.1uF 16V B		チップセラコン	01
C79	UF017220	C. EL. CHP	22uF 6.3V		チップケミコン	01
C80	US063100	C. CE. CHP	1000pF 50V B		チップセラコン	01
C81-82	WE477600	C. EL	100uF 16V		ケミコン	02
C83	UF037100	C. EL. CHP	10uF 16V		チップケミコン	01
C84-87	WD176300	C. CE. CHP	1uF 16V K		チップセラコン	01
C88	UF037100	C. EL. CHP	10uF 16V		チップケミコン	01
C89-90	US063220	C. CE. CHP	2200pF 50V B		チップセラコン	01
C95	UF017220	C. EL. CHP	22uF 6.3V		チップケミコン	01
C96-97	WD176300	C. CE. CHP	1uF 16V K		チップセラコン	01

* New Parts * 新規部品

P.C.B. DSP

Ref No.	Part No.	Description	Remarks	Markets	部 品 名	ランク
C98-99	US135100	C. CE. CHP	0.1uF 16V		チップセラコン	01
C100-101	WE475900	C. EL	560uF 6.3V		ケミコン	02
C102-103	UF018100	C. EL. CHP	100uF 6.3V		チップケミコン	01
C104-124	US135100	C. CE. CHP	0.1uF 16V		チップセラコン	01
C125	UF037100	C. EL. CHP	10uF 16V		チップケミコン	01
C126	US126100	C. CE. CHP	1uF 10V		チップセラコン	01
C127-137	US135100	C. CE. CHP	0.1uF 16V		チップセラコン	01
C138	US063100	C. CE. CHP	1000pF 50V B		チップセラコン	01
C139-144	US135100	C. CE. CHP	0.1uF 16V		チップセラコン	01
C145	UF017220	C. EL. CHP	22uF 6.3V		チップケミコン	01
C146	US135100	C. CE. CHP	0.1uF 16V		チップセラコン	01
C147	UF017220	C. EL. CHP	22uF 6.3V		チップケミコン	01
C148-152	US135100	C. CE. CHP	0.1uF 16V		チップセラコン	01
C153	UF017220	C. EL. CHP	22uF 6.3V		チップケミコン	01
C154-155	US135100	C. CE. CHP	0.1uF 16V		チップセラコン	01
C156	UF017220	C. EL. CHP	22uF 6.3V		チップケミコン	01
C157-165	US135100	C. CE. CHP	0.1uF 16V		チップセラコン	01
C166	UF037100	C. EL. CHP	10uF 16V		チップケミコン	01
C167	US135100	C. CE. CHP	0.1uF 16V		チップセラコン	01
C168	UF017470	C. EL. CHP	47uF 6.3V		チップケミコン	01
C169-170	US035100	C. CE. CHP	0.1uF 16V B		チップセラコン	01
C171-172	US063100	C. CE. CHP	1000pF 50V B		チップセラコン	01
C173	UF017220	C. EL. CHP	22uF 6.3V		チップケミコン	01
C174	US063100	C. CE. CHP	1000pF 50V B		チップセラコン	01
C175	US035100	C. CE. CHP	0.1uF 16V B		チップセラコン	01
C176	UF017220	C. EL. CHP	22uF 6.3V		チップケミコン	01
C177-178	US135100	C. CE. CHP	0.1uF 16V		チップセラコン	01
C179	US035100	C. CE. CHP	0.1uF 16V B		チップセラコン	01
C180-182	US063100	C. CE. CHP	1000pF 50V B		チップセラコン	01
C183-184	US035100	C. CE. CHP	0.1uF 16V B		チップセラコン	01
C185	US135100	C. CE. CHP	0.1uF 16V		チップセラコン	01
C186	UF017220	C. EL. CHP	22uF 6.3V		チップケミコン	01
C187	US135100	C. CE. CHP	0.1uF 16V		チップセラコン	01
C188	UF017220	C. EL. CHP	22uF 6.3V		チップケミコン	01
C189	US063100	C. CE. CHP	1000pF 50V B		チップセラコン	01
C190	UF037100	C. EL. CHP	10uF 16V		チップケミコン	01
C191	US035100	C. CE. CHP	0.1uF 16V B		チップセラコン	01
C192	UF037100	C. EL. CHP	10uF 16V		チップケミコン	01
C193	UF017220	C. EL. CHP	22uF 6.3V		チップケミコン	01
C194-195	US135100	C. CE. CHP	0.1uF 16V		チップセラコン	01
C197	UF038100	C. EL. CHP	100uF 16V		チップケミコン	01
C198	UF017470	C. EL. CHP	47uF 6.3V		チップケミコン	01
C199-264	US135100	C. CE. CHP	0.1uF 16V		チップセラコン	01
D1-4	WB081800	DIODE. SHOT	SB01-05Q		ショットキーダイオード	
* D5-6	WJ871600	DIODE. SHOT	KDR357-RTK/P		ショットキーダイオード	
D7-8	V6267600	DIODE	RB051L-40		ダイオード	01
IC1	X0199B00	IC	TC74VHC157FT(EL,K)		ロジックIC	01
IC3	X7746A00	IC	LC89057W-VF4AD-E		IC	07
IC4	XR680A00	IC	TC7SH08FU(TE85L,JF		ロジックIC	01
* IC6	X8375A00	IC	TC7SHU04FU INVER		ロジックIC	
* IC7	X7787A00	IC	TC74LCX245FT(EL,K)		ロジックIC	
IC8	X2590B00	IC	W9816G6CH-7 SDRAM		メモリIC 16M	06
IC9	X6189A00	IC	WM8738		A/Dコンバーター	06
IC10-11	X5172A00	IC	PQ1CZ41H2Z		電源IC	05
* IC12	X8996A00	IC	S29AL004D70TF1020	written	メモリIC	05

* New Parts * 新規部品

P.C.B. DSP and P.C.B. INPUT

Ref No.	Part No.	Description	Remarks	Markets	部 品 名	ランク
IC14	XR680A00	IC	TC7SH08FU(TE85L, JF		ロジックIC	01
IC15	X6071A00	IC	WM8728		D/Aコンバーター	05
IC16	XZ414D00	IC	W9864G6GH-7 SDRAM		メモリーC 64M	05
IC17	X6071A00	IC	WM8728		D/Aコンバーター	05
* IC18	X9094B00	IC	MX29LV160CBTC-70G	written	メモリーC	06
* IC20	X8379A00	IC	TC7SH126FU(TE85L, F		ロジックIC	
L4-21	V6246100	C. CHP	NFM3DCC223R1H3L		エミフィル チップ	01
Q3	VR998500	TR. DGT	DTC124EUAT106		デジタルTR	01
Q4	VQ986700	TR	2SC4081 T106		トランジスタ	01
XL1	V3625700	RSNR. CRYST	24.576MHz		水晶振動子	03
* WK687800	P. C. B.	INPUT			J PCB インプット	
* WK687900	P. C. B.	INPUT			UC PCB インプット	
* WK688000	P. C. B.	INPUT			KV PCB インプット	
* WK688100	P. C. B.	INPUT			A PCB インプット	
* WK688200	P. C. B.	INPUT			B PCB インプット	
* WK688300	P. C. B.	INPUT	3000		GE PCB インプット	
* WK687500	P. C. B.	INPUT	7030		GE PCB インプット	
* WK688400	P. C. B.	INPUT			L PCB インプット	
* CB1	VQ044400	CN. BS. PIN	9P		FFCコネクタ	
CB2	WJ458700	CN. XM	4P, CAM-D96		UC XMコネクタ	
CB4	VB389800	CN. BS. PIN	2P		ベースピン	
CB5	WC195900	CN. BS. PIN	9P TE FMN		FMNコネクタ	
CB6	WC196200	CN. BS. PIN	12P TE FMN		FMNコネクタ	
CB7	VB389900	CN. BS. PIN	3P		B ベースピン	
CB8	VB390400	CN. BS. PIN	8P		ベースピン	
CB9	VM923600	CN. BS. PIN	13P		UCKAGELV FFCコネクタ	
* CB10	WC197600	CN. FMN	26P TE		FMNコネクタ	
CB11	WC199000	CN. BS. PIN	40P TE FMN		FMNコネクタ	
CB12	WA135400	CN	19P SOCKET TWG-P		TWG-Pソケット	
CB13	VB390100	CN. BS. PIN	5P		B ベースピン	
* CB14	WK415600	CN	24P TE		FFC/FPCコネクタ	
C1-4	US064100	C. CE. CHP	0.01uF 50V B		チップセラコン	
C5	US064100	C. CE. CHP	0.01uF 50V B		J チップセラコン	
C6	US064100	C. CE. CHP	0.01uF 50V B		チップセラコン	
C7-8	WD176300	C. CE. CHP	1uF 16V K		チップセラコン	
C9	US061220	C. CE. CHP	22pF 50V B		チップセラコン	
C10	US061220	C. CE. CHP	22pF 50V B		UCKABGELV チップセラコン	
C11	WD176300	C. CE. CHP	1uF 16V K		J チップセラコン	
C12-13	US064100	C. CE. CHP	0.01uF 50V B		チップセラコン	
C14	US062100	C. CE. CHP	100pF 50V B		チップセラコン	
C15-16	US064100	C. CE. CHP	0.01uF 50V B		チップセラコン	
C17	US035100	C. CE. CHP	0.1uF 16V B		チップセラコン	
C18	US035100	C. CE. CHP	0.1uF 16V B		UCKABGELV チップセラコン	
C19	UR847220	C. EL	22uF 25V		ケミコン	
C20	UR847220	C. EL	22uF 25V		UCKABGELV ケミコン	
C23	US064100	C. CE. CHP	0.01uF 50V B		J チップセラコン	
C24-27	US062470	C. CE. CHP	470pF 50V B		チップセラコン	
C28	UR837470	C. EL	47uF 16V		J ケミコン	
C29-32	UR837100	C. EL	10uF 16V		ケミコン	
C35-36	US035100	C. CE. CHP	0.1uF 16V B		UC チップセラコン	
C37	UR829100	C. EL	1000uF 10V		ケミコン	
C38	UR837470	C. EL	47uF 16V		J ケミコン	

* New Parts * 新規部品

YSP-3000/YSP-30D/
HTY-7030

P.C.B. INPUT

Ref No.	Part No.	Description	Remarks	Markets	部 品 名	ランク
C40	WD176300	C. CE. CHP	1uF 16V K			チップセラコン
C41	UR837220	C. EL	22uF 16V		J	ケミコン
C42	US035100	C. CE. CHP	0.1uF 16V B		UC	チップセラコン
C43-44	US062220	C. CE. CHP	220pF 50V B		UCAB	チップセラコン
C45	UR838330	C. EL	330uF 16V			ケミコン
C46	US063100	C. CE. CHP	1000pF 50V B			チップセラコン
C47-49	US062220	C. CE. CHP	220pF 50V B		UCAB	チップセラコン
C50	US135100	C. CE. CHP	0.1uF 16V		UC	チップセラコン
C51	US062220	C. CE. CHP	220pF 50V B		UCAB	チップセラコン
C52-54	US035100	C. CE. CHP	0.1uF 16V B			チップセラコン
C55	UR837100	C. EL	10uF 16V			ケミコン
C56	US135100	C. CE. CHP	0.1uF 16V			チップセラコン
C57	US035100	C. CE. CHP	0.1uF 16V B			チップセラコン
C58	UR838100	C. EL	100uF 16V			ケミコン
C59	US135100	C. CE. CHP	0.1uF 16V			チップセラコン
C60	US035100	C. CE. CHP	0.1uF 16V B			チップセラコン
C61	US135100	C. CE. CHP	0.1uF 16V		UC	チップセラコン
C62	UR818100	C. EL	100uF 6.3V			ケミコン
C63	US135100	C. CE. CHP	0.1uF 16V		UC	チップセラコン
C64	US035100	C. CE. CHP	0.1uF 16V B			チップセラコン
C65	US063100	C. CE. CHP	1000pF 50V B			チップセラコン
C66-67	US061100	C. CE. CHP	10pF 50V B		UC	チップセラコン
C68	US135100	C. CE. CHP	0.1uF 16V		UC	チップセラコン
C69	US062680	C. CE. CHP	680pF 50V B			チップセラコン
C70	UR818100	C. EL	100uF 6.3V			ケミコン
C71-72	UR837100	C. EL	10uF 16V			ケミコン
C75-76	UR837100	C. EL	10uF 16V			ケミコン
C77	US035100	C. CE. CHP	0.1uF 16V B			チップセラコン
C78	US061100	C. CE. CHP	10pF 50V B			チップセラコン
C79	US061120	C. CE. CHP	12pF 50V B		JUCKV	チップセラコン
C79	US061100	C. CE. CHP	10pF 50V B		ABGEL	チップセラコン
C80	US135100	C. CE. CHP	0.1uF 16V		UC	チップセラコン
C81	UR837100	C. EL	10uF 16V			ケミコン
C82	US035100	C. CE. CHP	0.1uF 16V B			チップセラコン
C83	US061150	C. CE. CHP	15pF 50V B			チップセラコン
C84	US135100	C. CE. CHP	0.1uF 16V		UCAB	チップセラコン
C85-87	UR837100	C. EL	10uF 16V			ケミコン
C88	UR838100	C. EL	100uF 16V			ケミコン
C89	US035100	C. CE. CHP	0.1uF 16V B			チップセラコン
C90-91	US062220	C. CE. CHP	220pF 50V B			チップセラコン
C92	UR837330	C. EL	33uF 16V			ケミコン
C93	US062220	C. CE. CHP	220pF 50V B			チップセラコン
C94	US061270	C. CE. CHP	27pF 50V B			チップセラコン
C95	US062100	C. CE. CHP	100pF 50V B			チップセラコン
C96	US062470	C. CE. CHP	470pF 50V B			チップセラコン
C97	UR837100	C. EL	10uF 16V			ケミコン
C99-102	US061330	C. CE. CHP	33pF 50V B			チップセラコン
C103-104	US135100	C. CE. CHP	0.1uF 16V			チップセラコン
C105	WE477600	C. EL	100uF 16V		UCB	ケミコン
C106	US135100	C. CE. CHP	0.1uF 16V			チップセラコン
C107	WD176300	C. CE. CHP	1uF 16V K		UCB	チップセラコン
C108	UR837470	C. EL	47uF 16V		GE	ケミコン
C109	US135100	C. CE. CHP	0.1uF 16V			チップセラコン
C110	WD176300	C. CE. CHP	1uF 16V K		UCB	チップセラコン
C111	UR837470	C. EL	47uF 16V		GE	ケミコン

* New Parts * 新規部品

P.C.B. INPUT

Ref No.	Part No.	Description	Remarks	Markets	部 品 名	ランク
C112	US062560	C. CE. CHP	560pF 50V B		GE	チップセラコン
C115-120	US135100	C. CE. CHP	0.1uF 16V			チップセラコン
C121	US061270	C. CE. CHP	27pF 50V B		GE	チップセラコン
C122	US135100	C. CE. CHP	0.1uF 16V		GE	チップセラコン
C123	US061270	C. CE. CHP	27pF 50V B		GE	チップセラコン
C124	UR837470	C. EL	47uF 16V		GE	ケミコン
C125	WD176300	C. CE. CHP	1uF 16V K		UCB	チップセラコン
C126	US064100	C. CE. CHP	0.01uF 50V B			チップセラコン
C127	US135100	C. CE. CHP	0.1uF 16V			チップセラコン
C128	WE475900	C. EL	560uF 6.3V		UCB	ケミコン
C129-130	US062330	C. CE. CHP	330pF 50V B		GE	チップセラコン
C131	US135100	C. CE. CHP	0.1uF 16V		GE	チップセラコン
C132	WE477600	C. EL	100uF 16V		UCAB	ケミコン
C133-134	WD176300	C. CE. CHP	1uF 16V K		UCAB	チップセラコン
C135	US135100	C. CE. CHP	0.1uF 16V		UCKABGELV	チップセラコン
C136	US064100	C. CE. CHP	0.01uF 50V B			チップセラコン
C138	US061330	C. CE. CHP	33pF 50V B			チップセラコン
C139-140	US064100	C. CE. CHP	0.01uF 50V B			チップセラコン
C142	US064100	C. CE. CHP	0.01uF 50V B			チップセラコン
C143	US135100	C. CE. CHP	0.1uF 16V			チップセラコン
C144-145	US126100	C. CE. CHP	1uF 10V			チップセラコン
C146	US135100	C. CE. CHP	0.1uF 16V			チップセラコン
C148	WD176300	C. CE. CHP	1uF 16V K		UCAB	チップセラコン
C149	UR837330	C. EL	33uF 16V		UCKAGELV	ケミコン
C150	WE475900	C. EL	560uF 6.3V		UCAB	ケミコン
C151	US135100	C. CE. CHP	0.1uF 16V			チップセラコン
C152	UR837100	C. EL	10uF 16V		UCKAGELV	ケミコン
C153	UR839100	C. EL	1000uF 16V			ケミコン
C154	UR837330	C. EL	33uF 16V		UCKAGELV	ケミコン
C155-156	US135100	C. CE. CHP	0.1uF 16V			チップセラコン
C157-159	US062100	C. CE. CHP	100pF 50V B		UCKAGELV	チップセラコン
C160	US061470	C. CE. CHP	47pF 50V B		UCKAGELV	チップセラコン
C161-163	US062100	C. CE. CHP	100pF 50V B		UCKAGELV	チップセラコン
C164	US064100	C. CE. CHP	0.01uF 50V B		B	チップセラコン
C165	US065100	C. CE. CHP	0.1uF 50V B			チップセラコン
C166-174	US135100	C. CE. CHP	0.1uF 16V			チップセラコン
C175-177	US064100	C. CE. CHP	0.01uF 50V B		UC	チップセラコン
C178	US035100	C. CE. CHP	0.1uF 16V B			チップセラコン
C179-181	US135100	C. CE. CHP	0.1uF 16V			チップセラコン
C183	US135100	C. CE. CHP	0.1uF 16V			チップセラコン
C191-200	US135100	C. CE. CHP	0.1uF 16V			チップセラコン
C202	UR837220	C. EL	22uF 16V		UC	ケミコン
C203-204	US064100	C. CE. CHP	0.01uF 50V B			チップセラコン
C205-206	US035100	C. CE. CHP	0.1uF 16V B		UCAB	チップセラコン
C207-208	WD758300	C. CE. CHP	10uF 10V		UCAB	チップセラコン
C209	US062100	C. CE. CHP	100pF 50V B		UCAB	チップセラコン
C210-211	WD758300	C. CE. CHP	10uF 10V		UCAB	チップセラコン
C212	US062100	C. CE. CHP	100pF 50V B		UCAB	チップセラコン
C213-215	US035100	C. CE. CHP	0.1uF 16V B		UCAB	チップセラコン
D1-3	WE674800	DIODE	AVRL161A1R1NTB		UC	チップバリスタ
D4	VU995800	DIODE. ZENR	MA8110-M 11V		J	ツェナーダイオード
D5-8	VU991000	DIODE. ZENR	MA8036 3.6V			ツェナーダイオード
D10	VU993400	DIODE. ZENR	MA8062-M 6.2V			ツェナーダイオード
D11	V6267600	DIODE	RB051L-40		UCB	ダイオード
D12	V6267600	DIODE	RB051L-40		UCAB	ダイオード

* New Parts * 新規部品

P.C.B. INPUT

Ref No.	Part No.	Description	Remarks	Markets	部 品 名	ランク
D14	VU995500	DIODE. ZENR	MA8100-H 10.3V		UCKAGELV	ツェナーダイオード
D15-16	VV220700	DIODE. SHOT	RB501V-40			ショットキーダイオード
D17	VV307700	DIODE	1N4002S			ダイオード
D18-20	VV220700	DIODE. SHOT	RB501V-40			ショットキーダイオード
F1	V2429100	SW. POLY	SMDC100-02		UCB	ポリスイッチ
IC1	XD598A00	IC	TC74HCU04AFEL INV			ロジックIC
*	IC3	IC	MAX3232CPW RS232C			ロジックIC
*	IC4	IC	NJM3404AM-TE1			アンプIC SOP
*	IC5	IC	MB90050PF-G-118-E1		J	OSDコントローラ
*	IC5	IC	MB90050PF-G-119-E1		UCKABGELV	OSDコントローラ
*	IC6	IC	F2621E-01-TR		UC	IC
*	IC7	IC	TC74VHC125FT (EL, K)			ロジックIC
*	IC8	IC	TC7SH08F AND		UCAB	ロジックIC
*	IC9	IC	BD3843FS-E2			IC
*	IC11	IC	TC74VHCT08AFT EL, K			ロジックIC
*	IC12	IC	LC72722PM		GE	IC
*	IC13	IC	P01CZ41H2Z		UCB	電源IC
*	IC14	IC	P01CZ41H2Z		UCAB	電源IC
*	IC15	IC	TC74VHCT245AFT E, K		UCKABGELV	ロジックIC
*	IC16	IC. CPU	M3087BFBKBP CPU	unwritten		CPU IC
*	IC17	IC	BR25L320F-W EEPROM			メモリIC
*	IC18	IC	TC74LCX245FT (EL, K)			ロジックIC
*	IC19	PHOT. CPL	TLP281 GR		UC	フォトカブラ
*	IC20	IC	TC7SH08F AND			ロジックIC
*	IC24	IC	NJM2068V (TE1) OPAM		UCAB	アンプIC フラット
*	JK1	JACK. MNI	LGY6501-0900FC		JUC	モノラルミニジャック
*	PJ1	JACK. PIN	6P MSD-246V-151			ピンコネクタ
*	Q1	TR	2SC4488 S, T		J	トランジスタ
*	Q2-3	TR	2SC2412K Q, R, S			トランジスタ
*	Q4	TR. DGT	DTC144EKA		J	デジタルトランジスタ
*	Q5-6	TR	2SC2412K Q, R, S			トランジスタ
*	Q7	TR. DGT	DTC144EKA		J	デジタルトランジスタ
*	Q8	TR	2SD1938F S, T			トランジスタ
*	Q9	TR	2SA1037K Q, R, S			トランジスタ
*	Q10	TR. DGT	DTA114EKA			デジタルトランジスタ
*	Q11	TR	2SC1815 Y			トランジスタ
*	Q13	TR	2SC1740S QRS		GE	トランジスタ
*	Q15	TR	2SC1815 Y		UCKAGELV	トランジスタ
*	Q18	TR	2SD1938F S, T		UC	トランジスタ
*	Q19	FET	CPH6320		UC	FET
*	Q20	TR	2SC2412K Q, R, S		UC	トランジスタ
*	R2	R. MTL. FLM	1.5Ω 1W		J	金属被膜抵抗
*	R7	R. MTL. FLM	1.5Ω 1W		J	金属被膜抵抗
*	R32	R. CAR. FP	100Ω 1/4W		J	不燃化カーボン抵抗
*	R35	R. CAR. FP	1.8KΩ 1/4W		J	不燃化カーボン抵抗
*	R49	R. CAR. FP	4.7Ω 1/4W		J	不燃化カーボン抵抗
*	R60	R. CAR. FP	10Ω 1/4W			不燃化カーボン抵抗
*	R74	R. CAR. FP	2.2Ω 1/4W			不燃化カーボン抵抗
*	R86	R. CAR. FP	2.2Ω 1/4W			不燃化カーボン抵抗
*	R118	R. CAR. FP	12Ω 1/4W			不燃化カーボン抵抗
*	R164	R. CAR. FP	10Ω 1/4W		GE	不燃化カーボン抵抗
*	R327	R. CHP	10KΩ 1/16W J	7030		チップ抵抗
*	SW1	SW. TACT	SKHLLC			タクトSW
*	U1	CN	GP1FP513RK0F			複合コネクタ
*	U2	CN. PHOTO. R	1P GP1FAV51RK0F		J	光ファイバー受信器

* New Parts * 新規部品

P.C.B. INPUT and P.C.B. AMP

Ref No.	Part No.	Description	Remarks	Markets	部 品 名	ランク	
*	U3	WJ202200	CN	GP1FP513RK0F	UCKABGELV	複合コネクタ	
	U4	WH169900	CN. PHOTO. R	1P GP1FAV51RK0F	J	光ファイバー受信器	
*	XL1	WH455300	RSNR. CRYST	45.1584MHz	UC	水晶振動子	
	XL2	VV949800	RSNR. CRYST	14.31818MHz	JUCKV	水晶振動子	
*	XL2	WC044100	RSNR. CRYST	17.734475MHz	ABGEL	水晶振動子	
*	XL3	WJ588000	RSNR. CRYST	4.332MHz	GE	水晶振動子	
	XL4	WF997400	RSNR. CE	20MHz		セラミック振動子	
*		WK686300	P. C. B.	AMP		P C B AMP	
	CB501	WA545900	CN	30P TE FMN		F F C / F P C コネクタ	01
	CB502-508	VL845000	CN. BS. PIN	6P		ベース付ポスト	01
	CB509-510	LB918020	CN. BS. PIN	2P		ベース付ポスト	01
	CB511	LB932080	CN	8P		ベースポスト	01
	C501-502	US063100	C. CE. CHP	1000pF 50V B		チップセラコン	01
	C503-504	US135100	C. CE. CHP	0.1uF 16V		チップセラコン	01
	C505-506	UR837100	C. EL	10uF 16V		ケミコン	01
	C507	US135100	C. CE. CHP	0.1uF 16V		チップセラコン	01
	C508-509	US064100	C. CE. CHP	0.01uF 50V B		チップセラコン	01
	C510-512	WE773800	C. CE. M. CHP	1uF 10V B		チップ積層セラコン	01
	C513	US126100	C. CE. CHP	1uF 10V		チップセラコン	01
	C514	US135100	C. CE. CHP	0.1uF 16V		チップセラコン	01
	C515-516	US126100	C. CE. CHP	1uF 10V		チップセラコン	01
	C517	US135100	C. CE. CHP	0.1uF 16V		チップセラコン	01
	C520	US126100	C. CE. CHP	1uF 10V		チップセラコン	01
	C527	US126100	C. CE. CHP	1uF 10V		チップセラコン	01
	C528-529	US135100	C. CE. CHP	0.1uF 16V		チップセラコン	01
	C530	WE773800	C. CE. M. CHP	1uF 10V B		チップ積層セラコン	01
	C535	US135100	C. CE. CHP	0.1uF 16V		チップセラコン	01
*	C536	WH046700	C. CE. M. CHP	4.7uF 16V		チップ積層セラコン	
	C538	WE773800	C. CE. M. CHP	1uF 10V B		チップ積層セラコン	01
	C539	US135100	C. CE. CHP	0.1uF 16V		チップセラコン	01
	C540	WC666800	C. CE. CHP	1uF 16V		チップセラコン	01
	C542	US135100	C. CE. CHP	0.1uF 16V		チップセラコン	01
	C543	US135220	C. CE. CHP	0.22uF 16V		チップセラコン	01
	C544	US126100	C. CE. CHP	1uF 10V		チップセラコン	01
	C545	US063100	C. CE. CHP	1000pF 50V B		チップセラコン	01
	C546	US060800	C. CE. CHP	8pF 50V B		チップセラコン	01
*	C547	WH046600	C. CE. M. CHP	47uF 16V		チップ積層セラコン	
	C548	US034470	C. CE. CHP	0.047uF 16V B		チップセラコン	01
	C549	UR866100	C. EL	1uF 50V		ケミコン	01
*	C550	WH046600	C. CE. M. CHP	47uF 16V		チップ積層セラコン	
	C551	US063100	C. CE. CHP	1000pF 50V B		チップセラコン	01
	C552	UR866100	C. EL	1uF 50V		ケミコン	01
	C553	US135100	C. CE. CHP	0.1uF 16V		チップセラコン	01
	C554	US060800	C. CE. CHP	8pF 50V B		チップセラコン	01
	C555-557	US135100	C. CE. CHP	0.1uF 16V		チップセラコン	01
	C558-560	WE773800	C. CE. M. CHP	1uF 10V B		チップ積層セラコン	01
	C561	US126100	C. CE. CHP	1uF 10V		チップセラコン	01
	C562	US135100	C. CE. CHP	0.1uF 16V		チップセラコン	01
	C563	UR837100	C. EL	10uF 16V		ケミコン	01
	C564	US135100	C. CE. CHP	0.1uF 16V		チップセラコン	01
	C565-566	US126100	C. CE. CHP	1uF 10V		チップセラコン	01
	C567	US063470	C. CE. CHP	4700pF 50V B		チップセラコン	01

* New Parts * 新規部品

P.C.B. AMP

Ref No.	Part No.	Description	Remarks	Markets	部 品 名	ランク
C568-569	UR838100	C. EL	100uF 16V		ケミコン	01
C571	WD678500	C. EL. AL	330uF 6.3V		アルミ電解コンデンサ	
C572-573	US135330	C. CE. CHP	0.33uF 16V		チップセラコン	01
C574	UR817330	C. EL	33uF 6.3V		ケミコン	01
C575-576	US135100	C. CE. CHP	0.1uF 16V		チップセラコン	01
C577-579	WE773800	C. CE. M. CHP	1uF 10V B		チップ積層セラコン	01
C580	US126100	C. CE. CHP	1uF 10V		チップセラコン	01
C581-582	US135100	C. CE. CHP	0.1uF 16V		チップセラコン	01
C585	US135100	C. CE. CHP	0.1uF 16V		チップセラコン	01
* C586	WH046700	C. CE. M. CHP	4.7uF 16V		チップ積層セラコン	
C587	WC666800	C. CE. CHP	1uF 16V		チップセラコン	01
C588	US126100	C. CE. CHP	1uF 10V		チップセラコン	01
C589-590	US135100	C. CE. CHP	0.1uF 16V		チップセラコン	01
C591	US135220	C. CE. CHP	0.22uF 16V		チップセラコン	01
C592	WE773800	C. CE. M. CHP	1uF 10V B		チップ積層セラコン	01
C593	US063100	C. CE. CHP	1000pF 50V B		チップセラコン	01
* C594	WH046600	C. CE. M. CHP	47uF 16V		チップ積層セラコン	
C595	US034470	C. CE. CHP	0.047uF 16V B		チップセラコン	01
* C596	WH046600	C. CE. M. CHP	47uF 16V		チップ積層セラコン	
C597	US063100	C. CE. CHP	1000pF 50V B		チップセラコン	01
C598	US135100	C. CE. CHP	0.1uF 16V		チップセラコン	01
C599	WE773800	C. CE. M. CHP	1uF 10V B		チップ積層セラコン	01
C600-602	US135100	C. CE. CHP	0.1uF 16V		チップセラコン	01
C603	US126100	C. CE. CHP	1uF 10V		チップセラコン	01
C604	US063470	C. CE. CHP	4700pF 50V B		チップセラコン	01
C605-606	US135100	C. CE. CHP	0.1uF 16V		チップセラコン	01
C608	US135100	C. CE. CHP	0.1uF 16V		チップセラコン	01
C609	UR837100	C. EL	10uF 16V		ケミコン	01
C610	WD678500	C. EL. AL	330uF 6.3V		アルミ電解コンデンサ	
C611-612	US126100	C. CE. CHP	1uF 10V		チップセラコン	01
C613-615	WE773800	C. CE. M. CHP	1uF 10V B		チップ積層セラコン	01
C616	US126100	C. CE. CHP	1uF 10V		チップセラコン	01
C617	US135100	C. CE. CHP	0.1uF 16V		チップセラコン	01
C618	UR817330	C. EL	33uF 6.3V		ケミコン	01
C619-620	UR838100	C. EL	100uF 16V		ケミコン	01
C621-622	US135330	C. CE. CHP	0.33uF 16V		チップセラコン	01
C623-625	US135100	C. CE. CHP	0.1uF 16V		チップセラコン	01
* C626	WH046700	C. CE. M. CHP	4.7uF 16V		チップ積層セラコン	
C627-629	WE773800	C. CE. M. CHP	1uF 10V B		チップ積層セラコン	01
C630	US126100	C. CE. CHP	1uF 10V		チップセラコン	01
C631	US135100	C. CE. CHP	0.1uF 16V		チップセラコン	01
C632	WC666800	C. CE. CHP	1uF 16V		チップセラコン	01
C633	US135100	C. CE. CHP	0.1uF 16V		チップセラコン	01
C635	US135220	C. CE. CHP	0.22uF 16V		チップセラコン	01
C637	US063100	C. CE. CHP	1000pF 50V B		チップセラコン	01
* C638	WH046600	C. CE. M. CHP	47uF 16V		チップ積層セラコン	
C639	US034470	C. CE. CHP	0.047uF 16V B		チップセラコン	01
C640	US126100	C. CE. CHP	1uF 10V		チップセラコン	01
* C641	WH046600	C. CE. M. CHP	47uF 16V		チップ積層セラコン	
C642	US063100	C. CE. CHP	1000pF 50V B		チップセラコン	01
C643-646	US135100	C. CE. CHP	0.1uF 16V		チップセラコン	01
C647	WE773800	C. CE. M. CHP	1uF 10V B		チップ積層セラコン	01
C648	UR817470	C. EL	47uF 6.3V		ケミコン	01
C649	WE773800	C. CE. M. CHP	1uF 10V B		チップ積層セラコン	01
C650	US135100	C. CE. CHP	0.1uF 16V		チップセラコン	01

* New Parts * 新規部品

P.C.B. AMP and P.C.B. HDMI

Ref No.	Part No.	Description	Remarks	Markets	部 品 名	ランク
C651	US063470	C. CE. CHP	4700pF 50V B		チップセラコン	01
C652	US135100	C. CE. CHP	0.1uF 16V		チップセラコン	01
C654	US126100	C. CE. CHP	1uF 10V		チップセラコン	01
C655	WD678500	C. EL. AL	330uF 6.3V		アルミ電解コンデンサ	
C656	UR817330	C. EL	33uF 6.3V		ケミコン	01
C657	US135100	C. CE. CHP	0.1uF 16V		チップセラコン	01
C658	WB807100	C. EL	220uF 16V		ケミコン	01
C659-661	WE773800	C. CE. M. CHP	1uF 10V B		チップ積層セラコン	01
C662	US126100	C. CE. CHP	1uF 10V		チップセラコン	01
C663-664	US135100	C. CE. CHP	0.1uF 16V		チップセラコン	01
C665	WB807100	C. EL	220uF 16V		ケミコン	01
C666	US135100	C. CE. CHP	0.1uF 16V		チップセラコン	01
C668	US135100	C. CE. CHP	0.1uF 16V		チップセラコン	01
C670-671	WB807100	C. EL	220uF 16V		ケミコン	01
C672-674	US135100	C. CE. CHP	0.1uF 16V		チップセラコン	01
C678-685	US135100	C. CE. CHP	0.1uF 16V		チップセラコン	01
D501-503	VT332900	DIODE	1SS355		ダイオード	01
D504	VU992600	DIODE. ZENR	MA8051-M 5.1V		ツェナーダイオード	01
D505	WC549600	DIODE. CHP	RB160M-30 TR		チップダイオード	04
D506-510	VT332900	DIODE	1SS355		ダイオード	01
D511	WC549600	DIODE. CHP	RB160M-30 TR		チップダイオード	04
D512-516	VT332900	DIODE	1SS355		ダイオード	01
D517	WC549600	DIODE. CHP	RB160M-30 TR		チップダイオード	04
D518-520	VT332900	DIODE	1SS355		ダイオード	01
* D521-523	WK403400	DIODE. CHP	DG1M3-5063		チップダイオード	
* IC501	X8425A00	IC	TC74LCX541FT (EL, K)		ロジックIC	
* IC502	X8375A00	IC	TC7SHU04FU INVER		ロジックIC	
* IC503	X7750A00	IC	YDA141-SZ		IC	07
* IC507	X7750A00	IC	YDA141-SZ		IC	07
* IC511	X7750A00	IC	YDA141-SZ		IC	07
Q501-502	VV655700	TR. DGT	DTC144EKA		デジタルトランジスタ	01
Q503-504	VV556500	TR	2SA1037K Q, R, S		トランジスタ	01
Q505-506	VV655700	TR. DGT	DTC144EKA		デジタルトランジスタ	01
* Q507	WH006000	FET	STS8DNF3LL S0-8		F E T	
Q508-509	VV655700	TR. DGT	DTC144EKA		デジタルトランジスタ	01
* Q510-511	WH006000	FET	STS8DNF3LL S0-8		F E T	
R511	HV753100	R. CAR. FP	1Ω 1/4W		不燃化カーボン抵抗	01
R576	HV753220	R. CAR. FP	2.2Ω 1/4W		不燃化カーボン抵抗	01
R610	HV753220	R. CAR. FP	2.2Ω 1/4W		不燃化カーボン抵抗	01
R641	HV753220	R. CAR. FP	2.2Ω 1/4W		不燃化カーボン抵抗	01
* XL501	WH156100	RSNR. CRYST	DSX321G		水晶振動子	03
* WK686400	P. C. B.	HDMI			P C B H D M I	
CB1	WH641400	CN. HDMI	19P SE		HDMIコネクタ	03
CB3-4	WH641400	CN. HDMI	19P SE		HDMIコネクタ	03
CB5	VR134300	CN. BS. PIN	6P		ベース付ポスト	01
* CB6	WK433700	CN	24P SE		F F C / F P C コネクタ	
* CB7	WA900700	CN. FMN	7P SE FMN		FMNコネクタ	
C1	WG888300	C. CE. M. CHP	10uF 6.3V		チップ積層セラコン	01
C2-3	US135100	C. CE. CHP	0.1uF 16V		チップセラコン	01
C4-7	US663100	C. CE. CHP	1000pF 50V		チップセラコン	01
C8	WG888300	C. CE. M. CHP	10uF 6.3V		チップ積層セラコン	01
C9-10	US135100	C. CE. CHP	0.1uF 16V		チップセラコン	01

* New Parts * 新規部品

P.C.B. HDMI

Ref No.	Part No.	Description	Remarks	Markets	部 品 名	ランク
C11	WG888300	C. CE. M. CHP	10uF 6.3V		チップ積層セラコン	01
C12	US663100	C. CE. CHP	1000pF 50V		チップセラコン	01
C13	US135100	C. CE. CHP	0.1uF 16V		チップセラコン	01
C16-17	US663100	C. CE. CHP	1000pF 50V		チップセラコン	01
C21	WG888300	C. CE. M. CHP	10uF 6.3V		チップ積層セラコン	01
C22	US663100	C. CE. CHP	1000pF 50V		チップセラコン	01
C24	US135100	C. CE. CHP	0.1uF 16V		チップセラコン	01
C28	WG888300	C. CE. M. CHP	10uF 6.3V		チップ積層セラコン	01
C32	US135100	C. CE. CHP	0.1uF 16V		チップセラコン	01
C33-34	US663100	C. CE. CHP	1000pF 50V		チップセラコン	01
C50	US663100	C. CE. CHP	1000pF 50V		チップセラコン	01
C53	US135100	C. CE. CHP	0.1uF 16V		チップセラコン	01
C54-55	US663100	C. CE. CHP	1000pF 50V		チップセラコン	01
C56	WG888300	C. CE. M. CHP	10uF 6.3V		チップ積層セラコン	01
C58	US135100	C. CE. CHP	0.1uF 16V		チップセラコン	01
C61	US135100	C. CE. CHP	0.1uF 16V		チップセラコン	01
C65-66	US135100	C. CE. CHP	0.1uF 16V		チップセラコン	01
C67-68	US663100	C. CE. CHP	1000pF 50V		チップセラコン	01
C113	US126100	C. CE. CHP	1uF 10V		チップセラコン	01
C117-118	US135100	C. CE. CHP	0.1uF 16V		チップセラコン	01
C119	US061150	C. CE. CHP	15pF 50V B		チップセラコン	01
C120	US061120	C. CE. CHP	12pF 50V B		チップセラコン	01
C121	US135100	C. CE. CHP	0.1uF 16V		チップセラコン	01
C127	US135100	C. CE. CHP	0.1uF 16V		チップセラコン	01
C129	WG888300	C. CE. M. CHP	10uF 6.3V		チップ積層セラコン	01
C130	US663100	C. CE. CHP	1000pF 50V		チップセラコン	01
C131-132	US135100	C. CE. CHP	0.1uF 16V		チップセラコン	01
C133-139	US663100	C. CE. CHP	1000pF 50V		チップセラコン	01
C141-144	US135100	C. CE. CHP	0.1uF 16V		チップセラコン	01
C146	US663100	C. CE. CHP	1000pF 50V		チップセラコン	01
C150-154	US663100	C. CE. CHP	1000pF 50V		チップセラコン	01
C155-156	UF037100	C. EL. CHP	10uF 16V		チップケミコン	01
C157-159	US663100	C. CE. CHP	1000pF 50V		チップセラコン	01
C160	WD758300	C. CE. CHP	10uF 10V		チップセラコン	01
C161	UF037100	C. EL. CHP	10uF 16V		チップケミコン	01
C163-164	US663100	C. CE. CHP	1000pF 50V		チップセラコン	01
C165	US634100	C. CE. CHP	0.01uF 16V		チップセラコン	01
C167	US663100	C. CE. CHP	1000pF 50V		チップセラコン	01
C168	US634100	C. CE. CHP	0.01uF 16V		チップセラコン	01
C169	US126100	C. CE. CHP	1uF 10V		チップセラコン	01
C170	US663100	C. CE. CHP	1000pF 50V		チップセラコン	01
C171	WD758300	C. CE. CHP	10uF 10V		チップセラコン	01
C173	US663100	C. CE. CHP	1000pF 50V		チップセラコン	01
C174	UF037100	C. EL. CHP	10uF 16V		チップケミコン	01
C175-177	US663100	C. CE. CHP	1000pF 50V		チップセラコン	01
C178-180	US135100	C. CE. CHP	0.1uF 16V		チップセラコン	01
C181	UF037470	C. EL. CHP	47uF 16V		チップケミコン	01
C182	WG888300	C. CE. M. CHP	10uF 6.3V		チップ積層セラコン	01
C183	US135100	C. CE. CHP	0.1uF 16V		チップセラコン	01
C184-186	US663100	C. CE. CHP	1000pF 50V		チップセラコン	01
C187-188	US135100	C. CE. CHP	0.1uF 16V		チップセラコン	01
C189-190	US663100	C. CE. CHP	1000pF 50V		チップセラコン	01
C191	US135100	C. CE. CHP	0.1uF 16V		チップセラコン	01
C197-198	WG888300	C. CE. M. CHP	10uF 6.3V		チップ積層セラコン	01
C199	US634100	C. CE. CHP	0.01uF 16V		チップセラコン	01

* New Parts * 新規部品

P.C.B. HDMI and P.C.B. POWER

Ref No.	Part No.	Description	Remarks	Markets	部 品 名	ランク
C201-202	US135100	C. CE. CHP	0.1uF 16V		チップセラコン	01
C203	US126100	C. CE. CHP	1uF 10V		チップセラコン	01
C204	US634100	C. CE. CHP	0.01uF 16V		チップセラコン	01
C205	US126100	C. CE. CHP	1uF 10V		チップセラコン	01
C207-209	US135100	C. CE. CHP	0.1uF 16V		チップセラコン	01
C211-212	US135100	C. CE. CHP	0.1uF 16V		チップセラコン	01
C213	US634100	C. CE. CHP	0.01uF 16V		チップセラコン	01
C214	US135100	C. CE. CHP	0.1uF 16V		チップセラコン	01
C216	US634100	C. CE. CHP	0.01uF 16V		チップセラコン	01
D9	WE674800	DIODE	AVRL161A1R1NTB		チップバリスタ	01
D10-11	WE674800	DIODE	AVRL161A1R1NTB		チップバリスタ	01
D13	VT332900	DIODE	1SS355		ダイオード	01
D19-22	WH641900	ESD	PESD0603-140		ポリマー ESD	01
D23	VT332900	DIODE	1SS355		ダイオード	01
D24-27	WH641900	ESD	PESD0603-140		ポリマー ESD	01
D28-29	VT332900	DIODE	1SS355		ダイオード	01
D31	VT332900	DIODE	1SS355		ダイオード	01
D33-40	WH641900	ESD	PESD0603-140		ポリマー ESD	01
D41	WE674800	DIODE	AVRL161A1R1NTB		チップバリスタ	01
D46-49	WE674800	DIODE	AVRL161A1R1NTB		チップバリスタ	01
D50	VT332900	DIODE	1SS355		ダイオード	01
F1	V2997600	SW. POLY	SMDC050-02		ポリスイッチ	01
* IC6	X9055A00	IC	NJU7754F05		電源 IC	
* IC8	X3292A00	IC	SN74LV244APWR		ロジック IC	01
* IC10	X8887A00	IC	TB7102F		電源 IC	
IC11	X3402A00	IC	PQ033EZ01ZP 3.3V		電源 IC	03
IC14	X8005A00	IC	SN74CBT3253CPWR		ロジック IC	04
IC15	X8294A00	IC	M24C02-WDW6TP		メモリ IC	03
* IC16	X9370C00	IC. CPU	MN103SFD7GYAB CPU	written	IC CPU	
Q2	WE834500	FET	UPA672T-T1-A		FET	01
Q3-11	VY677600	TR. DGT	DTC123JKA TP		デジタルトランジスタ	01
* XL2	WH625000	RSNR. CRY	27MHz		水晶振動子	03
* XL3	WM227900	RSNR. CE	10MHz		セラミック振動子	
* WK687000	WK687000	P. C. B.	POWER		J P C B パワー	
* WK687100	WK687100	P. C. B.	POWER		UCV P C B パワー	
* WK687200	WK687200	P. C. B.	POWER	3000	KAGEL P C B パワー	
* WK687300	WK687300	P. C. B.	POWER		B P C B パワー	
* WK752500	WK752500	P. C. B.	POWER	7030	GE P C B パワー	
△ CB501	VG879900	CN. BS. PIN	2P		ベースピン	01
△ CB502-503	WC050700	CLIP. FUSE	EYF-52BCY		ヒューズクリップ	01
CB504	LB932080	CN	8P		ベースポスト	01
CB506	VB390000	CN. BS. PIN	4P		ベースピン	01
CB507	VB390100	CN. BS. PIN	5P		ベースピン	01
CB508	VB390200	CN. BS. PIN	6P		コネクタベースポスト	01
CB902	V6218000	CN. BS. PIN	FMN 12P TE		F F Cコネクタ	02
CB903	VB858400	CN. BS. PIN	5P		ベースピン	01
* CB951	WK701800	CN	30P TE HIF3H-30DA		B レセプタクル	
△ C501	WE468500	C. CE. SAFTY	0.22uF 275V		規格認定コンデンサ	01
* C502	WH035900	C. CE. SAFTY	1000pF 250V		規格認定コンデンサ	
* C503	WH035900	C. CE. SAFTY	1000pF 250V		規格認定コンデンサ	
* C504	WK513100	C. EL	22uF 200V		JUCV ケミコン	
* C504	WK456500	C. EL	10uF 400V		KABGEL ケミコン	

* New Parts * 新規部品

YSP-3000/YSP-30D/
HTY-7030

P.C.B. POWER

Ref No.	Part No.	Description	Remarks	Markets	部 品 名	ランク	
*	C505	WK513100	C. EL	22uF 200V	JUCV	ケミコン	
*	C505	WK456500	C. EL	10uF 400V	KABGEL	ケミコン	
△	C506	V6185300	C. CE. SAFTY	0.01uF 275V		規格認定コンデンサ	01
*	C508	WJ322300	C. CE. M. CHP	1000pF 630V		チップ積層セラコン	
	C509	VZ281900	C. CE. CHP	0.47uF 16V K		チップセラ	01
	C510	WE468500	C. CE. SAFTY	0.22uF 275V		規格認定コンデンサ	01
	C511	US063100	C. CE. CHP	1000pF 50V B		チップセラコン	01
*	C512	WJ322300	C. CE. M. CHP	1000pF 630V		チップ積層セラコン	
	C513	V7887800	C. EL	1uF 50V		ケミコン	
	C514	VZ243300	C. CE. CHP	0.22uF 16V		チップセラコン	01
	C515	WB687100	C. POL. MTL	0.047uF 400V	JUCV	メタライズドポリコン	01
	C515	WC041600	C. POL. MTL	0.022uF 630V	KABGEL	メタライズドポリコン	01
	C516	VZ243300	C. CE. CHP	0.22uF 16V		チップセラコン	01
	C517	UA654100	C. MYLAR	0.01uF 50V J		マイラーコン	01
	C518	WF411500	C. EL	820uF 200V	JUCV	ケミコン	07
*	C518	WF709700	C. EL	220uF 400V	KABGEL	ケミコン	
	C519	UR866220	C. EL	2.2uF 50V		ケミコン	01
*	C520	WJ047200	C. EL	22uF 50V		ケミコン V Z	
	C521	US035100	C. CE. CHP	0.1uF 16V B		チップセラコン	01
	C522	UR866220	C. EL	2.2uF 50V		ケミコン	01
	C523	US063220	C. CE. CHP	2200pF 50V B		チップセラコン	01
	C524	US065100	C. CE. CHP	0.1uF 50V B		チップセラコン	01
△	C525	WH035900	C. CE. SAFTY	1000pF 250V		規格認定コンデンサ	
	C526	US065100	C. CE. CHP	0.1uF 50V B		チップセラコン	01
	C527	V4749000	C. EL	150uF 6.3V		ケミコン	
	C528	WG348200	C. EL	33uF 100V		ケミコン	01
	C529	UR866470	C. EL	4.7uF 50V		ケミコン	01
*	C530	WH138300	C. EL	1000uF 25V		ケミコン	
	C531	UA655470	C. MYLAR	0.47uF 50V J		マイラーコン	01
	C532	WG501000	C. EL	10uF 50V		ケミコン V Z	01
*	C533	WH138400	C. EL	4700uF 16V		ケミコン	
	C534	WG218000	C. EL	100uF 35V		ケミコン	
	C536	US065100	C. CE. CHP	0.1uF 50V B		チップセラコン	01
	C537	US035100	C. CE. CHP	0.1uF 16V B		チップセラコン	01
	C538	US065100	C. CE. CHP	0.1uF 50V B		チップセラコン	01
	C539	UA655470	C. MYLAR	0.47uF 50V J		マイラーコン	01
	C540	WG226200	C. EL	100uF 16V		ケミコン	01
	C541	UA654100	C. MYLAR	0.01uF 50V J		マイラーコン	01
	C542	WG226200	C. EL	100uF 16V		ケミコン	01
	C543	WG226200	C. EL	100uF 16V		ケミコン	01
	C544	US065100	C. CE. CHP	0.1uF 50V B		チップセラコン	01
	C545	US065100	C. CE. CHP	0.1uF 50V B		チップセラコン	01
	C546	VU838100	C. MYLAR. ML	ECQ-V1H105JL3		積層マイラーコン	
	C547	US065100	C. CE. CHP	0.1uF 50V B		チップセラコン	01
	C548	US065100	C. CE. CHP	0.1uF 50V B		チップセラコン	01
	C549	WG226200	C. EL	100uF 16V		ケミコン	01
	C550	WG226200	C. EL	100uF 16V		ケミコン	01
*	C551	WJ322400	C. CE. M. CHP	0.01uF 250V	JUCV	チップ積層セラコン	
*	C551-552	WJ322300	C. CE. M. CHP	1000pF 630V	KABGEL	チップ積層セラコン	
*	C559	WK413800	C. CE. M. CHP	1000pF 250V		チップ積層セラコン	
	C561	WG501000	C. EL	10uF 50V		ケミコン V Z	01
	C562	V7887800	C. EL	1uF 50V		ケミコン	
△	C563	WH035900	C. CE. SAFTY	1000pF 250V		規格認定コンデンサ	
*	C564	WK578000	C. EL	150uF 10V		ケミコン	
*	C565	WK583700	C. EL	2200uF 10V		ケミコン	

* New Parts * 新規部品

P.C.B. POWER

Ref No.	Part No.	Description	Remarks	Markets	部 品 名	ランク
* C566-567	WK578000	C. EL	150uF 10V		ケミコン	
C568	US035100	C. CE. CHP	0.1uF 16V B		チップセラコン	01
C569	US065100	C. CE. CHP	0.1uF 50V B	J	チップセラコン	01
C570	WE256400	C. CE. SAFTY	0.1uF 275V	JUCV	規格認定コンデンサ	01
* C570	WK005000	C. CE. SAFTY	0.047uF 275V	KABGEL	規格認定コンデンサ	
C801-802	UM397220	C. EL	22uF 25V		ケミコン	01
C803-804	UM397100	C. EL	10uF 16V		ケミコン	01
C805	US061330	C. CE. CHP	33pF 50V B		チップセラコン	01
C806	UM387470	C. EL	47uF 16V		ケミコン	01
C807-808	US061100	C. CE. CHP	10pF 50V B		チップセラコン	01
C809	US062100	C. CE. CHP	100pF 50V B		チップセラコン	01
C810	UM397220	C. EL	22uF 25V		ケミコン	01
C811	US135100	C. CE. CHP	0.1uF 16V		チップセラコン	01
C812-814	UM397100	C. EL	10uF 16V		ケミコン	01
C816-817	US062470	C. CE. CHP	470pF 50V B		チップセラコン	01
C819	UM397220	C. EL	22uF 25V		ケミコン	01
C820-821	US064100	C. CE. CHP	0.01uF 50V B		チップセラコン	01
C824	US135100	C. CE. CHP	0.1uF 16V		チップセラコン	01
C901	US035100	C. CE. CHP	0.1uF 16V B		チップセラコン	01
C902-903	US035100	C. CE. CHP	0.1uF 16V B		チップセラコン	01
C904	UR867100	C. EL	10uF 50V		ケミコン	01
C905	UR818330	C. EL	330uF 6.3V		ケミコン	01
C906	US035100	C. CE. CHP	0.1uF 16V B		チップセラコン	01
C907	US062100	C. CE. CHP	100pF 50V B		チップセラコン	01
C908	US064100	C. CE. CHP	0.01uF 50V B		チップセラコン	01
C909-910	US035100	C. CE. CHP	0.1uF 16V B		チップセラコン	01
C911	US065100	C. CE. CHP	0.1uF 50V B		チップセラコン	01
C912-913	UR857220	C. EL	22uF 35V		ケミコン	01
C914	UR818100	C. EL	100uF 6.3V		ケミコン	01
C915	UR837220	C. EL	22uF 16V		ケミコン	01
C916-917	US035100	C. CE. CHP	0.1uF 16V B		チップセラコン	01
C918	US061220	C. CE. CHP	22pF 50V B		チップセラコン	01
C919	UR857470	C. EL	47uF 35V		ケミコン	01
C920	US035100	C. CE. CHP	0.1uF 16V B		チップセラコン	01
C952	UR818470	C. EL	470uF 6.3V	B	ケミコン	01
C953	US135100	C. CE. CHP	0.1uF 16V	B	チップセラコン	01
C954	US135330	C. CE. CHP	0.33uF 16V	B	チップセラコン	01
C955	US046100	C. CE. CHP	1uF 25V	B	チップセラコン	01
C957	UR818470	C. EL	470uF 6.3V	B	ケミコン	01
C963	US135220	C. CE. CHP	0.22uF 16V	B	チップセラコン	01
C966	UR818100	C. EL	100uF 6.3V	B	ケミコン	01
△ D501	V4756800	DIODE. BRG	S1NB60 1A 600V		ダイオードブリッジ	01
D502	VT332900	DIODE	1SS355		ダイオード	01
* D503	WJ459300	DIODE	D1FK60-5063		ダイオード	
D504	VV463000	DIODE. CHP	1.1A 200V D1FL20U		チップダイオード	01
△ D505	VN953300	DIODE. BRG	D5SBA60 5A 600V		ダイオードブリッジ	04
D506	VT332900	DIODE	1SS355		ダイオード	01
D507	VU995400	DIODE. ZENR	MA8100-M 10V		ツェナーダイオード	
D508	VU993800	DIODE. ZENR	MA8068-M 6.8V		ツェナーダイオード	01
D509	VN478200	DIODE	D1NL20U		ダイオード	01
D510-512	VT332900	DIODE	1SS355		ダイオード	01
* D513	WJ459300	DIODE	D1FK60-5063	JUCV	ダイオード	
* D513	WJ151900	DIODE	STTH110A	KABGEL	ダイオード	
D514	VG443100	DIODE. ZENR	MTZJ27D 27V		ツェナーダイオード	01
D515	VT332900	DIODE	1SS355		ダイオード	01

* New Parts * 新規部品

P.C.B. POWER

Ref No.	Part No.	Description	Remarks	Markets	部 品 名	ランク
D516	VN478200	DIODE	D1NL20U		ダイオード	01
D517	VT332900	DIODE	1SS355		ダイオード	01
D518	VN478200	DIODE	D1NL20U		ダイオード	01
* D519-520	WH316000	DIODE	D1NJ10-7070		ダイオード	
* D521	VV000200	DIODE. ZENR	32.0V MA8330-L		ツェナーダイオード	
* D522	WJ165100	DIODE. SHOT	20A 60V SF20SC6		ショットキーダイオード	
* D523	VU998000	DIODE. ZENR	18.7V MA8180-H	JUCV	ツェナーダイオード	
D523	VU998600	DIODE. ZENR	MA8220-L 21.3V	KABGEL	ツェナーダイオード	
D524-526	VT332900	DIODE	1SS355		ダイオード	01
* D529	WK397500	DIODE. ZENR	1ZB200-Y(TPA3, Q)	KABGEL	ツェナーダイオード	
* D530	WK397500	DIODE. ZENR	1ZB200-Y(TPA3, Q)		ツェナーダイオード	
D531	WJ116300	DIODE. SHOT	D1NS4-5070 26		ショットキダイオード	01
D532	VT208800	DIODE	D3S4M 7002 P7.5		ダイオード	02
D536-537	VG438600	DIODE. ZENR	MTZJ7.5B 7.5V		ツェナーダイオード	01
* D538	WK397500	DIODE. ZENR	1ZB200-Y(TPA3, Q)	JUCV	ツェナーダイオード	
* D539	WK397500	DIODE. ZENR	1ZB200-Y(TPA3, Q)		ツェナーダイオード	
D540	WJ116300	DIODE. SHOT	D1NS4-5070 26		ショットキダイオード	01
D541	VT332900	DIODE	1SS355		ダイオード	01
D801-802	VT332900	DIODE	1SS355		ダイオード	01
D803	VU992600	DIODE. ZENR	MA8051-M 5.1V		ツェナーダイオード	01
D901	VU993400	DIODE. ZENR	MA8062-M 6.2V		ツェナーダイオード	01
D951-952	VV220700	DIODE. SHOT	RB501V-40	B	ショットキーダイオード	01
D953	VT332900	DIODE	1SS355	B	ダイオード	01
△ F501	WG410300	FUSE	4A 125V	JUCV	ヒューズ	01
△ F501	KB000750	FUSE. MNI	T2A 250V	KABGEL	ヒューズ ミニ	01
* △ IC501	V8100500	PHOT. CPL	TLP421 GR		フォトカブラ	01
* △ IC502	X8899A00	IC	MIP2F40MS		電源 IC	
* △ IC503	V8100500	PHOT. CPL	TLP421 GR		フォトカブラ	01
△ IC504	X7734A00	IC	FA5511N-D1-TE1		電源 IC	04
* △ IC505-506	V8100500	PHOT. CPL	TLP421 GR		フォトカブラ	01
* IC507	X9117A00	IC	R1154N033B-TR-F		電源 IC	
IC508	X6770A00	IC	NJM431U(TE1)		電源 IC	01
IC509	XJ602A00	IC	NJM78M12FA		IC	02
IC510-511	XJ604A00	IC	NJM78M05FA		IC	02
IC512	X6770A00	IC	NJM431U(TE1)		電源 IC	01
IC801-802	X3505A00	IC	NJM2068MD-TE2		アンプ IC	02
IC901	X6386A00	IC	M66003-0131FP		IC	07
IC902	X2656A00	IC	TC7SH08F AND		ロジック IC	01
IC951	X5945A00	IC	PQ012FZ01ZPH	B	電源 IC	05
* JK801	WK659900	JACK. MNI	LGK6501-0300		ミニジャック	
* JK802	WJ250300	JACK. MNI	LGS6506-0700F		ミニジャック	
PN901	V8637500	PIN	L=50 #18		スタイルピン	
△ Q502-503	iC181510	TR	2SC1815 Y		トランジスタ	01
△ Q504	WF412500	FET	2SK3683-01MR ST	JUCV	F E T	05
△ Q504	WF703300	FET	2SK3679-01MR ST	KABGEL	F E T	04
Q505	VV655700	TR. DGT	DTC144EKA		デジタルトランジスタ	01
Q506	WF764000	TR	2SA2093 Q TP		トランジスタ	02
Q507	VV912400	TR	2SA933ASTP R. S TP		トランジスタ 2 S A	01
Q901-908	VV556400	TR	2SC2412K Q, R, S		トランジスタ	01
Q909	iD040040	TR	2SD400		トランジスタ	02
Q910	iB054430	TR	2SB544 D, E, F, G		トランジスタ	01
Q911	iC181510	TR	2SC1815 Y		トランジスタ	01
Q955	VV556400	TR	2SC2412K Q, R, S	B	トランジスタ	01
Q956	VV556500	TR	2SA1037K Q, R, S	B	トランジスタ	01
Q957	VV556400	TR	2SC2412K Q, R, S	B	トランジスタ	01

* New Parts * 新規部品

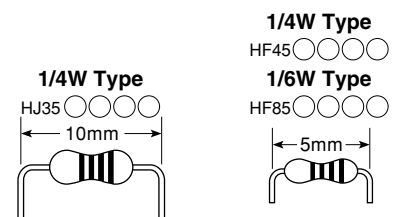
P.C.B. POWER

Ref No.	Part No.	Description	Remarks	Markets	部 品 名	ランク
*	R503	WA623200 R. MTL. OXD	180k Ω 1W			
*	R529	WH942300 R. MTL. PLAT	0.022 Ω 2W		JUCV	
*	R529	WH942400 R. MTL. PLAT	0.047 Ω 2W		KABGEL	
	R551-552	VP940800 R. MTL. OXD	470 Ω 1W			01
	R556	HV755120 R. CAR. FP	120 Ω 1/4W			01
	R558	WB784200 R. MTL. FLM	1.5 Ω 1W			
*	R801	HV753390 R. CAR. FP	3.9 Ω 1/4W			
	R917-918	HV755470 R. CAR. FP	470 Ω 1/4W			01
	R919	HV753100 R. CAR. FP	1 Ω 1/4W			01
* ⚠	RY501	WK441000 RELAY	DC ALKT329 M01			
	SW991-993	WD483100 SW. TACT	SKRGAAD010			01
* ⚠	T501	X8902A00 TRANS. PWR				
* ⚠	T502	X7791A00 TRANS. PWR		JUCV		
* ⚠	T502	X7855A00 TRANS. PWR		KABGEL		
⚠	TH501	WF544600 POSISTOR	NTPAD5R1LDNB0 5.1	JUCV		03
⚠	TH501	WF129000 POSISTOR	NTPAA100LDNB0 10	KABGEL		03
*	U901-902	WK721700 L. DTCT	GP1UE291QKVF			
*	V901	WH313100 FL. DSPLY	17-BT-28GNK			
*		WJ373300 SHEET	PINK	3000, 30D		
*		WK490900 SHEET. FL	BLUE	7030		
		WE983600 SCR. BND. HD	3x8 MFZN2B3			01
		WE774400 SCR. BND. HD	3x8 MFZN2B3			01

* New Parts * 新規部品

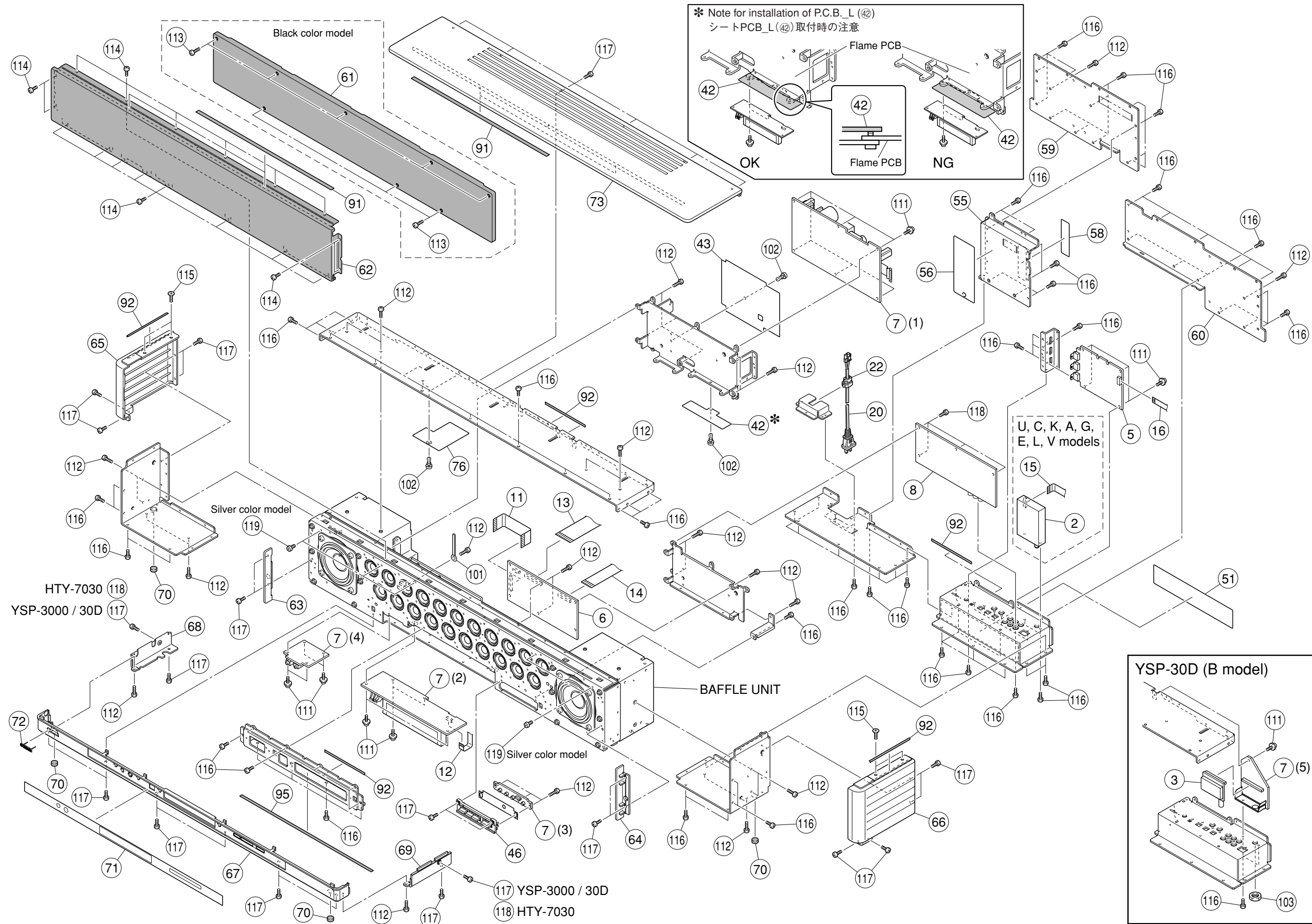
Carbon Resistors

Value	1/4W Type Part No.	1/6W Type Part No.	Value	1/4W Type Part No.	1/6W Type Part No.
1.0 Ω	HJ35 3100	HF85 3100	10 kΩ	HF45 7100	HF45 7100
1.8 Ω	HJ35 3180	*	11 kΩ	HF45 7110	HF45 7110
2.2 Ω	HJ35 3220	HF85 3220	12 kΩ	HJ35 7120	HF85 7120
3.3 Ω	HJ35 3330	HF85 3330	13 kΩ	HF45 7130	HF45 7130
4.7 Ω	HJ35 3470	HF85 3470	15 kΩ	HF45 7150	HF45 7150
5.6 Ω	HJ35 3560	HF85 3560	18 kΩ	HF45 7180	HF45 7180
10 Ω	HF45 4100	HF45 4100	22 kΩ	HF45 7220	HF45 7220
15 Ω	HJ35 4150	HF85 4150	24 kΩ	HF45 7240	HF45 7240
22 Ω	HF45 4220	HF45 4220	27 kΩ	HJ35 7270	HF85 7270
27 Ω	HJ35 4270	HF85 4270	30 kΩ	HF45 7300	HF45 7300
33 Ω	HF45 4330	HF45 4330	33 kΩ	HF45 7330	HF45 7330
39 Ω	HJ35 4470	HF85 4390	36 kΩ	HF45 7360	HF45 7360
47 Ω	HF45 4470	HF45 4470	39 kΩ	HF45 7390	HF45 7390
56 Ω	HF45 4560	HF45 4560	47 kΩ	HF45 7470	HF45 7470
68 Ω	HF45 4680	HF45 4680	51 kΩ	HF45 7510	HF45 7510
75 Ω	HF45 4750	HF45 4750	56 kΩ	HF45 7560	HF45 7560
82 Ω	HF45 4820	HF45 4820	62 kΩ	HF45 7620	HF45 7620
91 Ω	HF45 4910	HF45 4910	68 kΩ	HF45 7680	HF45 7680
100 Ω	HF45 5100	HF45 5100	82 kΩ	HF45 7820	HF45 7820
110 Ω	HJ35 5110	HF85 5110	91 kΩ	HF45 7910	HF45 7910
120 Ω	HF45 5120	HF45 5120	100 kΩ	HF45 8100	HF45 8100
150 Ω	HF45 5150	HF45 5150	110 kΩ	HF45 8110	HF45 8110
160 Ω	HJ35 5160	*	120 kΩ	HF45 8120	HF45 8120
180 Ω	HF45 5180	HF45 5180	150 kΩ	HF45 8150	HF45 8150
200 Ω	HF45 5200	HF45 5200	180 kΩ	HF45 8180	HF45 8180
220 Ω	HF45 5220	HF45 5220	220 kΩ	HJ35 8220	HF85 8220
270 Ω	HF45 5270	HF45 5270	270 kΩ	HF45 8270	HF45 8270
330 Ω	HF45 5330	HF45 5330	300 kΩ	HF45 8300	HF45 8300
390 Ω	HF45 5390	HF45 5390	330 kΩ	HF45 8330	HF45 8330
430 Ω	HF45 5430	HF45 5430	390 kΩ	HJ35 8390	HF85 8390
470 Ω	HF45 5470	HF45 5470	470 kΩ	HF45 8470	HF45 8470
510 Ω	HF45 5510	HF45 5510	560 kΩ	HJ35 8560	HF85 8560
560 Ω	HF45 5560	HF45 5560	680 kΩ	HJ35 8680	HF85 8680
680 Ω	HF45 5680	HF45 5680	820 kΩ	HJ35 8820	HF85 8820
820 Ω	HF45 5820	HF45 5820	1.0 MΩ	HF45 9100	HF45 9100
910 Ω	HF45 5910	HF45 5910	1.2 MΩ	HJ35 9120	*
1.0 kΩ	HF45 6100	HF45 6100	1.5 MΩ	HJ35 9150	HF85 9150
1.2 kΩ	HF45 6120	HF45 6120	1.8 MΩ	HJ35 9180	HF85 9180
1.5 kΩ	HF45 6150	HF45 6150	2.2 MΩ	HJ35 9220	HF85 9220
1.8 kΩ	HF45 6180	HF45 6180	3.3 MΩ	HJ35 9330	HF85 9330
2.0 kΩ	HJ35 6200	HF85 6200	3.9 MΩ	HJ35 9390	*
2.2 kΩ	HF45 6220	HF45 6220	4.7 MΩ	HJ35 9470	HF85 9470
2.4 kΩ	HJ35 6240	HF85 6240			
2.7 kΩ	HF45 6270	HF45 6270			
3.0 kΩ	HF45 6300	HF45 6300			
3.3 kΩ	HF45 6330	HF45 6330			
3.6 kΩ	HJ35 6360	HF85 6360			
3.9 kΩ	HF45 6390	HF45 6390			
4.7 kΩ	HF45 6470	HF45 6470			
5.1 kΩ	HF45 6510	HF45 6510			
5.6 kΩ	HF45 6560	HF45 6560			
6.8 kΩ	HF45 6680	HF45 6680			
8.2 kΩ	HF45 6820	HF45 6820			
9.1 kΩ	HF45 6910	HF45 6910			



* : Not available

• OVERALL ASS'Y



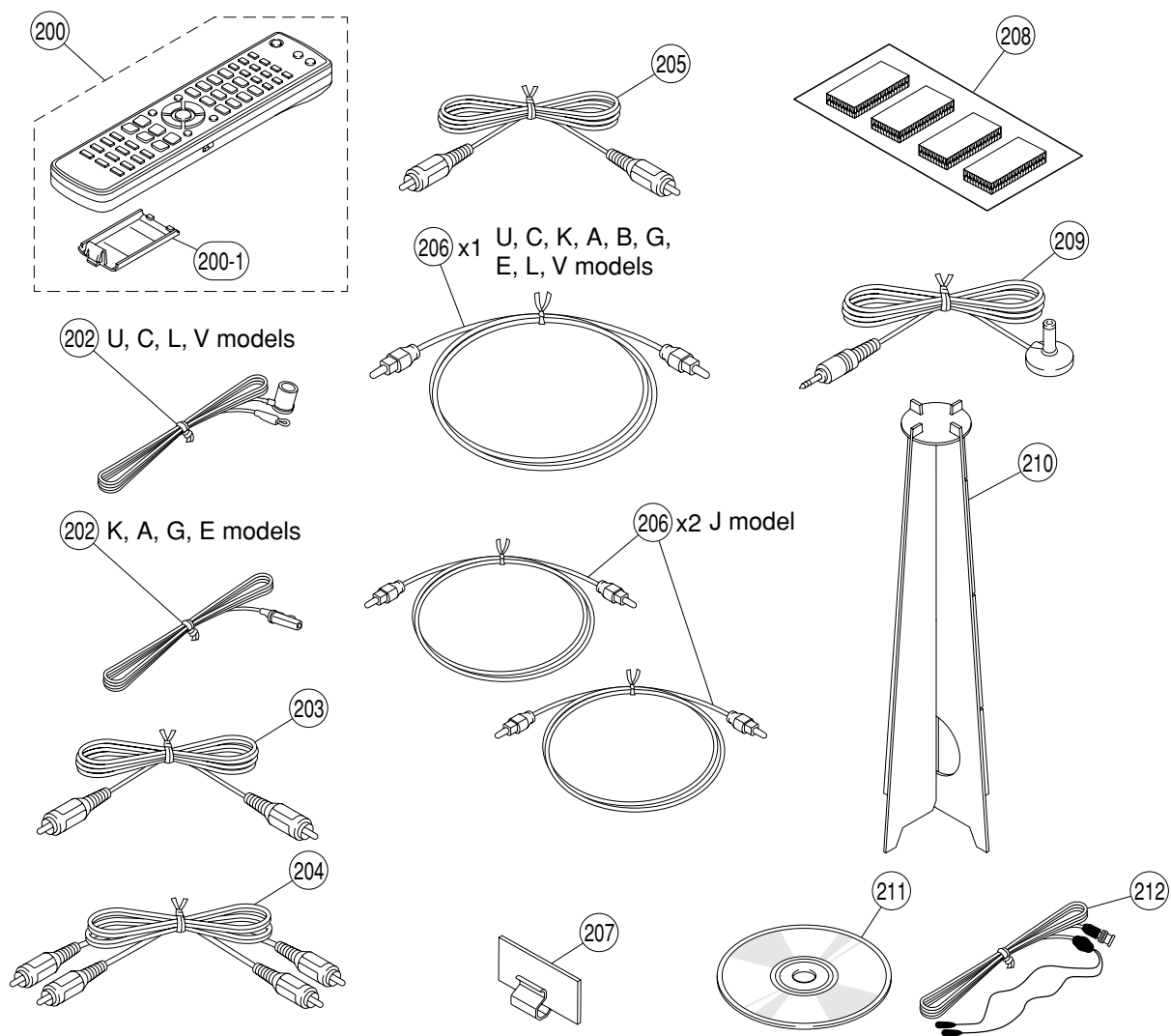
Ref No.	Part No.	Description	Remarks	Markets	部 品 名	ランク	
*	2	WJ559000	FM TUNER	FAE381-A08N	UCLV	F Mチューナー	
*	2	WJ559100	FM TUNER	FAE481-E08N	KAGE	F Mチューナー	
*	3	WK727600	DAB MODULE	VENICE 5 FS2025	B	D A Bモジュール	
*	5	WK686400	P.C.B. ASS'Y	HDMI		P C B H D M I	
*	6	WK686700	P.C.B. ASS'Y	DSP		P C B D S P	
*	7	WK687000	P.C.B. ASS'Y	POWER	J	P C B パワー	
*	7	WK687100	P.C.B. ASS'Y	POWER	UCV	P C B パワー	
*	7	WK687200	P.C.B. ASS'Y	POWER	3000	KAGEL	P C B パワー
*	7	WK687300	P.C.B. ASS'Y	POWER	B	P C B パワー	
*	7	WK752500	P.C.B. ASS'Y	POWER	7030	GE	P C B パワー
*	8	WK687800	P.C.B. ASS'Y	INPUT	J	P C B インプット	
*	8	WK687900	P.C.B. ASS'Y	INPUT	UC	P C B インプット	
*	8	WK688000	P.C.B. ASS'Y	INPUT	KV	P C B インプット	
*	8	WK688100	P.C.B. ASS'Y	INPUT	A	P C B インプット	
*	8	WK688200	P.C.B. ASS'Y	INPUT	B	P C B インプット	
*	8	WK688300	P.C.B. ASS'Y	INPUT	3000	GE	P C B インプット
*	8	WK687500	P.C.B. ASS'Y	INPUT	7030	GE	P C B インプット
*	8	WK688400	P.C.B. ASS'Y	INPUT	L	P C B インプット	
*	11	WK721100	FLEXIBLE FLAT CABLE	30P 50mm P=1.0		カード電線	
*	12	WK721200	FLEXIBLE FLAT CABLE	12P 260mm P=1.0		カード電線	
*	13	WK721000	FLEXIBLE FLAT CABLE	40P 80mm P=1.0		カード電線	
*	14	WK720900	FLEXIBLE FLAT CABLE	26P 80mm P=1.0		カード電線	
*	15	WK721500	FLEXIBLE FLAT CABLE	13P 160mm P=1.25		カード電線	
*	16	WK721400	FLEXIBLE FLAT CABLE	24P 80mm P=0.5	UCKAGEL	カード電線	
!	20	WB211800	POWER CABLE	1.8m	J	電源コード	
!	20	WB120500	POWER CABLE	2m	UC	電源コード	
!	20	WC753000	POWER CABLE	2m	K	電源コード	
!	20	WC743700	POWER CABLE	2m	A	電源コード	
!	20	WB212200	POWER CABLE	2m	B	電源コード	
!	20	WB212300	POWER CABLE	2m	GEL	電源コード	
!	20	WC992700	POWER CABLE	2m	V	電源コード	
*	22	V2438700	CORD STOPPER	10P1		コードストッパー	02
*	42	WK277500	SHEET P.C.B. L			シートP C B L	
*	43	WK570000	SHEET POWER DOWN			シートPOWER D	
*	46	WJ336000	BUTTON	3000, 30D		ボタン	
*	46	WK490300	BUTTON	7030		ボタン	
*	51	WJ315600	PLATE INPUT		J	プレートインプット	
*	51	WJ315700	PLATE INPUT		UC	プレートインプット	
*	51	WJ372700	PLATE INPUT		KGELV	プレートインプット	
*	51	WK510500	PLATE INPUT		A	プレートインプット	
*	51	WJ372600	PLATE INPUT		B	プレートインプット	
*	55	WK261200	REAR PANEL			リヤパネルC	
*	56	WK569900	SHEET POWER UP			シートPOWER U	
*	58	WK261600	PLATE HDMI		J	プレートH D M I	
*	58	WK261700	PLATE HDMI		UCKABGELV	プレートH D M I	
*	59	WK261300	REAR PANEL			リヤパネルL	
*	60	WK261400	REAR PANEL			リヤパネルR	
*	61	WJ315800	GRILLE NET ASS'Y			グリルネットA S S Y	
*	62	WJ314800	GRILLE FRONT	BL		フロントグリル	
*	62	WJ314700	GRILLE FRONT	SI		フロントグリル	
*	63	WK491000	PANEL SIDE SUB L	BL		パネルサイドサブ L	
*	63	WJ380200	PANEL SIDE SUB L	SI		パネルサイドサブ L	
*	64	WK491100	PANEL SIDE SUB R	BL		パネルサイドサブ R	
*	64	WJ380300	PANEL SIDE SUB R	SI		パネルサイドサブ R	
*	65	WJ316300	PANEL SIDE L	BL		パネルサイドL	

* New Parts * 新規部品

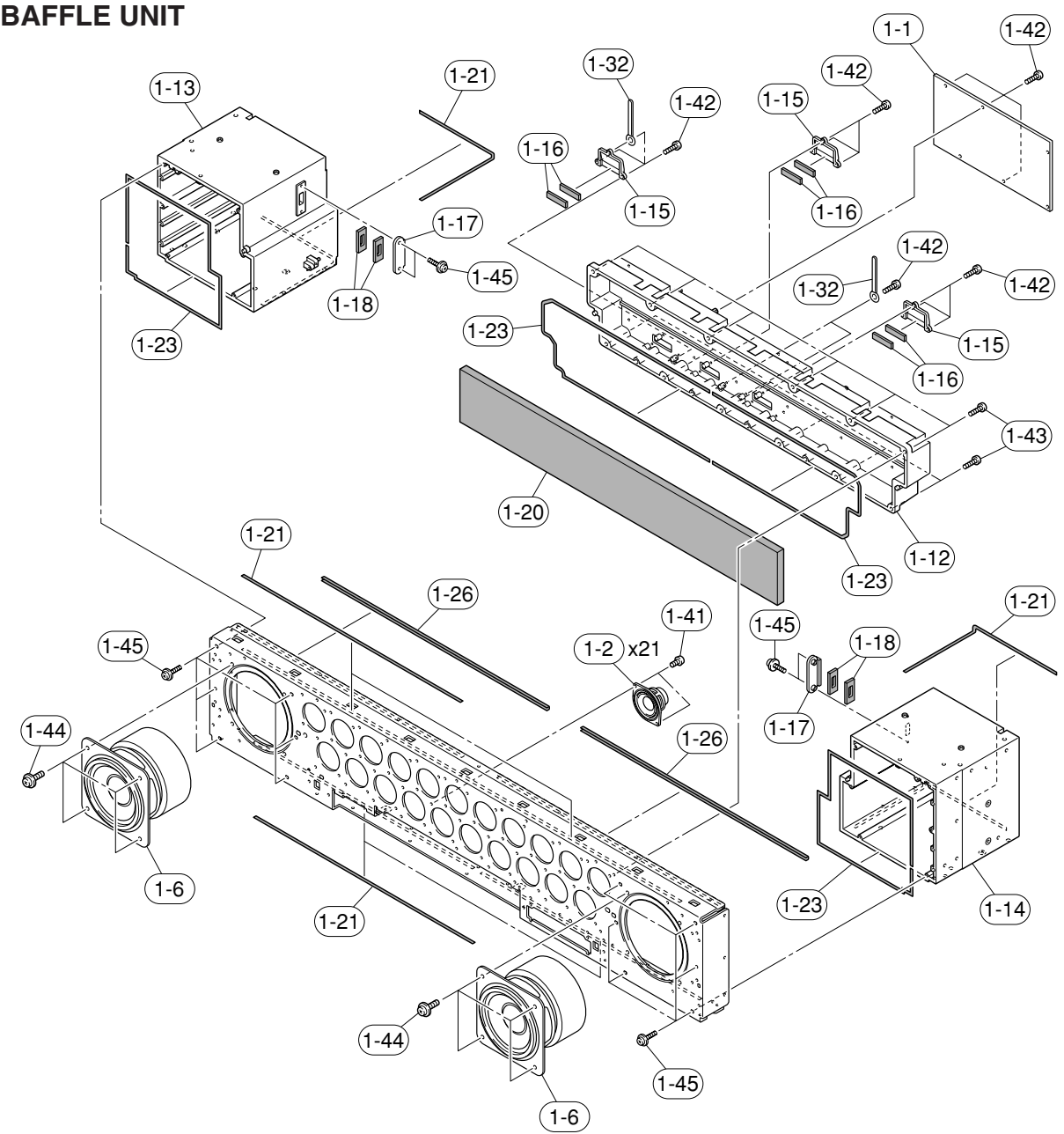
Ref No.	Part No.	Description	Remarks	Markets	部 品 名	ランク	
*	65	WJ316100	PANEL SIDE L	SI		パネルサイドL	
*	66	WJ316400	PANEL SIDE R	BL		パネルサイドR	
*	66	WJ316200	PANEL SIDE R	SI		パネルサイドR	
*	67	WJ315200	GRILLE BOTTOM F	3000, 30D		グリルボトムF	
*	67	WJ315300	GRILLE BOTTOM F	7030		グリルボトムF	
*	68	WJ459800	GRILLE BOTTOM L	3000, 30D		グリルボトムL	
*	68	WK490400	GRILLE BOTTOM L	7030		グリルボトムL	
*	69	WJ459900	GRILLE BOTTOM R	3000, 30D		グリルボトムR	
*	69	WK490500	GRILLE BOTTOM R	7030		グリルボトムR	
*	70	WG246400	LEG	D12 t=5		レッグ	01
*	71	WJ315500	WINDOW PANEL LID	3000	JUCKAGELV	ウインドウ	
*	71	WK563500	WINDOW PANEL LID		B	ウインドウ	
*	71	WK490600	WINDOW PANEL LID	7030	GE	ウインドウ	
*	72	V6034100	EMBLEM			エンブレム	03
*	73	WJ315400	TOP COVER		J	トップカバー	
*	73	WJ394100	TOP COVER		UC	トップカバー	
*	73	WJ373200	TOP COVER	3000	KAGELV	トップカバー	
*	73	WK490700	TOP COVER		B	トップカバー	
*	73	WK490800	TOP COVER	7030	GE	トップカバー	
*	76	WM237000	SHEET TOP			シートTOP	
*	91	WK570100	PACKING	8x355x1		パッキング	
*	92	WG125100	PACKING	4x105x1		パッキン	01
*	95	WG125200	PACKING	4x345x1		パッキン	01
*	101	WD397500	BINDING TIE	MSF-085		束線止め	01
*	102	WG432900	PUSH RIVET	P3535		プッシュリベット	01
*	103	WG205000	NUT	3/8 UNEF-32	B	ナット	
*	111	WF002600	PW HEAD B-TIGHT SCREW	3x8 MFZN2W3		PWヘッドBタイトネジ	01
*	112	WF268000	BIND HEAD P-TIGHT SCREW	3x10 MFZN2B3		バインドPタイトネジ	01
*	113	WE998100	BIND HEAD B-TIGHT SCREW	3x12 MFZN2B3		バインドBタイトネジ	01
*	114	WE936300	BIND HEAD B-TIGHT SCREW	3x6 MFZN2W3		バインドBタイトネジ	01
*	115	WG156300	FLAT HEAD B-TIGHT SCREW	3x10 MFZN2B3		皿Bタイトネジ	01
*	116	WE774100	BIND HEAD BONDING B-T. SCREW	3x8 MFZN2B3		ボンディングBタイトネジ	01
*	117	WE774400	BIND HEAD B-TIGHT SCREW	3x8 MFZN2B3		バインドBタイトネジ	01
*	118	WE774300	BIND HEAD B-TIGHT SCREW	3x8 MFZN2W3	7030	バインドBタイトネジ	01
*	119	WG348000	BIND HEAD S-TIGHT SCREW	3x4 MFZN2B3		バインドSタイトネジ	01
*			SERVICE TOOL				
*		MF404250	CRIMPING ASS'Y	4P 250mm		圧着A S S Y	

* New Parts * 新規部品

• ACCESSORIES



• Baffle Unit



Ref No.	Part No.	Description	Remarks	Markets	部品名	ランク	
*	200	WJ553200	REMOTE CONTROL	RRC4001-2914EM	J	リモコン	
*	200	WJ553400	REMOTE CONTROL	RRC4001-2916EM	UC	リモコン	
*	200	WJ553500	REMOTE CONTROL	RRC4001-2915EM	KAGELV	リモコン	
*	200	WJ553600	REMOTE CONTROL	RRC4001-2917EM	B	リモコン	
	200-1	AAX57560	BATTERY COVER	103RRS-141-07L		電池蓋	04
	202	V6267000	INDOOR FM ANTENNA		UCLV	F M簡易アンテナ	03
	202	V0147100	INDOOR FM ANTENNA		KAGE	F M簡易アンテナ	02
	203	WG299500	VIDEO PIN CABLE			ビデオ用ピンケーブル	04
	204	WG290200	AUDIO PIN CABLE			ステレオピンケーブル	04
	205	WG299600	DIGITAL AUDIO PIN CABLE			デジタル音声ピンケーブル	04
	206	WE818100	OPTICAL CABLE			光ファイバケーブル	06
	207	WE785900	CABLE CLIP			ケーブル押さえ	02
	208	WE812400	FASTENER			固定テープ	09
	209	WD526800	INTELLIBEAM MICROPHONE			インテリビームマイク	09
	210	WG225700	CARDBOARD MICROPHONE STAND			簡易マイクスタンド	04
*	211	X9057A00	DVD-ROM		J	D V D - R O M	
*	211	X9280A00	DVD-ROM		UCKABGELV	D V D - R O M	
*	212	WK830700	DAB WIRE ANTENNA BATTERY		B	D A Bワイヤアンテナ 単3乾電池	

Ref No.	Part No.	Description	Remarks	Markets	部品名	ランク
*	1-1	WK686300	P.C.B. ASS'Y	AMP	P C B AMP	
*	1-2	AAX83860	DRIVER TWEETER	4cm 4Ω	C040A01Y1100	スピーカーユニット
*	1-2	AAX83870	DRIVER TWEETER	4cm 4Ω	C040A01Y1101	スピーカーユニット
*	1-6	X8611A00	DRIVER WOOFER	10cm 4Ω		スピーカーユニット
*	1-12	WJ315100	CABINET ARRAY			キャビネット アレイ
*	1-13	WJ314900	CABINET WL			キャビネット WL
*	1-14	WJ315000	CABINET WR			キャビネット WR
*	1-15	WJ317000	STOPPER WIRE			ストッパーワイヤ
*	1-16	WJ316800	DAMPER STOPPER ARRAY			ダンパーストッパー
*	1-17	WJ316900	STOPPER WIRE WL/WR			ストッパーワイヤ
*	1-18	WJ316600	DAMPER STOPPER WL/WR			ダンパーストッパー
*	1-20	WG141000	ABSORBER	72x500x10		アブソーバ
*	1-21	WG125200	PACKING	4x345x1		パッキン
*	1-23	WJ317400	PACKING	4x580x1		パッキン
*	1-26	WK570100	PACKING	8x355x1		パッキン
*	1-32	WD397500	BINDING TIE	MSF-085		束線止め
*	1-41	WG348000	BIND HEAD S-TIGHT SCREW	3x4 MFZN2B3		バインドSタイトネジ
*	1-42	WF268000	BIND HEAD P-TIGHT SCREW	3x10 MFZN2B3		バインドPタイトネジ
*	1-43	WE998100	BIND HEAD B-TIGHT SCREW	3x12 MFZN2B3		バインドBタイトネジ
*	1-44	WH924700	PW HEAD S-TIGHT SCREW	4x8 MFZN2B3		P WヘッドSタイトネジ
*	1-45	WK909400	PW HEAD P-TIGHT SCREW	3x12-8 MFZN2B3		P WヘッドPタイトネジ

1 • SERVICE TOOL

2

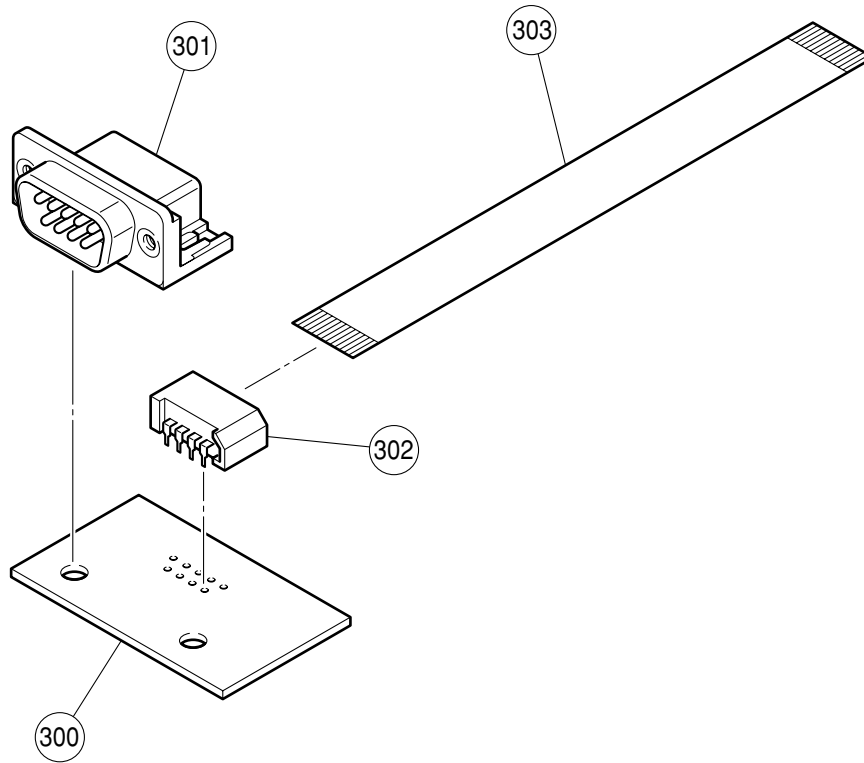
3

4

5

6

7



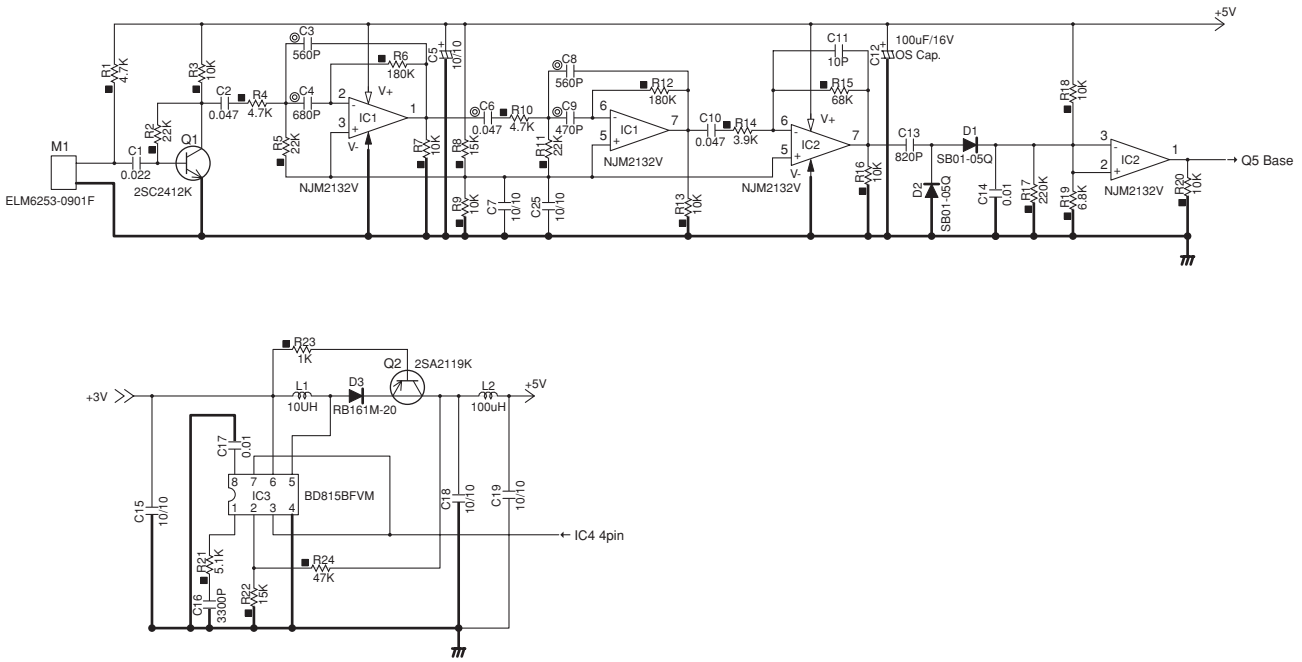
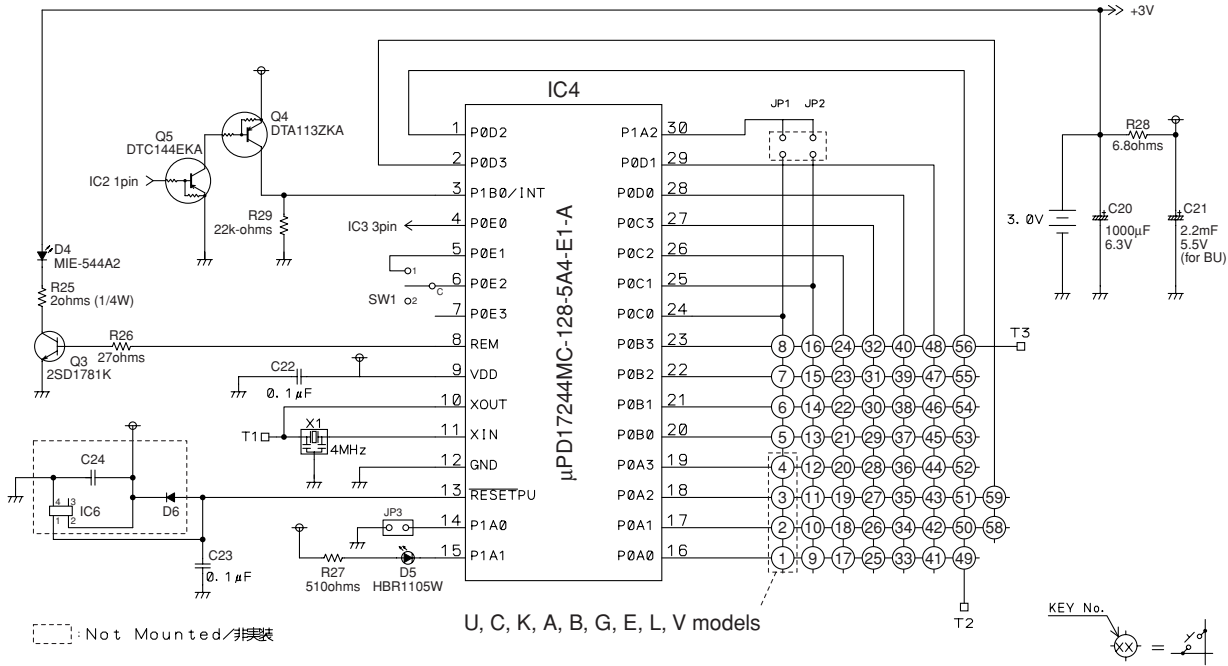
Ref No.	Part No.	Description	Remarks	Markets	部 品 名	ランク
300	AAX74420	P. C. B.	RS-232C	YSP800-RS232C	P C B R S 2 3 2 C	07
301	V6509500	SOCKET CONNECTOR	9P SE 3170		コネクターソケット	04
302	VQ044400	CONNECTOR BASE PIN	9P		F F Cコネクター	01
303	MF109140	FLEXIBLE FLAT CABLE	9P 140mm P=1.25		カード電線	01

REMOTE CONTROL

SCHEMATIC DIAGRAM

<JP1 · JP2>

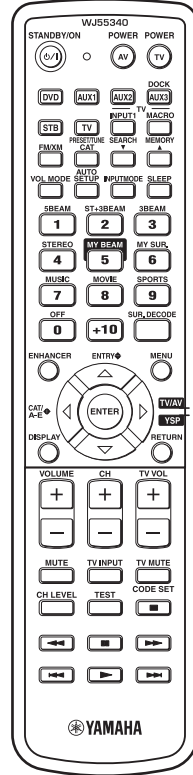
	20	40	50	60
JP1	○	x	x	x
JP2	x	x	x	x
J model	U, C, K, A, B, G, E, L, V models			



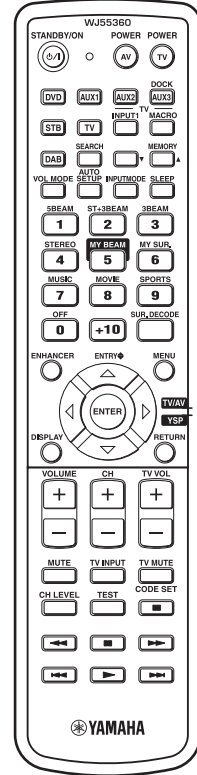
YSP-3000/YSP-30D/
HTY-7030

• PANELS

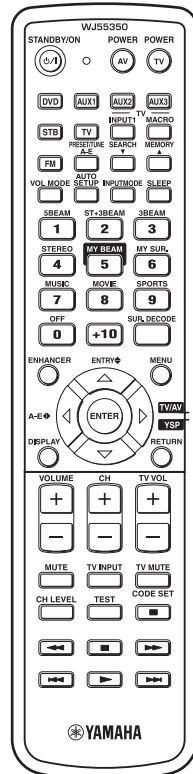
YSP-3000
(U, C models)



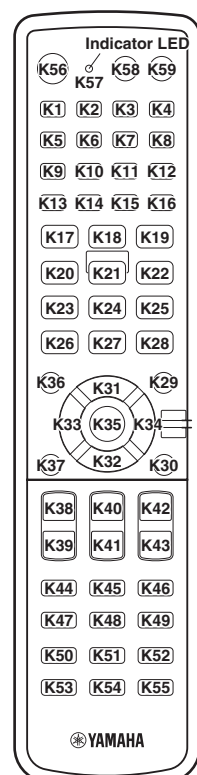
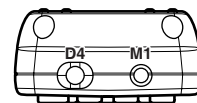
YSP-30D
(B model)



YSP-3000
(K, A, G, E, L models)
HTY-7030
(G, E models)



Key layout



• KEY CODE

Key no.	Label			YSP	Operation at SW1=ON (TV/AV mode)									
	U, C models	T, K, A, G, E, L, V models	B model		6	5	1	2	3	4	9			
K1		DVD		78-4A	78-4A is transmitted.									
K2		AUX1		78-49	78-49 is transmitted.									
K3		AUX2		78-DE	78-DE is transmitted.									
K4	AUX3 / DOCK	AUX3	AUX3 / DOCK	78-BC	78-BC is transmitted.									
K5		STB		78-DF	78-DF is transmitted.									
K6		TV		78-DF	78-DF is transmitted.									
K9	FM/XM	FM	DAB	78-4B	78-4B is transmitted.									
					TV		STB	DVD	AUX1	AUX2	AUX3	<FM/XM>		
					FIX/TV		Free	Free	Free	Free	YAMAHA	YAMAHA		
					H 206		Excluding 206	* 1	P1 699	M 399	P2 748	* 2	* 2	
					K13 BS	K14 CS	K15 DIGITAL	K16 ANALOG				New	New	
K7		TV INPUT1		→	→	→	50-21	←	←	←	←	←	←	
K8		TV MACRO		(-)	→	→	→	→	→	→	→	→	→	
K10	PRESET/TUNE / CAT	PRESET/TUNE / A-E	SEARCH	78-1D	-	-	-	-	-	-	-	-	78-A8	
K11		SEARCH ▼		78-1C	-	-	-	-	-	-	-	-	78-B7	
K12		MEMORY ▲	MEMORY	78-1B	-	-	-	-	-	-	-	-	78-B2	
K13		VOL MODE		78-8A	→	→	56-49	←	←	BS	-	BS	-	
K14		AUTO SETUP		78-A3	→	→	56-4C	←	←	CS	-	CS	-	
K15		INPUT MODE		78-8D	→	→	56-4A	←	←	Digital tuner	-	Digital tuner	-	
K16		SLEEP		78-4F	→	→	50-0A	←	←	Analog tuner	-	Analog tuner	-	
K17		1 / 5BEAM		78-C2	56-0D	56-61	56-71	50-0D	←	"1"	"1"	"1"	"1"	78-11
K18		2 / ST+3BEAM		78-C3	56-0E	56-62	56-72	50-0E	←	"2"	"2"	"2"	"2"	78-12
K19		3 / 3BEAM		78-C4	56-0F	56-63	56-73	50-0F	←	"3"	"3"	"3"	"3"	78-13
K20		4 / STEREO		78-50	56-1C	56-64	56-74	50-1C	←	"4"	"4"	"4"	"4"	78-14
K21		5 / MY BEAM		78-C5	56-1D	56-65	56-75	50-1D	←	"5"	"5"	"5"	"5"	78-15
K22		6 / MY SUR.		78-C6	56-1E	56-66	56-76	50-1E	←	"6"	"6"	"6"	"6"	78-16
K23		7 / MUSIC		78-DA	56-1F	56-67	56-77	50-1F	←	"7"	"7"	"7"	"7"	78-17
K24		8 / MOVIE		78-D9	56-04	56-68	56-78	50-04	←	"8"	"8"	"8"	"8"	78-18
K25		9 / SPORTS		78-D8	56-05	56-69	56-79	50-05	←	"9"	"9"	"9"	"9"	78-19
K26		0 / OFF		78-98	56-0C	56-60	56-70	50-06	←	"10" / "0"	"0"	"10" / "0"	"0"	78-10
K27		+10		78-A5	56-06	56-6A	56-7A	50-07	←	"11" / "+10"	-	"11" / "+10"	-	-
K28		SUR. DECODE		78-99	56-07	56-6B	56-7B	50-0C	←	"12" / "-"	-	"12" / "-"	-	-
K29		MENU		78-9D	→	→	50-53	←	←	MENU ("MENU")	-	MENU	-	7F01-0F 78-3F
K30		RETURN		78-C0	→	→	50-A3	←	←	RETURN	-	RETURN	-	7F01-13 78-BF
K31		▲ (UP) / ENTRY ◆		78-8E	→	→	50-70	←	←	↑	↑	↑	↑	7F01-0E 78-AA
K32		▼ (DOWN)		78-8F	→	→	50-71	←	←	↓	↓	↓	↓	7F01-14 78-A9
K33	◀ (LEFT) / CAT/A-E (LEFT/RIGHT)	◀ (LEFT) / A-E (LEFT/RIGHT)	◀ (LEFT)	78-9F	→	→	50-73	←	←	←	←	←	←	7F01-10 78-BB
K34		▶ (RIGHT)		78-9E	→	→	50-72	←	←	→	→	→	→	7F01-12 78-1D
K35		ENTER		78-C1	→	→	50-33	←	←	ENTER ("SELECT")	"SELECT"	ENTER	ENTER	7F01-11 78-BD
K36		ENHANCER		78-CB	→	→	56-41	←	←	Program guide	-	Program guide	-	-
K37		DISPLAY		78-4E	→	→	56-32	←	←	-	-	Channel list	-	7F01-15 78-B8
K38		VOLUME +		78-1E	←	←	←	←	←	←	←	←	←	←
K39		VOLUME -		78-1F	←	←	←	←	←	←	←	←	←	←
K40		CH +		→	→	→	50-19	←	←	"CH UP"	"CH UP"	"CH UP"	"CH UP"	"CH UP"
K41		CH -		→	→	→	50-18	←	←	"CH DOWN"	"CH DOWN"	"CH DOWN"	"CH DOWN"	"CH DOWN"
K42		TV VOL +		→	→	→	50-12	←	←	TV "VOL UP"	TV VOL +	←	←	←
K43		TV VOL -		→	→	→	50-15	←	←	TV "VOL DOWN"	TV VOL -	←	←	←
K44		MUTE		78-9C	→	→	←	←	←	←	←	←	←	←
K45		TV INPUT		→	→	→	50-09	←	←	TV "INPUT SEL"	TV INPUT	←	←	←
K46		TV MUTE / CODE SET		→	→	→	50-0B	←	←	TV "MUTE"	The preset of TV, DVD, and AUX1/2 is set. Effective of the state of SW1.	←	←	←
K47		CH LEVEL		78-48	→	→	50-A4	←	←	-	-	HDD	-	-
K48		TEST		78-5F	→	→	50-AC	←	←	-	-	DVD	-	-
K49		■ (STOP)		→	→	→	56-23	←	←	-	-	STOP	STOP	7F01-1D -
K50		⏮ (REW)		→	→	→	56-21	←	←	-	-	REW	REW	7F01-17 -
K51		⏸ (PAUSE)		→	→	→	56-24	←	←	-	-	Pause	Pause	7F01-1A -
K52		⏭ (FF)		→	→	→	56-22	←	←	-	-	FF	FF	7F01-18 -
K53		⏪ (PLAY)		→	→	→	56-30	←	←	-	-	PLAY	PLAY	7F01-1B -
K54		▶ (PLAY)		→	→	→	56-20	←	←	-	-	PLAY	PLAY	7F01-1E -
K55		⏩ (EJECT)		→	→	→	56-37	←	←	-	-	PLAY	PLAY	7F01-1C -
K56		STANDBY/ON		78-CC	←	←	←	←	←	←	←	←	←	←
K57		Indicator LED												
K58		AV / POWER		→	→	→	-	←	←	-	-	POWER	POWER	POWER
K59		TV / POWER		→	→	→	50-17	←	←	50-17	50-17	50-17	TV POWER	←

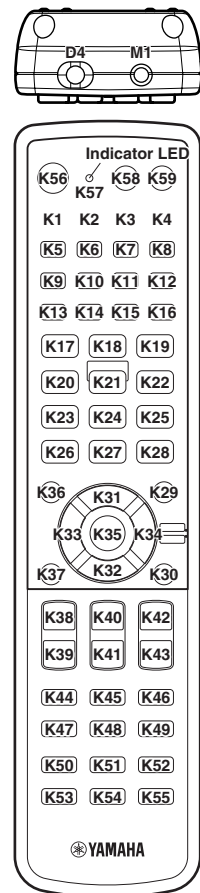
* 1: There is no setting. * 2: The preset is not possible.

● PANEL

YSP-3000
(J model)



Key layout



TV/AV
↓
YSP
スライドスイッチ

● KEY CODE

Key no.	ラベル	YSP	SW1=ON 時の動作 (TV/AV mode)											
	J model		10 テレビ					9 チューナー	5 DVD	6 AUX1	7 AUX2	8 AUX3		
			FIX/TV					Free	Free	Free	Free	YAMAHA		
			H 206					設定なし	P1 699	M 399	P2 748	プリセット不可		
			K13 BS	K14 CS	K15 デジタル	K16 アナログ	206 以外					新設		
K1	—													
K2	—													
K3	—													
K4	—													
K5	DVD	78-4A												
K6	AUX1	78-49												
K7	AUX2	78-DE												
K8	AUX3	78-BC												
K9	チューナー / BS	78-DF												
K10	テレビ / CS	78-DF												
K11	テレビ 入力1 / 地デジ	→	→	→	50-21	←	INPUT1	←	←	←	←	←	←	←
K12	テレビ マクロ / 地アナ	(—)	→	→	—	←	—	←	←	←	←	←	←	←
K13	音量モード	78-8A	→	→	56-49	←	BS	←	BS	←	←	←	←	←
K14	自動設定	78-A3	→	→	56-4C	←	CS	←	CS	←	←	←	←	←
K15	入力モード	78-8D	→	→	56-4A	←	地デジ	←	地デジ	←	←	←	←	←
K16	スリープ	78-4F	→	→	50-0A	←	地アナ	←	地アナ	←	←	←	←	←
K17	1 / 5 ビーム	78-C2	56-0D	56-61	56-71	50-0D	“1”	“1”	“1”	“1”	“1”	“1”	“1”	“1”
K18	2 / ST+3 ビーム	78-C3	56-0E	56-62	56-72	50-0E	“2”	“2”	“2”	“2”	“2”	“2”	“2”	“2”
K19	3 / 3 ビーム	78-C4	56-0F	56-63	56-73	50-0F	“3”	“3”	“3”	“3”	“3”	“3”	“3”	“3”
K20	4 / ステレオ	78-50	56-1C	56-64	56-74	50-1C	“4”	“4”	“4”	“4”	“4”	“4”	“4”	“4”
K21	5 / マイビーム	78-C5	56-1D	56-65	56-75	50-1D	“5”	“5”	“5”	“5”	“5”	“5”	“5”	“5”
K22	6 / マイサラウンド	78-C6	56-1E	56-66	56-76	50-1E	“6”	“6”	“6”	“6”	“6”	“6”	“6”	“6”
K23	7 / 音楽	78-DA	56-1F	56-67	56-77	50-1F	“7”	“7”	“7”	“7”	“7”	“7”	“7”	“7”
K24	8 / 映画	78-D9	56-04	56-68	56-78	50-04	“8”	“8”	“8”	“8”	“8”	“8”	“8”	“8”
K25	9 / スポーツ	78-D8	56-05	56-69	56-79	50-05	“9”	“9”	“9”	“9”	“9”	“9”	“9”	“9”
K26	10/0 / オフ	78-98	56-0C	56-60	56-70	50-06	“10” / “0”	“0”	“10” / “0”	“0”	“0”	“0”	“0”	“0”
K27	11/+10 / D音声多重	78-A5	56-06	56-6A	56-7A	50-07	“11” / “+10”	-	“11” / “+10”	-	-	-	-	-
K28	12 / デコーダ	78-99	56-07	56-6B	56-7B	50-0C	“12” / “-”	-	“12” / “-”	-	-	-	-	-
K29	メニュー	78-9D	→	→	50-53	←	メニュー	(“MENU”)	“MENU”	←	←	←	←	7F01-0F
K30	戻る	78-C0	→	→	50-A3	←	戻る	←	“RETURN”	←	←	←	←	7F01-13
K31	▲	78-8E	→	→	50-70	←	“↑”	“↑”	“↑”	←	←	←	←	7F01-0E
K32	▼	78-8F	→	→	50-71	←	“↓”	“↓”	“↓”	←	←	←	←	7F01-14
K33	◀	78-9F	→	→	50-73	←	“←”	“←”	“←”	←	←	←	←	7F01-10
K34	▶	78-9E	→	→	50-72	←	“→”	“→”	“→”	←	←	←	←	7F01-12
K35	決定	78-C1	→	→	50-33	←	決定	(“SELECT”)	“SELECT”	←	←	←	←	7F01-11
K36	EPG / エンハンサー	78-CB	→	→	56-41	←	番組表	←	番組表	←	←	←	←	←
K37	録画番組表示	78-4E	→	→	56-32	←	←	←	番組リスト	←	←	←	←	7F01-15
K38	音量 +	78-1E	←	←	←	←	←	←	←	←	←	←	←	←
K39	音量 -	78-1F	←	←	←	←	←	←	←	←	←	←	←	←
K40	チャンネル +	→	→	→	50-19	←	“CH UP”	“CH UP”	“CH UP”	“CH UP”	“CH UP”	“CH UP”	“CH UP”	←
K41	チャンネル -	→	→	→	50-18	←	“CH DOWN”	“CH DOWN”	“CH DOWN”	“CH DOWN”	“CH DOWN”	“CH DOWN”	“CH DOWN”	←
K42	テレビ音量 +	→	TV “VOL UP”		50-12	←	TV VOL +	←	←	←	←	←	←	←
K43	テレビ音量 -	→	TV “VOL DOWN”		50-15	←	TV VOL -	←	←	←	←	←	←	←
K44	消音	78-9C	←	←	←	←	←	←	←	←	←	←	←	←
K45	テレビ入力切替	→	TV “INPUT SEL”		50-09	←	TV INPUT	←	←	←	←	←	←	←
K46	テレビ消音 / コードセット	→	TV “MUTE”		50-0B	←	←	←	←	←	←	←	←	←
			TV, DVD, AUX1 / 2 のプリセット設定を行う SW1 の状態に関わらず有効とする											
K47	レベル / HDD	78-48	→	→	50-A4	←	←	←	HDD	←	←	←	←	←
K48	テスト / DVD	78-5F	→	→	50-AC	←	←	←	DVD	←	←	←	←	←
K49	■ (STOP)	→	→	→	56-23	←	←	←	STOP	STOP	←	←	←	7F01-1D
K50	◀◀ (REW)	→	→	→	56-21	←	←	←	REW	REW	←	←	←	7F01-17
K51	▬▬ (PAUSE)	→	→	→	56-24	←	←	←	Pause	Pause	←	←	←	7F01-1A
K52	▶▶ (FF)	→	→	→	56-22	←	←	←	FF	FF	←	←	←	7F01-18
K53	◀◀ (PLAY)	→	→	→	56-30	←	←	←	◀◀	←	←	←	←	7F01-1B
K54	▶▶ (PLAY)	→	→	→	56-20	←	←	←	▶▶	▶▶	←	←	←	7F01-1E
K55	▶▶▶	→	→	→	56-37	←	←	←	▶▶▶	←	←	←	←	7F01-1C
K56	電源	78-CC	←	←	←	←	←	←	←	←	←	←	←	←
K57	インジケータLED													
K58	AV / 電源	→	→	→	←	←	←	←	POWER	POWER	POWER	POWER	←	←
K59	TV / 電源	→	TV “POWER”	50-17	50-17	50-17	TV POWER	←	←	←	←	←	←	←

Adjusting the system parameters

This unit has additional menus that are displayed in the front panel display. These menus offer additional operations to adjust and customize the way this unit operates.

Note

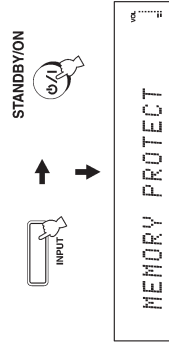
When "FPANEL KEY" is set to "FPANEL: OFF", STANDBY/ON on the front panel is ineffective. Use STANDBY/ON on the remote control instead to adjust the system parameters.

Using the system parameters

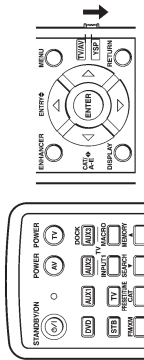
Follow the procedure below to enter the system parameters.

- Press and hold **INPUT** on the front panel and press **STANDBY/ON** on the remote control to turn on the power of this unit.

"MEMORY PROTECT" is displayed in the front panel display.



- Release **INPUT** on the front panel.



(U.S.A. and Canada models)

- Press **STANDBY/ON** on the remote control to turn off the power of this unit.



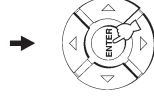
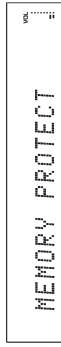
Setting the MEMORY PROTECT

You can protect the settings you saved in the system memory of this unit from being accidentally erased or unwantedly changed.

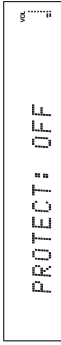
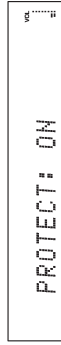
- Repeat steps 1 to 3 in "Using the system parameters" on this page.
- Set the operation mode selector to YSP.



- Confirm that "MEMORY PROTECT" is displayed in the front panel display and press **ENTER**.



- Press **ENTER** to switch between "PROTECT: ON" and "PROTECT: OFF".



- Select **PROTECT: ON** to activate the protection feature.
- Select **PROTECT: OFF** to deactivate the protection feature.

- Press **STANDBY/ON** on the remote control to set this unit to the standby mode.

STANDBY/ON



The new setting will be activated when you turn on the power of this unit next time.

ADVANCED OPERATION

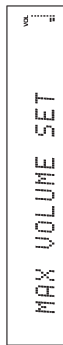
English

Adjusting the system parameters

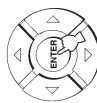
Setting the MAX VOLUME

You can set the maximum volume level so that this unit will not output sound beyond the limited volume level.

- 1 Repeat steps 1 to 3 in "Using the system parameters" on page 88.
- 2 Set the operation mode selector to YSP.
- 3 Press Δ / ∇ so that "MAX VOLUME SET" is displayed in the front panel display.



- 4 Press ENTER.



- 5 Press \triangleleft / \triangleright to adjust the maximum volume level.



Control range: MAX, 99 to 01, MIN
Control step: 1

- 6 Press STANDBY/ON on the remote control to set this unit to the standby mode.

STANDBY/ON



The new setting for the maximum volume level will be activated when you turn on the power of this unit next time.

Setting the TURN ON VOLUME

You can set the initial volume level when the power of this unit is turned on.

- 1 Repeat steps 1 to 3 in "Using the system parameters".
- 2 Set the operation mode selector to YSP.

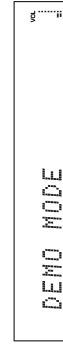


Adjusting the system parameters

Setting the DEMO MODE

You can test the sound beam output from this unit to experience the sound beam.

- 1 Repeat steps 1 to 3 in "Using the system parameters".
- 2 Set the operation mode selector to YSP.
- 3 Press Δ / ∇ so that "DEMO MODE" is displayed in the front panel display.



- 5 Press \triangleleft / \triangleright to adjust the initial volume level.



Control range: MAX, 99 to 01, OFF
Control step: 1

- 6 Press STANDBY/ON on the remote control to set this unit to the standby mode.

STANDBY/ON



The new setting for the maximum volume level will be activated when you turn on the power of this unit next time.

Adjusting the system parameters

Disabling the front panel keys

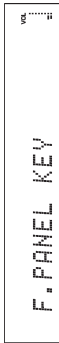
You can disable the front panel keys except when you adjust the system parameters.

1 Repeat steps 1 to 3 in "Using the system parameters".

2 Set the operation mode selector to YSP.



3 Press Δ / ∇ so that "F.PANEL KEY" is displayed in the front panel display.



Adjusting the system parameters

Setting the PANEL INPUT KEY

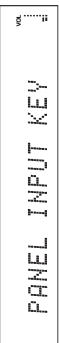
You can disable the INPUT on the front panel when you adjust the system parameters.

1 Repeat steps 1 to 3 in "Using the system parameters".

2 Set the operation mode selector to YSP.



3 Press Δ / ∇ so that "PANEL INPUT KEY" is displayed in the front panel display.



Adjusting the system parameters

Setting the PANEL INPUT KEY

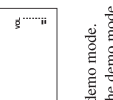
You can disable the INPUT on the front panel when you adjust the system parameters.

1 Repeat steps 1 to 3 in "Using the system parameters".

2 Set the operation mode selector to YSP.



3 Press Δ / ∇ so that "PANEL INPUT KEY" is displayed in the front panel display.



Disabling the front panel keys

You can disable the front panel keys except when you adjust the system parameters.

1 Repeat steps 1 to 3 in "Using the system parameters".

2 Set the operation mode selector to YSP.



3 Press Δ / ∇ so that "F.PANEL KEY" is displayed in the front panel display.



- Select F.INPUT: ON to enable the INPUT key on the front panel.
- Select F.INPUT: OFF to disable the INPUT key on the front panel. "F.PANEL KEY" is automatically set to "ON".

5 Press STANDBY/ON on the remote control to set this unit to the standby mode.

STANDBY/ON



The new setting will be activated when you turn on the power of this unit next time.

Setting the DEMO: ON/OFF

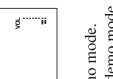
You can activate the demo mode when you adjust the system parameters.

1 Repeat steps 1 to 3 in "Using the system parameters".

2 Set the operation mode selector to YSP.



3 Press Δ / ∇ so that "DEMO: ON/OFF" is displayed in the front panel display.



- Select DEMO: ON to activate the demo mode.
- Select DEMO: OFF to deactivate the demo mode.

5 Press STANDBY/ON on the remote control to set this unit to the standby mode.

STANDBY/ON



The new setting will be activated when you turn on the power of this unit next time.
Press ENTER to test the sound beam.
The sound beam being output shuttles between left and right. Press ENTER again to stop shuttling.

Setting the FACTORY PRESET

You can reset all of the parameters of this unit to the factory presets. This procedure completely resets ALL the parameters in SET MENU.

Note

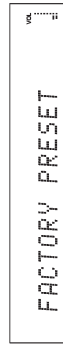
After performing the following procedure you must run AUTO SETUP again to match your surround sound environment.

1 Repeat steps 1 to 3 in "Using the system parameters".

2 Set the operation mode selector to YSP.



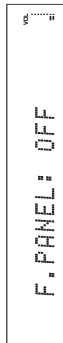
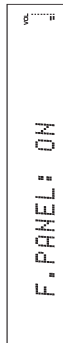
3 Press Δ / ∇ so that "FACTORY PRESET" is displayed in the front panel display.



4 Press ENTER.



4 Press Δ / ∇ to switch between "F.PANEL: ON" and "F.PANEL: OFF".



- Select F.PANEL: ON to enable the front panel keys.
- Select F.PANEL: OFF to disable the front panel keys. "PINPUT" is automatically set to "ON".

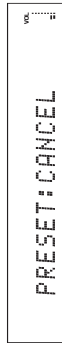
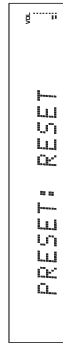
5 Press STANDBY/ON on the remote control to set this unit to the standby mode.

STANDBY/ON



The new setting will be activated when you turn on the power of this unit next time.

5 Press Δ / ∇ to switch between "PRESET: RESET" and "PRESET: CANCEL".



- Select PRESET: RESET to reset all of the current settings.
- Select PRESET: CANCEL to cancel the resetting procedure.

6 Press STANDBY/ON on the remote control to set this unit to the standby mode.

STANDBY/ON



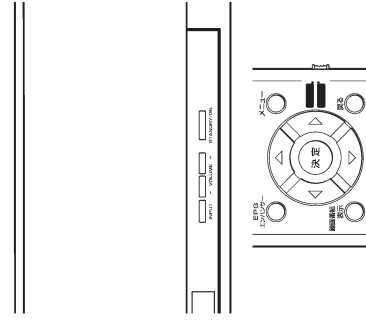
The new setting will be activated when you turn on the power of this unit next time.

拡張メニューを設定する

各種設定を保護したり、工場出荷状態に戻したりします。

● 拡張メニューの操作手順

拡張メニューの操作について説明します。



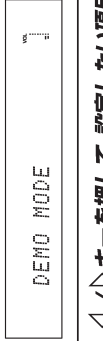
4 TV/AV/YSPスイッチをYSP側にスライドさせる

リモコンがYSPモードに切り替わります。

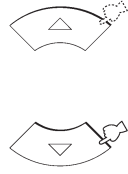
5 △/▽キーを押して、設定したいメニューをフロントパネルディスプレイに表示させ、決定キーを押す



表示例：[DEMO MODE]を選んだ場合



6 ◀/▶キーを押して、設定したい項目/指定したい値をフロントパネルディスプレイに表示させる



表示例：手順5で[DEMO MODE]を選んだ場合
DEMO: OFF ↔ DEMO: ON

7 STANDBY/ONキーを押して、電源をスタンバイにする

再度STANDBY/ONキーを押して電源を入れると、設定されます。



1 本機の電源をオフ(スタンバイ)にする



2 本体のINPUTキーを押しながら、STANDBY/ONキーを押して電源を入れる

フロントパネルディスプレイに[MEMORY PROTECT]と表示されます。



押しながら



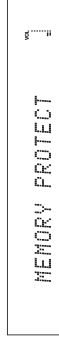
3 INPUTキーをはなす



拡張メニューを設定する

● メニューの設定内容を保護する

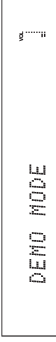
メモリー保存した設定の内容を変更できないようにします。「拡張メニューの操作手順」の手順5で[MEMORY PROTECT]を表示させ、手順6で[PROTECT: ON](設定内容を保護したい場合)を選択してください。



選択項目：
PROTECT: OFF, PROTECT: ON

● デモモードで再生する

デモモードでは、ビーム化された音声を1チャンネルで出力し、水平に動作(スリープ)させます。これにより、本機からビームがどのよう出力されているか体感できます。「拡張メニューの操作手順」の手順5で[DEMO MODE]を表示させ、手順6で[DEMO: ON](デモモードで再生したい場合)を選択してください。



選択項目：
DEMO: OFF, DEMO: ON

● 音量の最大値を設定する

本機の音量を、指定した値より大きくできないように設定します。「拡張メニューの操作手順」の手順5で[MAX VOLUME SET]を表示させ、手順6で値を設定してください。



調整範囲：
MIN(最小)、01~99、MAX(最大)

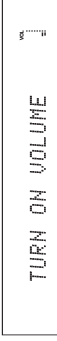
*ヒント

拡張メニューの[DEMO MODE]オン/オフにかかわらず、本機から出力されるテスト音をスリープさせることもできます。

テスト音をスリープさせるには、本体のINPUTキーを2秒以上押ししてください。スリープは自動的に終了します。

● 電源を入れたときの音量を固定する

本機の電源をオンにしたときの音量を、常に指定した値になるように設定します。「拡張メニューの操作手順」の手順5で[TURN ON VOLUME]を表示させ、手順6で値を設定してください。

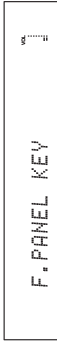


調整範囲：
OFF、01~99、MAX(最大)

拡張メニューを設定する

● フロントパネルキー操作を無効にする

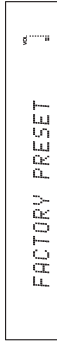
拡張メニュー以外の操作をフロントパネルキーでできないようにします。「拡張メニューの操作手順」の手順5で[F.PANEL KEY]を表示させ、手順6で[F.PANEL: OFF](フロントパネルキー操作を無効にしたい場合)を選択してください。



調整範囲：
F.PANEL:ON、F.PANEL:OFF

● 設定した内容を初期化する

各種設定をすべて工場出荷状態に戻します。「拡張メニューの操作手順」の手順5で[FACTORY PRESET]を表示させ、手順6で[RESET: RESET](工場出荷時の状態に戻したい場合)を選択してください。



選択項目：
PRESET: CANCEL、PRESET: RESET

本機について

設置・接続する

準備する

設定する

基本操作

高度操作

付録

本機について

設置・接続する

準備する

設定する

基本操作

高度操作

付録

**YSP-3000/YSP-30D/
HTY-7030**

